

04.6-MDI-3N1P-R = 3' CENTER + (1) PARTIAL-RADIUS END

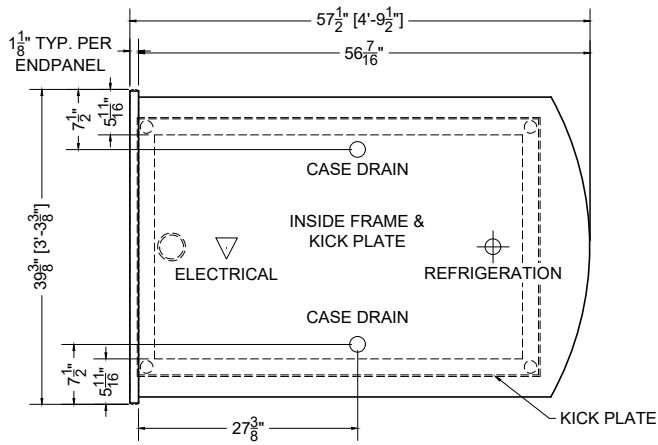
PLACID

QTY	DESCRIPTION	PART NUMBER	VOLTAGE	PHASE	AMPS	TOTAL AMPS
2	12" LED 3500K, FROSTED, 24V	LG-FX-XXX-X	115V	1	0.02	0.04
2	18" LED 3500K, FROSTED, 24V	LG-FX-XXX-X	115V	1	0.03	0.06
4	34" LED 3500K, FROSTED, 24V	LG-FX-XXX-X	115V	1	0.07	0.28
2	40" LED 3500K, FROSTED, 24V	LG-FX-XXX-X	115V	1	0.08	0.16
6	EVAPORATOR FAN	AFXXX	115V	1	0.24	1.44

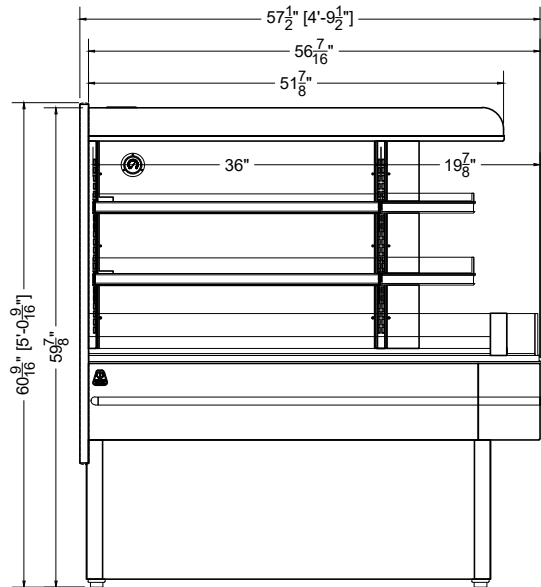
CIRCUIT#1 (LIGHTS) TOTAL AMPS:0.54 VOLTAGE:115/1/60 CONNECTION:HARDWIRED
 CIRCUIT#2 (FANS) TOTAL AMPS:1.44 VOLTAGE:115/1/60 CONNECTION:HARDWIRED
 MODEL:MDI-3N APPLICATION:DELI BTUH:7200 EVAP TEMP: 20°F
 DEFROST: TIME-OFF, 4/40MIN, 47° TEMP TERMINATION
 SHIPPING DIMENSIONS: 72" X 48" X 72"
 WEIGHT: 750 LBS

PACKOUT VOLUME: 17.77 CUBIC FT.
 INTERNAL VOLUME: 24.01 CUBIC FT.

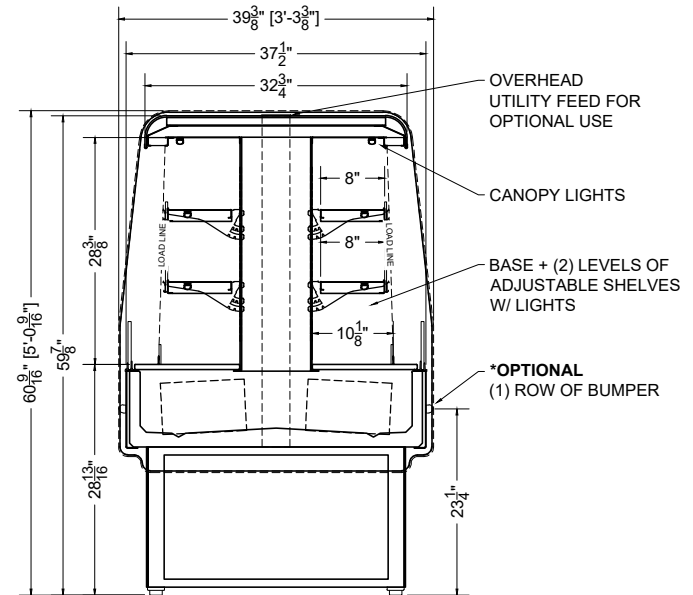
CONFORMS TO UL STD 471.
 CONFORMS TO NSF STD 7.
 CERTIFIED TO CAN/CSA STD
 C22.2 NO. 120.



PLAN MECHANICAL VIEW



SIDE VIEW



SECTION VIEW

PROJ SPECIFICATION SHEET

Des 04.6-MDI-3N1P-R - (1) Partial-Radius End

Name AME Dwg# 038454 Rev #02- 05/14/24

CONFIDENTIAL DOCUMENT: THIS DRAWING IS CONFIDENTIAL AND THE PROPERTY OF SOUTHERN CASEARTS, INC AND IS NOT TO BE REPRODUCED OR EXCHANGED WITH ANY OTHER PERSON OR COMPANY WITHOUT THE EXPRESS WRITTEN CONSENT OF SOUTHERN CASEARTS, INC.

COPYRIGHT ©2023 SOUTHERN CASEARTS, INC. ALL RIGHTS RESERVED

1/2" = 1'

DRAWING DETAILS SUBJECT TO CHANGE DURING THE ENGINEERING PROCESS



SOUTHERN CaseArts