

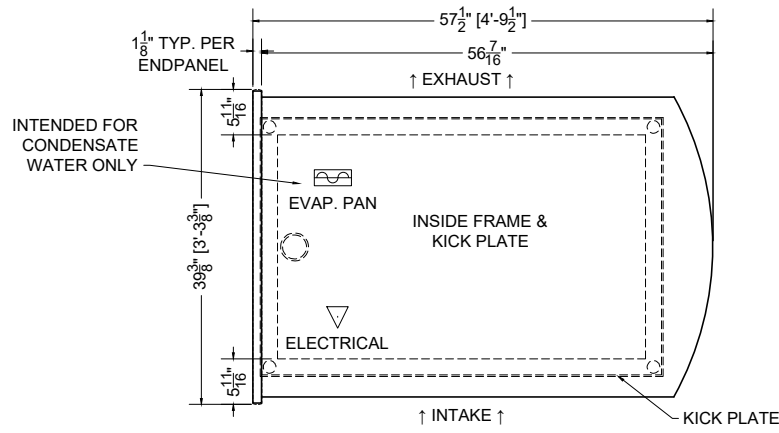
04.6-MDI-3N1P-S = 3' CENTER + (1) PARTIAL RADIUS END (SELF-CONTAINED)

PLACID

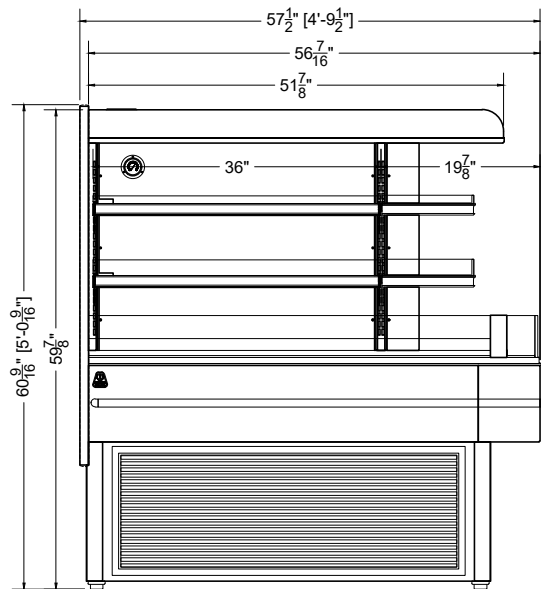
QTY	DESCRIPTION	PART NUMBER	VOLTAGE	PHASE	AMPS	TOTAL AMPS
2	12" LED 3500K, FROSTED, 24V	LG-FX-XXX-X	115V	1	0.02	0.04
2	18" LED 3500K, FROSTED, 24V	LG-FX-XXX-X	115V	1	0.03	0.06
6	34" LED 3500K, FROSTED, 24V	LG-FX-XXX-X	115V	1	0.07	0.42
6	EVAPORATOR FAN	AFXXX	115V	1	0.24	1.44
1	CONDENSING UNIT	RF-CU-0454-A	208V	1	10.80	10.80
1	CONDENSATE EVAP PAN / 1500W / FULL	EL-EV-XXXX	208V	1	7.21	7.21
1	CONDENSATE PUMP	RF-MS-0442	115V	1	2.0	2.00

CIRCUIT#1 TOTAL AMPS: 19.97 VOLTAGE: 208-230/1/60, 3-WIRE CONNECTION: L14-30P
 SHIPPING DIMENSIONS: 72" X 48" X 72" PACKOUT VOLUME: 17.77 CUBIC FT.
 WEIGHT: 950 LBS INTERNAL VOLUME: 24.01 CUBIC FT.
 * OPTIONAL COMPONENT LOAD INCLUDED: EVAP PAN CAN BE REPLACED WITH PUMP

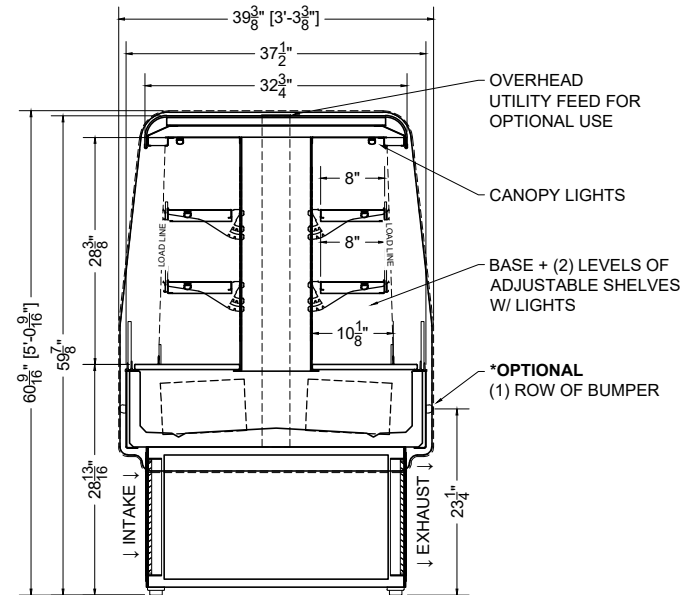
CONFORMS TO UL STD 471.
 CONFORMS TO NSF STD 7.
 CERTIFIED TO CAN/CSA STD C22.2 NO. 120.



PLAN MECHANICAL VIEW



SIDE VIEW



SECTION VIEW

