

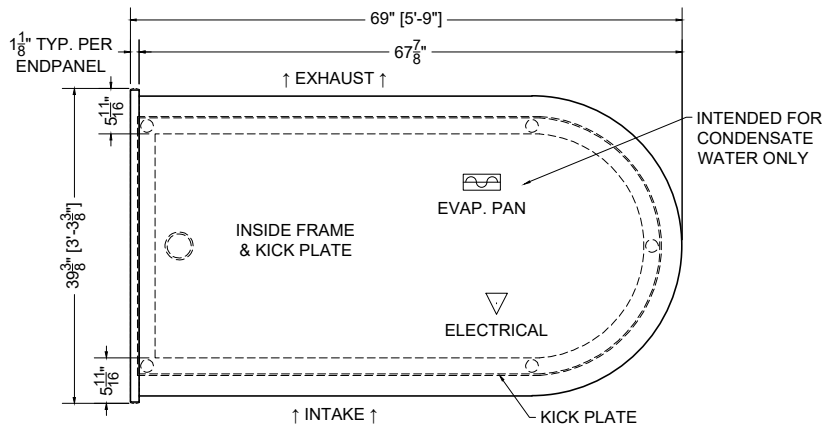
05.5-MDI-3N1F-S = 4' CENTER + (1) FULL-RADIUS END (SELF-CONTAINED)

PLACID

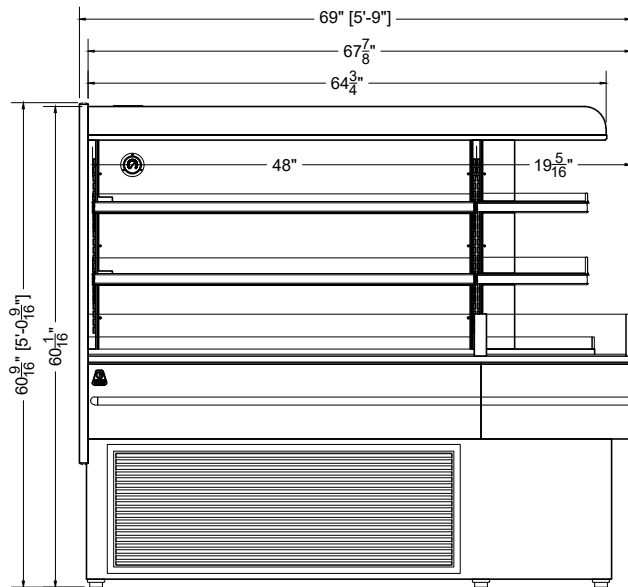
QTY	DESCRIPTION	PART NUMBER	VOLTAGE	PHASE	AMPS	TOTAL AMPS
4	12" LED 3500K, FROSTED, 24V	LG-FX-XXX-X	115V	1	0.02	0.08
6	45" LED 3500K, FROSTED, 24V	LG-FX-XXX-X	115V	1	0.09	0.54
8	EVAPORATOR FAN	AFXXX	115V	1	0.24	1.92
1	CONDENSING UNIT	RF-CU-0419	208/230V	1	11.70	11.70
1	CONDENSATE EVAP PAN / 1500W / FULL	EL-EV-XXXX	208V	1	7.21	7.21
1	CONDENSATE PUMP	RF-MS-0442	115V	1	2.0	2.00

CIRCUIT#1 TOTAL AMPS:21.45 VOLTAGE:208-230/1/60, 3-WIRE CONNECTION:L14-30P
 SHIPPING DIMENSIONS: 80" X 48" X 72" PACKOUT VOLUME: 20.29 CUBIC FT.
 WEIGHT: 1060 LBS INTERNAL VOLUME: 27.89 CUBIC FT.
 * OPTIONAL COMPONENT LOAD INCLUDED: EVAP PAN CAN BE REPLACED WITH PUMP

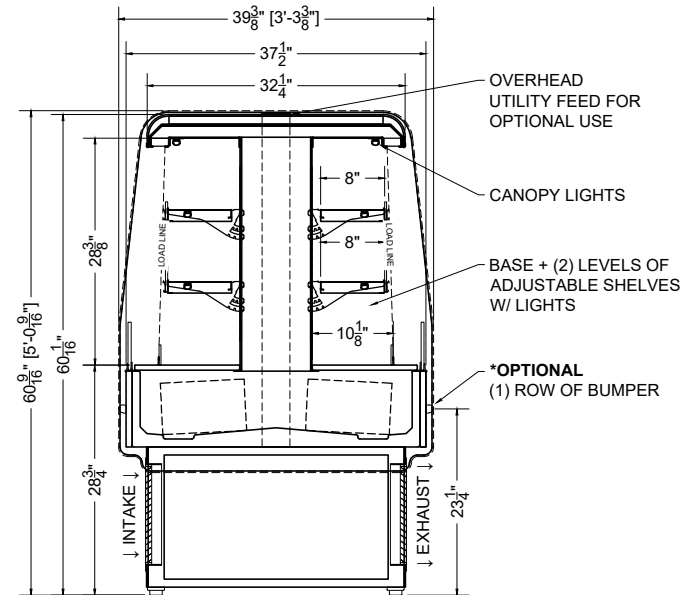
CONFORMS TO UL STD 471.
 CONFORMS TO NSF STD 7.
 CERTIFIED TO CAN/CSA STD
 C22.2 NO. 120.



PLAN MECHANICAL VIEW



SIDE VIEW



SECTION VIEW

