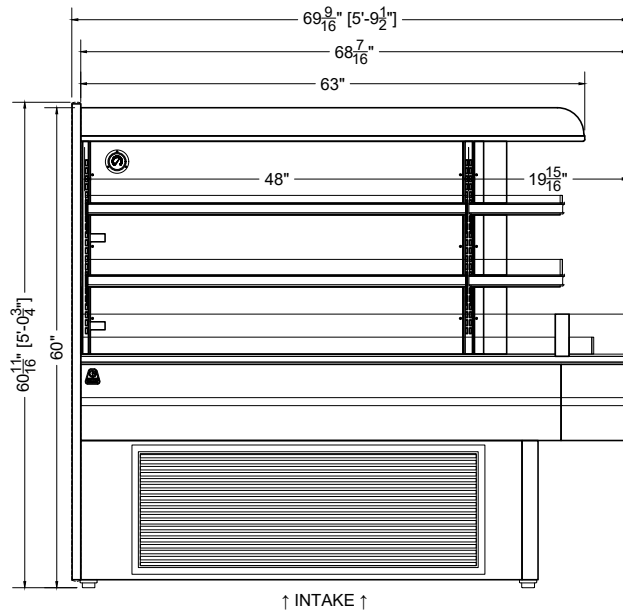


PLAN MECHANICAL VIEW



FRONT VIEW

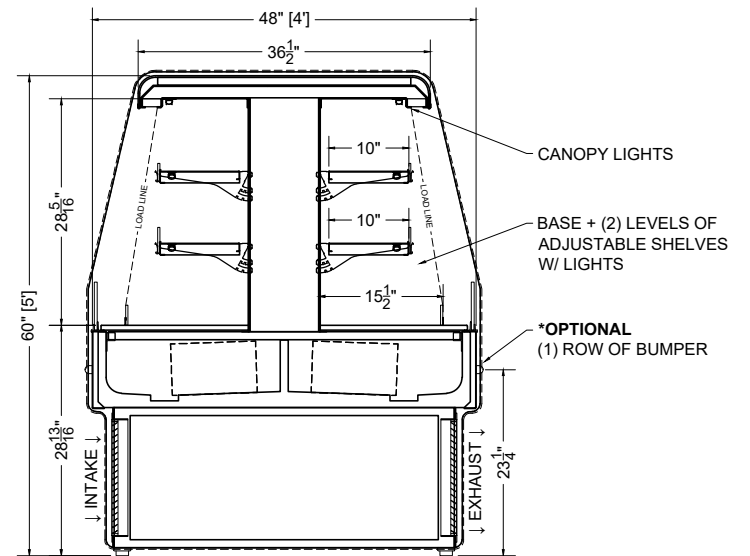
05.6-MDI-3M1P-S = 4' CENTER + (1) PARTIAL-RADIUS END (SELF-CONTAINED)

PLACID

QTY	DESCRIPTION	PART NUMBER	VOLTAGE	PHASE	AMPS	TOTAL AMPS
2	12" LED 3500K, FROSTED, 24V	LG-FX-XXX-X	115V	1	0.02	0.04
2	18" LED 3500K, FROSTED, 24V	LG-FX-XXX-X	115V	1	0.03	0.06
6	45" LED 3500K, FROSTED, 24V	LG-FX-XXX-X	115V	1	0.09	0.54
8	AXIAL FAN	AFXXX	115V	1	0.24	1.92
1	CONDENSING UNIT	RF-CU-0419	208/230V	1	11.70	11.70
1	CONDENSATE EVAP PAN / 1500W / FULL	EL-EV-XXXX	208V	1	7.21	7.21

CIRCUIT#1 TOTAL AMPS:21.47 VOLTAGE:208-230/1/60, 3-WIRE CONNECTION:L14-30P  
 SHIPPING DIMENSIONS: 84" X 60" X 70" PACKOUT VOLUME: 28.01 CUBIC FT.  
 WEIGHT: 1140 LBS INTERNAL VOLUME: 36.54 CUBIC FT.

CONFORMS TO UL STD 471.  
 CONFORMS TO NSF STD 7.  
 CERTIFIED TO CAN/CSA STD C22.2 NO. 120.



SECTION VIEW

