

05.6-MDI-3N1P-R = 4' CENTER + (1) PARTIAL-RADIUS END

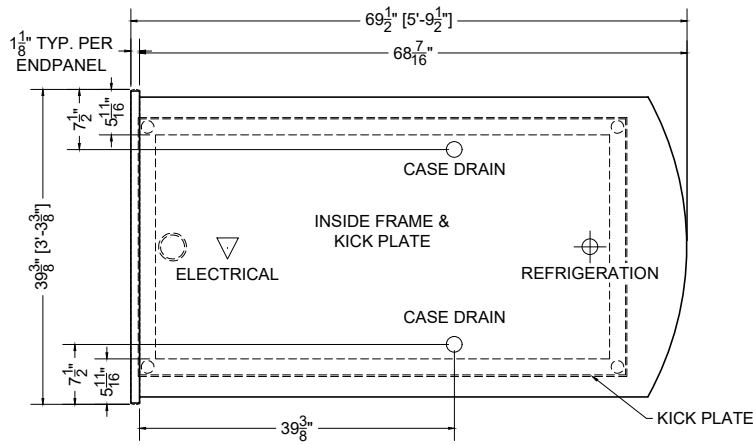
PLACID

QTY	DESCRIPTION	PART NUMBER	VOLTAGE	PHASE	AMPS	TOTAL AMPS
2	12" LED 3500K, FROSTED, 24V	LG-FX-XXX-X	115V	1	0.02	0.04
2	18" LED 3500K, FROSTED, 24V	LG-FX-XXX-X	115V	1	0.03	0.06
6	45" LED 3500K, FROSTED, 24V	LG-FX-XXX-X	115V	1	0.09	0.54
8	EVAPORATOR FAN	AFXXX	115V	1	0.24	1.92

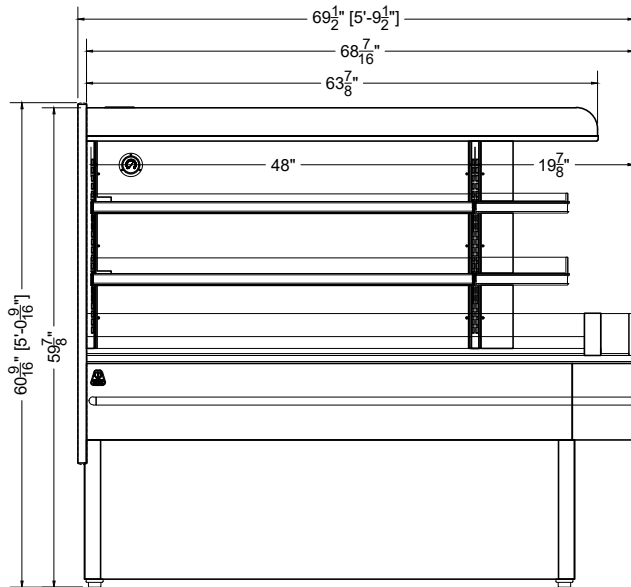
CIRCUIT#1 (LIGHTS) TOTAL AMPS:0.64 VOLTAGE:115/1/60 CONNECTION:HARDWIRED  
 CIRCUIT#2 (FANS) TOTAL AMPS:1.92 VOLTAGE:115/1/60 CONNECTION:HARDWIRED  
 MODEL:MDI-3N APPLICATION:DELI BTUH:7910 EVAP TEMP: 20°F  
 DEFROST:TIME-OFF, 4/40MIN, 47° TEMP TERMINATION  
 SHIPPING DIMENSIONS: 80" X 48" X 72"  
 WEIGHT: 860 LBS

PACKOUT VOLUME: 21.65 CUBIC FT.  
 INTERNAL VOLUME: 29.08 CUBIC FT.

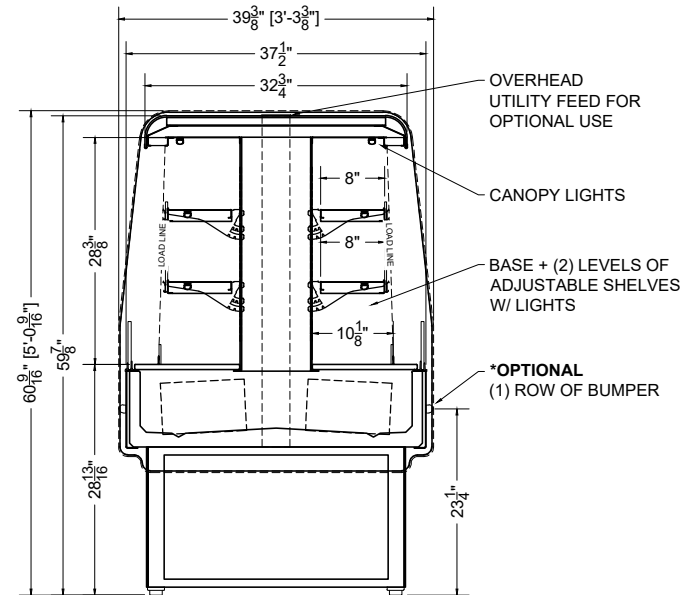
CONFORMS TO UL STD 471.  
 CONFORMS TO NSF STD 7.  
 CERTIFIED TO CAN/CSA STD C22.2 NO. 120.



PLAN MECHANICAL VIEW



SIDE VIEW



SECTION VIEW

PROJ SPECIFICATION SHEET

Des 05.6-MDI-3N1P-R - (1) Partial-Radius End

Name AME Dwg# 038418 Rev #01- 05/01/24

CONFIDENTIAL DOCUMENT: THIS DRAWING IS CONFIDENTIAL AND THE PROPERTY OF SOUTHERN CASEARTS, INC AND IS NOT TO BE REPRODUCED OR EXCHANGED WITH ANY OTHER PERSON OR COMPANY WITHOUT THE EXPRESS WRITTEN CONSENT OF SOUTHERN CASEARTS, INC.

COPYRIGHT ©2023 SOUTHERN CASEARTS, INC. ALL RIGHTS RESERVED

1/2" = 1'

DRAWING DETAILS SUBJECT TO CHANGE DURING THE ENGINEERING PROCESS



SOUTHERN CaseArts