

REFRIGERATED WELL CAPACITY:
(3) FULL-SIZE STANDARD PANS 4" DEPTH

*FOOD PAN INCLUSION **OPTIONAL**

05.7-SSB-N-S (SELF-CONTAINED)

ZION

QTY	DESCRIPTION	PART NUMBER	VOLTAGE	PHASE	AMPS	TOTAL AMPS
2	40" LED 3500K, FROSTED, 24V	LG-FX-XXX-X	115V	1	0.08	0.16
1	EVAPORATOR FAN	RF-FA-XXXX	115V	1	0.17	0.17
1	CONDENSING UNIT	RF-CU-0375-A	115V	1	8.24	8.24
1	CONDENSATE EVAP PAN / 800W / HALF	EL-EV-XXXX	115V	1	6.90	6.90

CIRCUIT#1

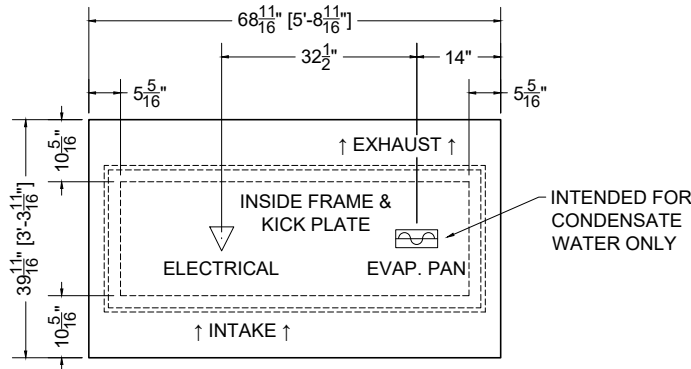
TOTAL AMPS:15.47

VOLTAGE:115/1/60

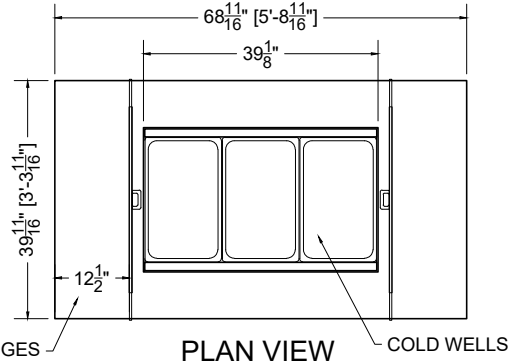
CONNECTION:L5-20P

PACKOUT VOLUME: 2.96 CUBIC FT.
INTERNAL VOLUME: 3.85 CUBIC FT.

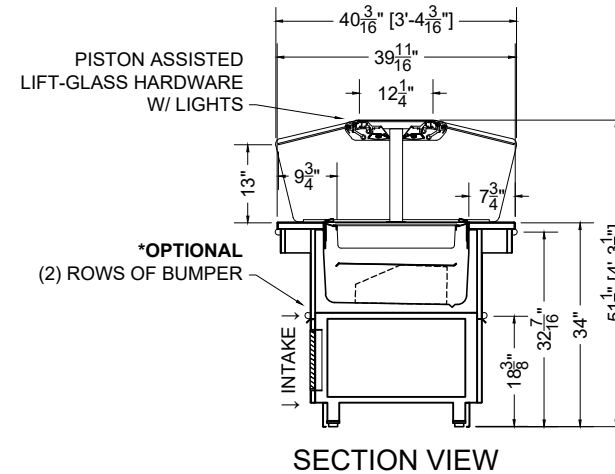
CONFORMS TO UL STD 471.
CONFORMS TO NSF STD 7.
CERTIFIED TO CAN/CSA STD C22.2 NO. 120.



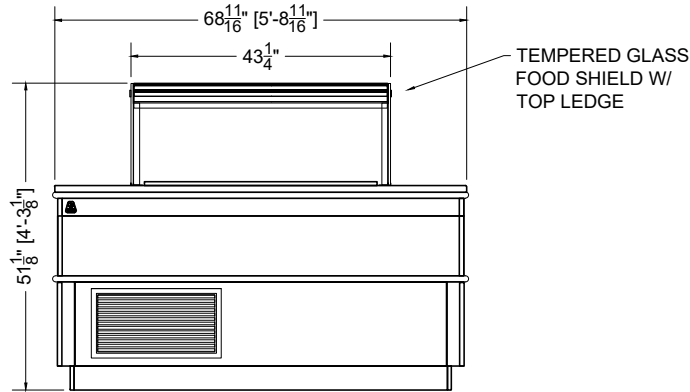
PLAN MECHANICAL VIEW



PLAN VIEW



SECTION VIEW



FRONT VIEW

