

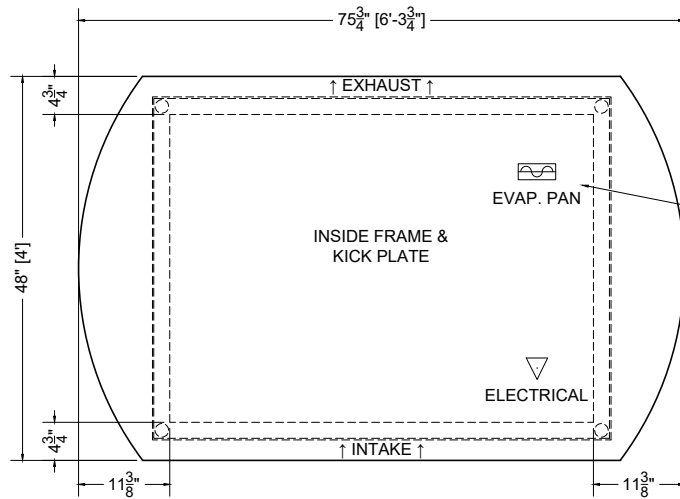
06.2-MDI-3M2P-S = 3' CENTER + (2) PARTIAL-RADIUS ENDS (SELF-CONTAINED)

PLACID

QTY	DESCRIPTION	PART NUMBER	VOLTAGE	PHASE	AMPS	TOTAL AMPS
4	12" LED 3500K, FROSTED, 24V	LG-FX-XXX-X	115V	1	0.02	0.08
4	18" LED 3500K, FROSTED, 24V	LG-FX-XXX-X	115V	1	0.03	0.12
4	34" LED 3500K, FROSTED, 24V	LG-FX-XXX-X	115V	1	0.07	0.28
2	45" LED 3500K, FROSTED, 24V	LG-FX-XXX-X	115V	1	0.09	0.18
8	AXIAL FAN	AFXXX	115V	1	0.24	1.92
1	CONDENSING UNIT	RF-CU-0419	208/230V	1	11.70	11.70
1	CONDENSATE EVAP PAN / 1500W / FULL	EL-EV-XXXX	208V	1	7.21	7.21

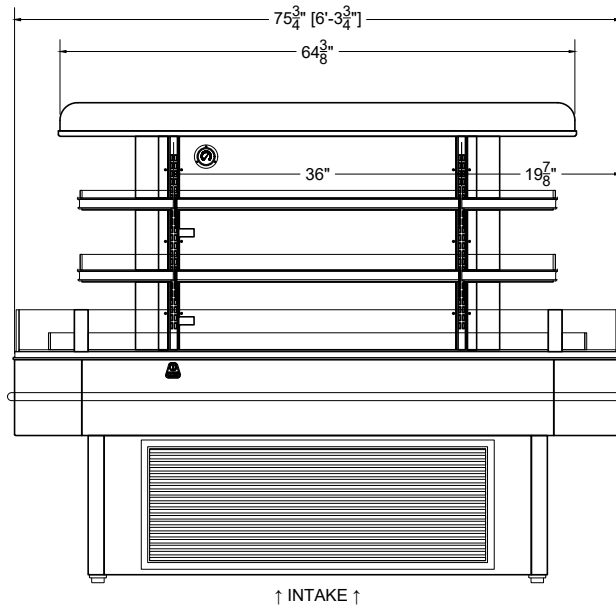
CIRCUIT#1 TOTAL AMPS:21.49 VOLTAGE:208-230/1/60, 3-WIRE CONNECTION:L14-30P
 SHIPPING DIMENSIONS: 86" X 60" X 70" PACKOUT VOLUME: 34.94 CUBIC FT.
 WEIGHT: 1110 LBS INTERNAL VOLUME: 46.42 CUBIC FT.

CONFORMS TO UL STD 471.
 CONFORMS TO NSF STD 7.
 CERTIFIED TO CAN/CSA STD
 C22.2 NO. 120.

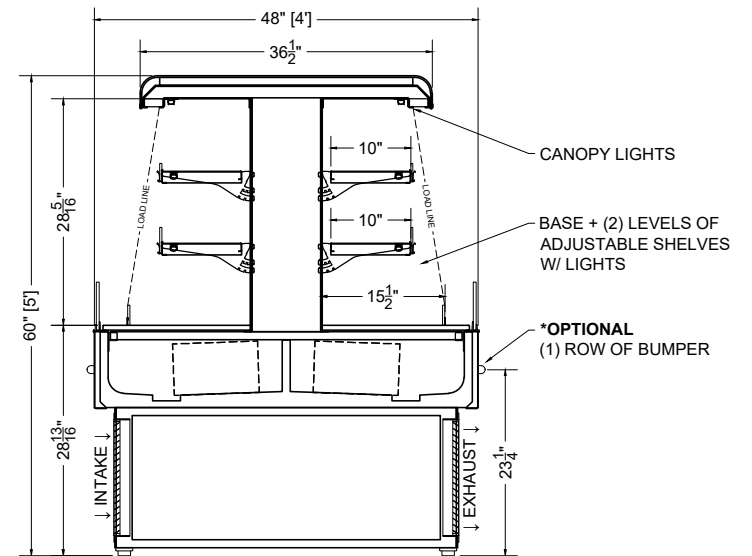


INTENDED FOR
 CONDENSATE
 WATER ONLY

PLAN MECHANICAL VIEW



FRONT VIEW



SECTION VIEW

