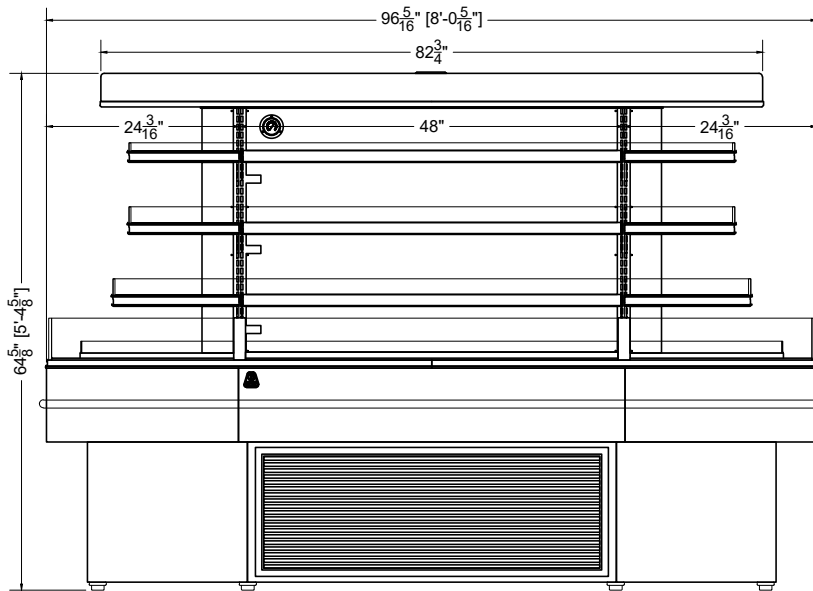


PLAN MECHANICAL VIEW



SIDE VIEW

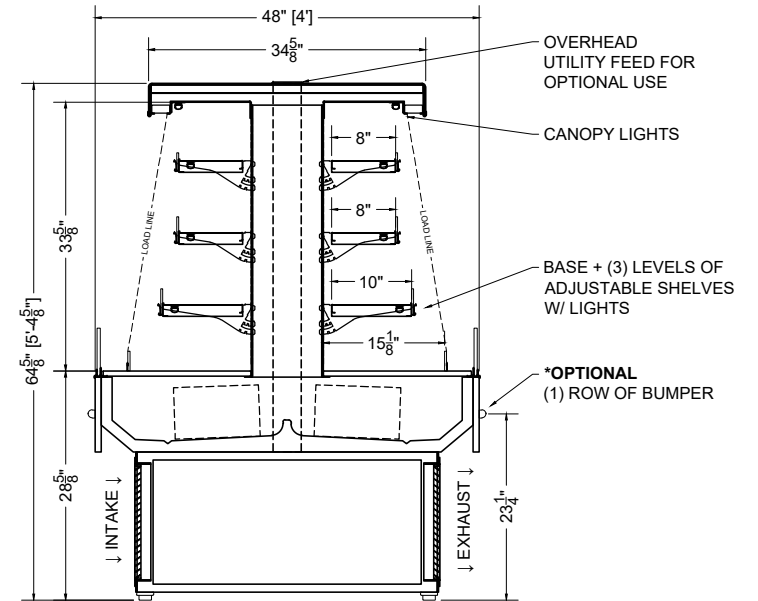
07.9-MDI-4M2F-S = 4' CENTER + (2) FULL-RADIUS ENDS (SELF-CONTAINED)

PLACID

QTY	DESCRIPTION	PART NUMBER	VOLTAGE	PHASE	AMPS	TOTAL AMPS
8	12" LED 3500K, FROSTED, 24V	LG-FX-XXX-X	115V	1	0.02	0.16
2	18" LED 3500K, FROSTED, 24V	LG-FX-XXX-X	115V	1	0.03	0.06
8	45" LED 3500K, FROSTED, 24V	LG-FX-XXX-X	115V	1	0.09	0.72
8	EVAPORATOR FAN	AFXXX	115V	1	0.24	1.92
1	CONDENSING UNIT	RF-CU-0457-A	208V	1	11.50	11.50
1	CONDENSATE EVAP PAN / 1500W / FULL	EL-EV-XXXX	208V	1	7.21	7.21
1	CONDENSATE PUMP	RF-MS-0441	115V	1	1.98	1.98

CIRCUIT#1 TOTAL AMPS: 21.57 VOLTAGE: 208-230/1/60, 3-WIRE CONNECTION: L14-30P
 SHIPPING DIMENSIONS: 108" X 60" X 76" PACKOUT VOLUME: 42.19 CUBIC FT.
 WEIGHT: 1355 LBS INTERNAL VOLUME: 54.88 CUBIC FT.
 * OPTIONAL COMPONENT LOAD INCLUDED: EVAP PAN CAN BE REPLACED WITH PUMP

CONFORMS TO UL STD 471.
 CONFORMS TO NSF STD 7.
 CERTIFIED TO CAN/CSA STD
 C22.2 NO. 120.



SECTION VIEW

