

REFRIGERATED WELL CAPACITY:
(7) FULL-SIZE STANDARD PANS 4" DEPTH

*FOOD PAN INCLUSION **OPTIONAL**

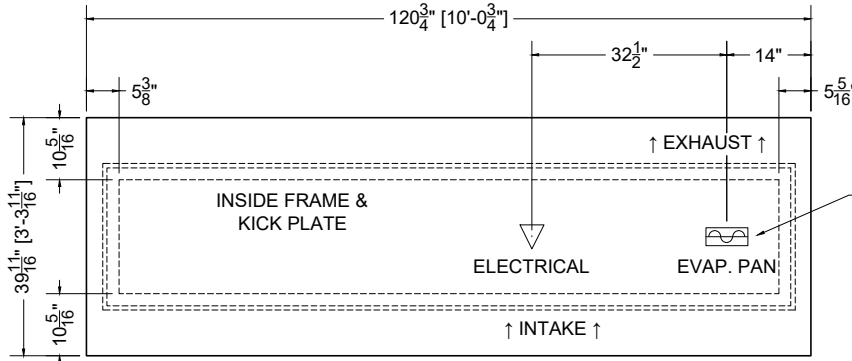
10.0-SSB-N-S (SELF-CONTAINED)

ZION

QTY	DESCRIPTION	PART NUMBER	VOLTAGE	PHASE	AMPS	TOTAL AMPS
4	45" LED 3500K, FROSTED, 24V	LG-FX-XXX-X	115V	1	0.09	0.36
3	EVAPORATOR FAN	RF-FA-XXXX	115V	1	0.17	0.51
1	CONDENSING UNIT	RF-CU-0378-A	208/230V	1	5.75	5.75
1	CONDENSATE EVAP PAN / 1000W / FULL	EL-EV-XXXX	208V	1	4.81	4.81

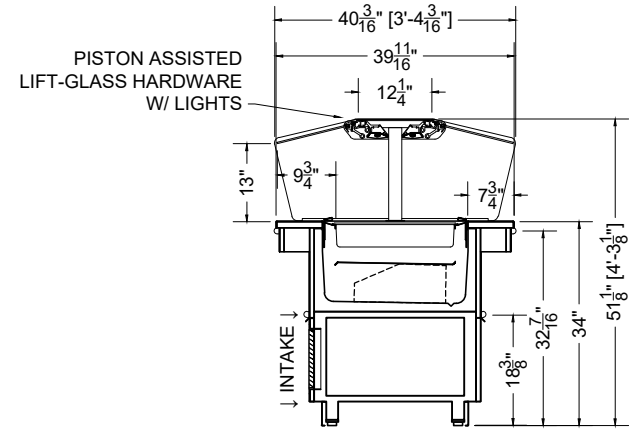
CIRCUIT#1 TOTAL AMPS:11.43 VOLTAGE:208-230/1/60, 3-WIRE CONNECTION:L14-20P
 CIRCUIT#2 (ISO. OUTLET) TOTAL AMPS:20.00 VOLTAGE:115/1/60 CONNECTION:HARDWIRED
 PACKOUT VOLUME: 6.87 CUBIC FT.
 INTERNAL VOLUME: 8.93 CUBIC FT.

CONFORMS TO UL STD 471.
 CONFORMS TO NSF STD 7.
 CERTIFIED TO CAN/CSA STD C22.2 NO. 120.

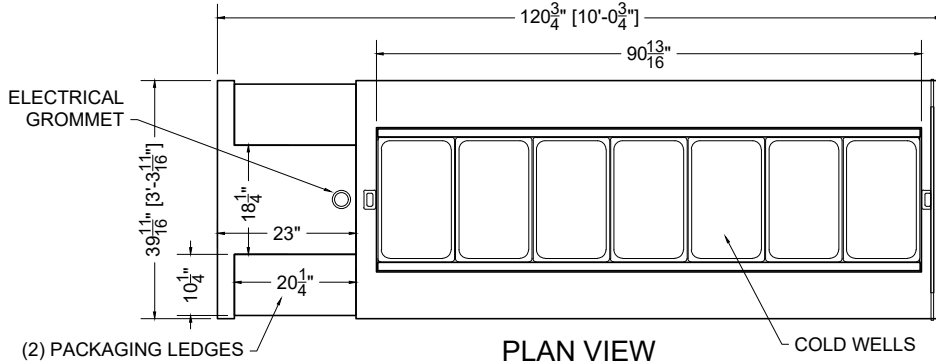


PLAN MECHANICAL VIEW

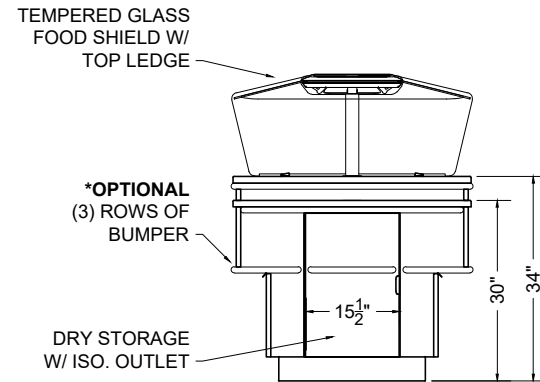
INTENDED FOR
CONDENSATE
WATER ONLY



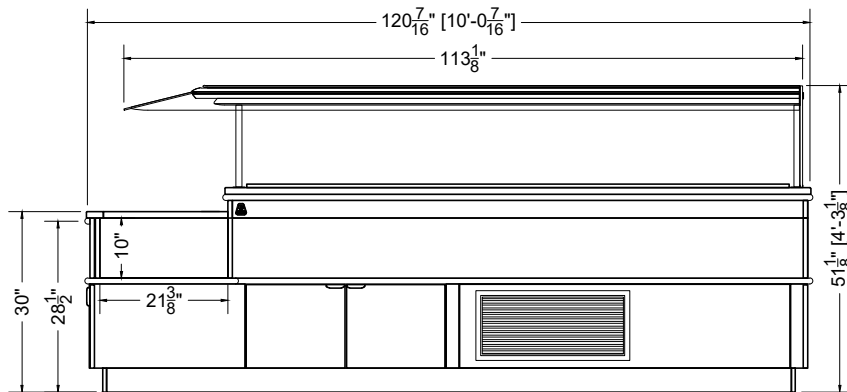
SECTION VIEW



PLAN VIEW



SIDE VIEW
LEFT (PACKAGING END)



FRONT VIEW

PROJ SPECIFICATION SHEET

Des 10.0-SSB-N-S Narrow Food Bar (S/C)

Name AME Dwg# 037941 Rev #01- 12/15/23

CONFIDENTIAL DOCUMENT: THIS DRAWING IS CONFIDENTIAL AND THE PROPERTY OF SOUTHERN CASEARTS, INC AND IS NOT TO BE REPRODUCED OR EXCHANGED WITH ANY OTHER PERSON OR COMPANY WITHOUT THE EXPRESS WRITTEN CONSENT OF SOUTHERN CASEARTS, INC.
 H:\Design\001 Product Line Documents\Prior To 20215001 - Specialty Merchandisers\SSB\N\CAD\SSB-N.dwg

COPYRIGHT ©2023 SOUTHERN CASEARTS, INC. ALL RIGHTS RESERVED

38" = 1"

DRAWING DETAILS SUBJECT TO CHANGE DURING THE ENGINEERING PROCESS



SOUTHERN
CaseArts