

PLAN MECHANICAL VIEW

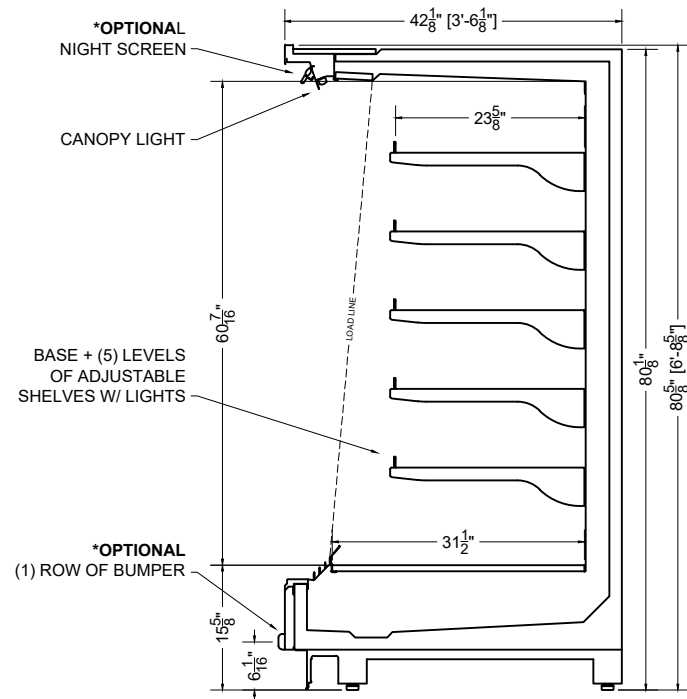
12.3-MDC-81ADM-R

SHEYENNE

QTY	DESCRIPTION	PART NUMBER	VOLTAGE	PHASE	AMPS	TOTAL AMPS
18	45° LED 4000K 24V	LG-FX-XXX-X	115V	1	0.50	9.00
6	EVAPORATOR FAN	AFXXX	115V	1	0.20	1.20
1	DEFROST HEATERS	---	115V	1	6.96	6.96

CIRCUIT#1 (LIGHTS)	TOTAL AMPS:9.00	VOLTAGE:115/1/60	CONNECTION:HARDWIRED
CIRCUIT#2 (FANS)	TOTAL AMPS:1.20	VOLTAGE:115/1/60	CONNECTION:HARDWIRED
CIRCUIT#3 (DEFROST)	TOTAL AMPS:6.96	VOLTAGE:115/1/60	CONNECTION:HARDWIRED
MODEL:MDC-81ADM	APPLICATION:DELI	BTUH:20280	EVAP TEMP: 14°F
DEFROST: TIME-OFF, 4/45MIN, 50° TEMP TERMINATION			

PACKOUT VOLUME: 150.03 CUBIC FT.  
INTERNAL VOLUME: 195.46 CUBIC FT.



SECTION VIEW

