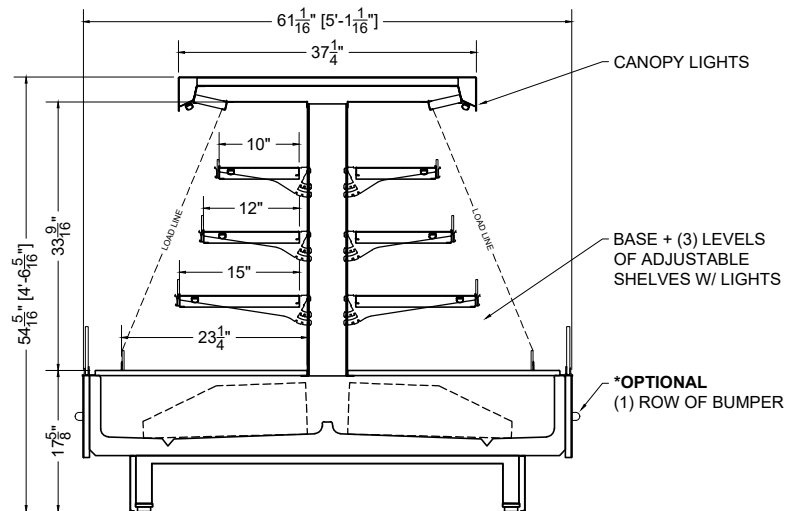


SIDE VIEW



SECTION VIEW

PROJ SPECIFICATION SHEET

DESC 13.0-MDI-3S2FT-R - (2) Full-Radius Ends

NAME AME DWG# 037719 REV #04 - 09/19/23

CONFIDENTIAL DOCUMENT: THIS DRAWING IS CONFIDENTIAL AND THE PROPERTY OF SOUTHERN CASEARTS, INC AND IS NOT TO BE REPRODUCED OR EXCHANGED WITH ANY OTHER PERSON OR COMPANY WITHOUT THE EXPRESS WRITTEN CONSENT OF SOUTHERN CASEARTS, INC.

COPYRIGHT ©2023 SOUTHERN CASEARTS, INC. ALL RIGHTS RESERVED

1/2" = 1'

DRAWING DETAILS SUBJECT TO CHANGE DURING THE ENGINEERING PROCESS



SOUTHERN CaseArts

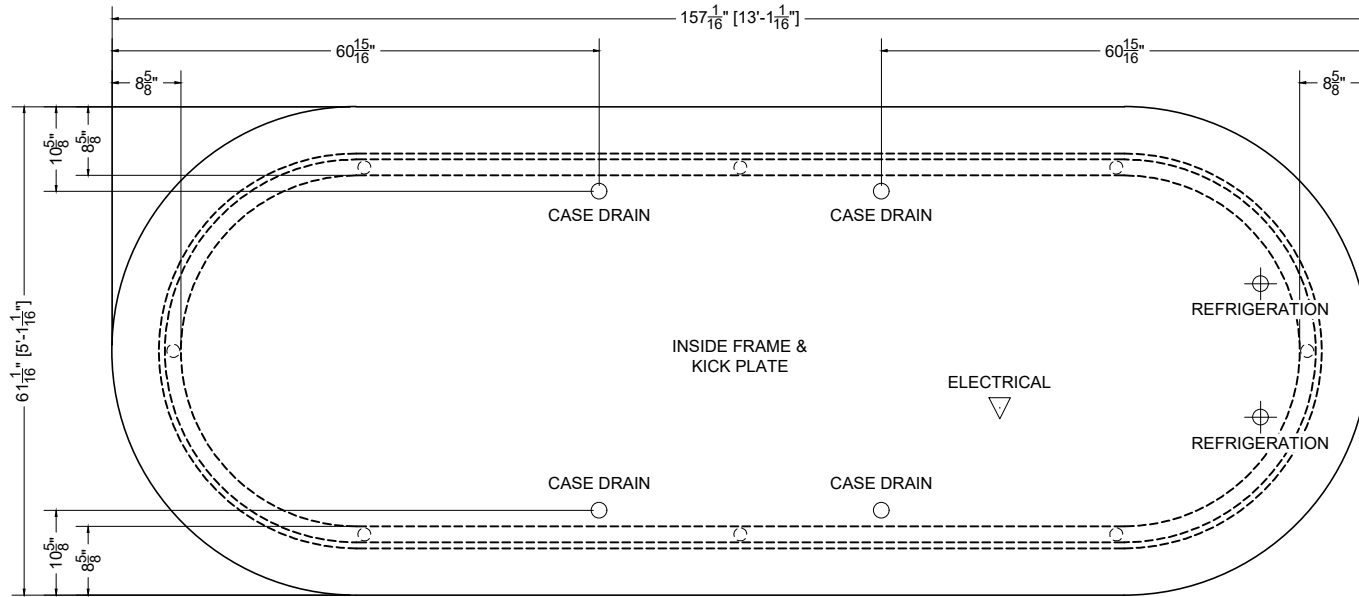
13.0-MDI-3S2FT-R = 8' CENTER + (2) FULL-RADIUS ENDS

QTY	DESCRIPTION	PART NUMBER	VOLTAGE	PHASE	AMPS	TOTAL AMPS
12	7" LED 3500K, FROSTED, 24V	LG-FX-XXX-X	115V	1	0.01	0.12
12	12" LED 3500K, FROSTED, 24V	LG-FX-XXX-X	115V	1	0.02	0.24
12	45" LED 3500K, FROSTED, 24V	LG-FX-XXX-X	115V	1	0.09	1.08
4	51" LED 3500K, FROSTED, 24V	LG-FX-XXX-X	115V	1	0.10	0.40
12	EVAPORATOR FAN	RF-FA-XXXX	115V	1	0.17	2.04

CIRCUIT#1 (LIGHTS) TOTAL AMPS: 1.84 VOLTAGE: 115V/1/60 CONNECTION: HARDWIRED
 CIRCUIT#2 (FANS) TOTAL AMPS: 2.04 VOLTAGE: 115V/1/60 CONNECTION: HARDWIRED
 MODEL: MDI-3S APPLICATION: DELI BTUH: 28600 EVAP TEMP: 22°F
 DEFROST: TIME-OFF, 4/40MIN, 47° TEMP TERMINATION

PACKOUT VOLUME: 88.11 CUBIC FT.
 INTERNAL VOLUME: 122.69 CUBIC FT.

CONFORMS TO UL STD 471.
 CONFORMS TO NSF STD 7.
 CERTIFIED TO CAN/CSA STD C22.2 NO. 120.



PLAN MECHANICAL VIEW

