

## Southern CaseArts

### Placid - Multideck Island Refrigerated Merchandiser (including endcaps) | Cold

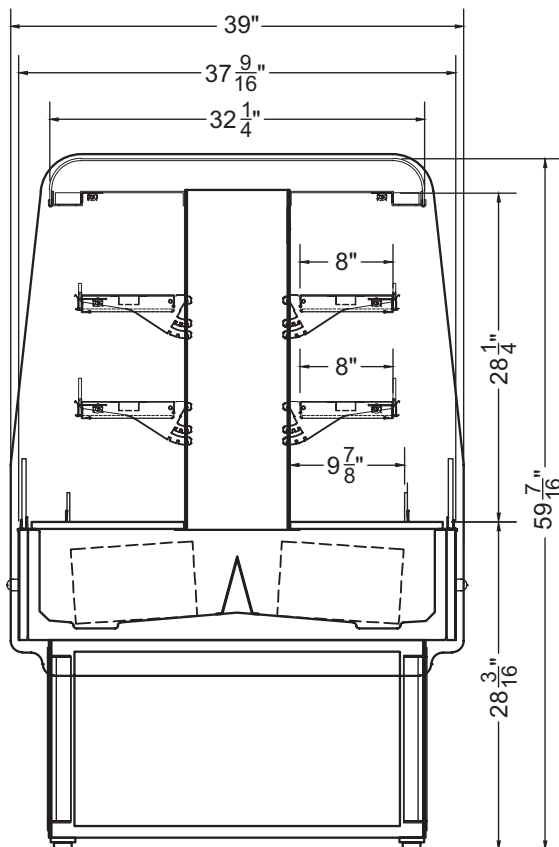
05.6-MDI-3N1P-S

## OVERVIEW

The Placid Multi-deck island refrigerated merchandiser is your next sales superstar by turning previously dead floor space into a profit center. This unit features LED shelf and canopy lighting, NSF leveler legs and powder coated black interior. Suitable for cheese, sandwiches, fresh meats, deli, salads, fruit, and beverage applications. Contact us today and discover the coolest new way to move more product while improving your ROI.



### Section View



### STANDARD FEATURES

- **Module Length:** 3.6, 4.6, 5.6
- **Shelves:** 4 adjustable shelves
- **Interior Lighting:** LED
- **Exterior Color:** Black

### PRODUCT CATEGORIES



Meat



Cheese/  
Dairy



Snacks/  
Sandwiches



Chilled  
Beverages



Prepared  
Food



CONFORMS TO UL STD 471. CONFORMS TO NSF STD 7.  
CERTIFIED TO CAN/CSA STD C22.2 NO. 120.



**SOUTHERN  
CaseArts**

A Royston Group Company

For more information on this Multideck Island Merchandiser, contact one of our **Southern CaseArts** representatives or check out our website to learn more about all of the products offered by **Southern CaseArts**: