



# Appalachian Multideck Merchandiser | Cold MDC-54 & MDC-84



southerncasearts.com | 800.552.6283

## OVERVIEW



The **Appalachian Multideck Merchandiser** from **Southern CaseArts** provides maximum exposure for meats, cheese, snacks & sandwiches, beverages or prepared foods. Available multiple lengths and heights, all featuring adjustable shelves, the versatile Appalachian can accommodate a variety of refrigerated products. The LED lighting on shelving and case canopy will showcase products and make them stand out.



### STANDARD FEATURES

- **Nominal Length:** 4.0', 6.0' & 8.0'
- **Shelving:** Adjustable shelves with LED lights
- Self-contained
- Optional night screen available on specific models
- **Exterior:** Black powder coat

### PRODUCT CATEGORIES



Meat



Cheese/  
Dairy



Snacks/  
Sandwiches



Chilled  
Beverages



Prepared  
Food

### 04.0-MDC-54HEM-S | Appalachian Multideck Merchandiser

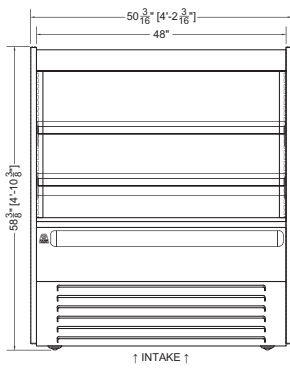
QTY	DESCRIPTION	PART NUMBER	VOLTAGE	PHASE	AMPS	TOTAL AMPS
3	45" LED 3500K, FROSTED, 24V	LG-FX-XXX-X	115V	1	0.09	0.27
2	EVAPORATOR FAN	RF-FA-XXXX	115V	1	0.17	0.34
1	CONDENSING UNIT	RF-CU-0480-A	115V	1	10.90	10.90
1	CONDENSATE EVAP PAN / 800W / HALF	EL-EV-XXXX	115V	1	6.90	6.90

CIRCUIT#1 TOTAL AMPS: 18.41 VOLTAGE: 115/1/60  
MODEL: MDC-54HEM APPLICATION: DELI BTUH: 3400  
DEFROST: TIME-OFF, 4/40 MIN, 47° TEMP TERMINATION  
SHIPPING DIMENSIONS: 60" X 48" X 68"  
WEIGHT: 895 LBS.

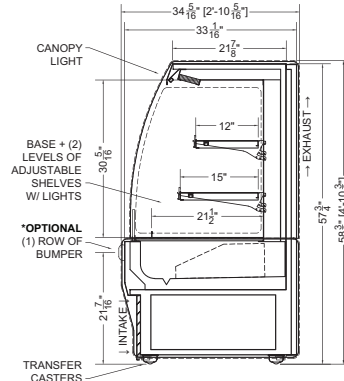
CONNECTION: L5-30P  
EVAP TEMP: 24°F

PACKOUT VOLUME: 14.48 CUBIC FT.  
INTERNAL VOLUME: 18.55 CUBIC FT.

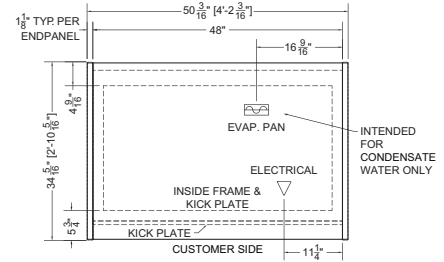




Side View - 04.0-54HEM-S



Section View - 04.0-54HEM-S

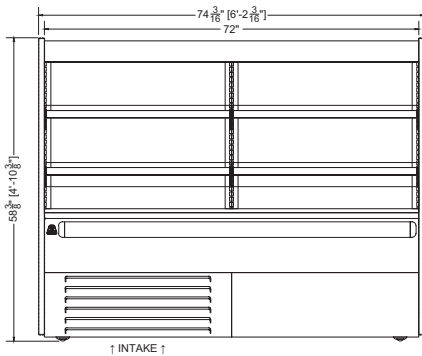


Plan Mechanical View - 04.0-54HEM-S

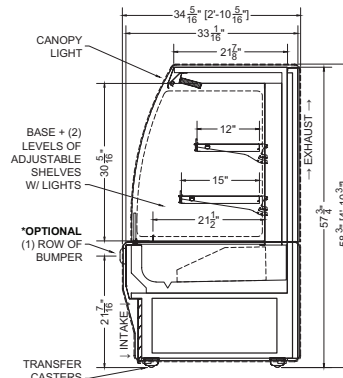
06.0-MDC-54HEM-S | Appalachian Multideck Merchandiser

QTY	DESCRIPTION	PART NUMBER	VOLTAGE	PHASE	AMPS	TOTAL AMPS
6	34" LED 3500K, FROSTED, 24V	LG-FX-XXX-X	115V	1	0.07	0.42
3	EVAPORATOR FAN	RF-FA-XXXX	115V	1	0.17	0.51
1	CONDENSING UNIT	RF-CU-0480-A	115V	1	10.90	10.90
1	CONDENSATE EVAP PAN / 1200W / FULL	EL-EV-XXXX	115V	1	10.00	10.00

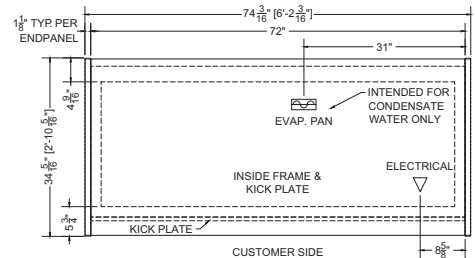
CIRCUIT#1 TOTAL AMPS: 21.83 VOLTAGE: 115/1/60 CONNECTION: L5-30P  
 MODEL: MDC-54HEM APPLICATION: DELI BTUH: 5100 EVAP TEMP: 24°F  
 DEFROST: TIME-OFF, 4/40 MIN, 47° TEMP TERMINATION  
 SHIPPING DIMENSIONS: 86" X 48" X 68"  
 WEIGHT: 1150 LBS. PACKOUT VOLUME: 21.72 CUBIC FT. INTERNAL VOLUME: 27.82 CUBIC FT.



Side View - 06.0-54HEM-S



Section View - 06.0-54HEM-S

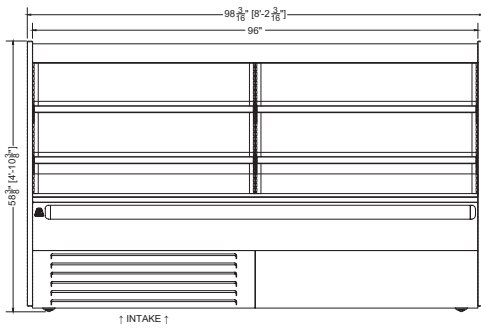


Plan Mechanical View - 06.0-54HEM-S

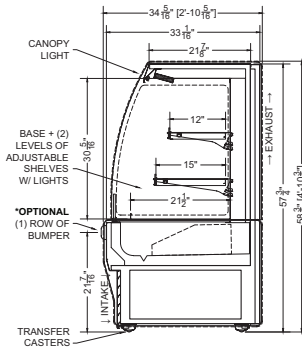
08.0-MDC-54HEM-S | Appalachian Multideck Merchandiser

QTY	DESCRIPTION	PART NUMBER	VOLTAGE	PHASE	AMPS	TOTAL AMPS
6	45" LED 3500K, FROSTED, 24V	LG-FX-XXX-X	115V	1	0.09	0.54
4	EVAPORATOR FAN	RF-FA-XXXX	115V	1	0.17	0.68
1	CONDENSING UNIT	RF-CU-0479-A	115V	1	11.90	11.90
1	CONDENSATE EVAP PAN / 1200W / FULL	EL-EV-XXXX	115V	1	10.00	10.00

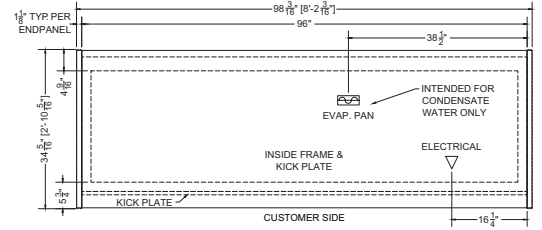
CIRCUIT#1 TOTAL AMPS: 23.12 VOLTAGE: 115/1/60 CONNECTION: L5-30P  
 MODEL: MDC-54HEM APPLICATION: DELI BTUH: 6800 EVAP TEMP: 24°F  
 DEFROST: TIME-OFF, 4/40 MIN, 47° TEMP TERMINATION  
 SHIPPING DIMENSIONS: 108" X 48" X 68"  
 WEIGHT: 1365 LBS. PACKOUT VOLUME: 28.96 CUBIC FT. INTERNAL VOLUME: 37.10 CUBIC FT.



Side View - 08.0-54HEM-S



Section View - 08.0-54HEM-S

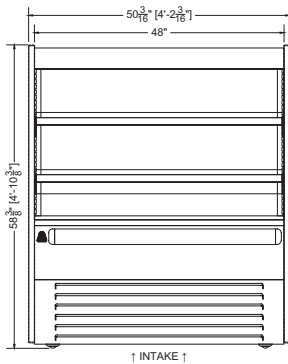


Plan Mechanical View - 08.0-54HEM-S

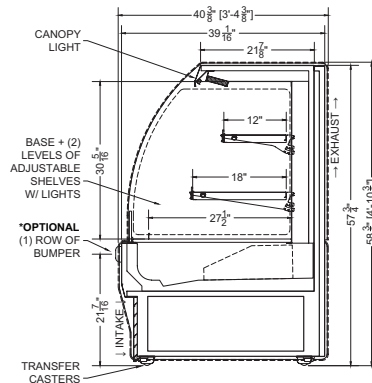
04.0-MDC-54HES-S | Appalachian Multideck Merchandiser

QTY	DESCRIPTION	PART NUMBER	VOLTAGE	PHASE	AMPS	TOTAL AMPS
3	45" LED 3500K, FROSTED, 24V	LG-FX-XXX-X	115V	1	0.09	0.27
2	EVAPORATOR FAN	RF-FA-XXXX	115V	1	0.17	0.34
1	CONDENSING UNIT	RF-CU-0480-A	115V	1	10.90	10.90
1	CONDENSATE EVAP PAN / 800W / HALF	EL-EV-XXXX	115V	1	6.90	6.90

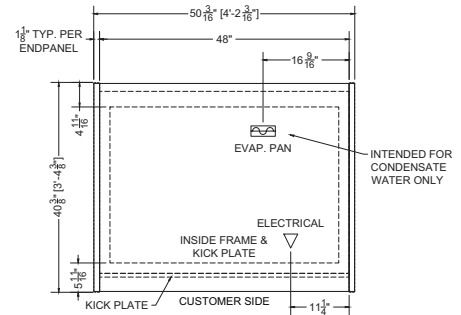
CIRCUIT#1 TOTAL AMPS: 18.41 VOLTAGE: 115/1/60 CONNECTION: L5-30P  
 MODEL: MDC-54HES APPLICATION: DELI BTUH: 3480 EVAP TEMP: 24°F  
 DEFROST: TIME-OFF, 4/40 MIN, 47° TEMP TERMINATION  
 SHIPPING DIMENSIONS: 60" X 48" X 68"  
 WEIGHT: 900 LBS. PACKOUT VOLUME: 17.03 CUBIC FT.  
 INTERNAL VOLUME: 21.58 CUBIC FT.



Side View - 04.0-54HES-S



Section View - 04.0-54HES-S

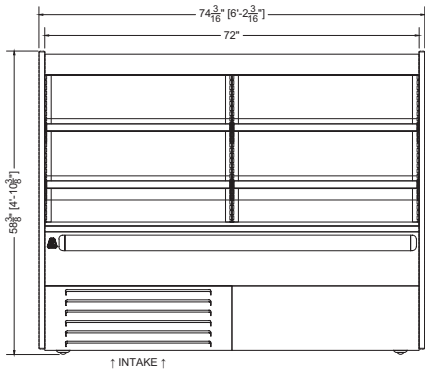


Plan Mechanical View - 04.0-54HES-S

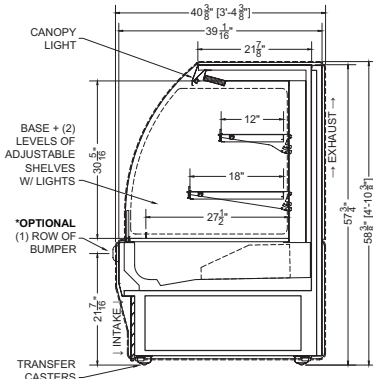
06.0-MDC-54HES-S | Appalachian Multideck Merchandiser

QTY	DESCRIPTION	PART NUMBER	VOLTAGE	PHASE	AMPS	TOTAL AMPS
6	34" LED 3500K, FROSTED, 24V	LG-FX-XXX-X	115V	1	0.07	0.42
3	EVAPORATOR FAN	RF-FA-XXXX	115V	1	0.17	0.51
1	CONDENSING UNIT	RF-CU-0480-A	115V	1	10.90	10.90
1	CONDENSATE EVAP PAN / 1200W / FULL	EL-EV-XXXX	115V	1	10.00	10.00

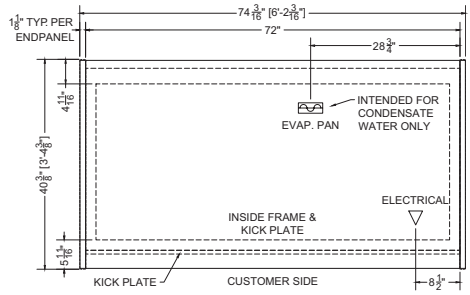
CIRCUIT#1 TOTAL AMPS: 21.83 VOLTAGE: 115/1/60 CONNECTION: L5-30P  
 MODEL: MDC-54HES APPLICATION: DELI BTUH: 5220 EVAP TEMP: 24°F  
 DEFROST: TIME-OFF, 4/40 MIN, 47° TEMP TERMINATION  
 SHIPPING DIMENSIONS: 86" X 48" X 68"  
 WEIGHT: 1150 LBS. PACKOUT VOLUME: 25.55 CUBIC FT.  
 INTERNAL VOLUME: 32.36 CUBIC FT.



Side View - 06.0-54HES-S



Section View - 06.0-54HES-S

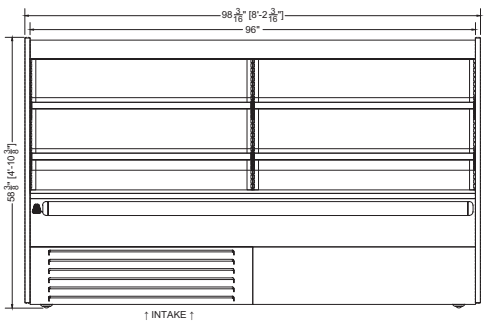


Plan Mechanical View - 06.0-54HES-S

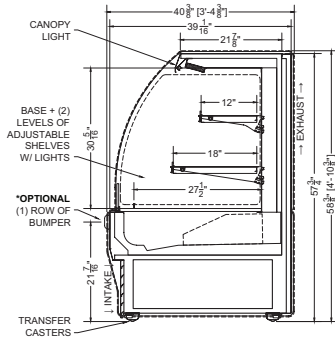
08.0-MDC-54HES-S | Appalachian Multideck Merchandiser

QTY	DESCRIPTION	PART NUMBER	VOLTAGE	PHASE	AMPS	TOTAL AMPS
6	45" LED 3500K, FROSTED, 24V	LG-FX-XXX-X	115V	1	0.09	0.54
4	EVAPORATOR FAN	RF-FA-XXXX	115V	1	0.17	0.68
1	CONDENSING UNIT	RF-CU-0479-A	115V	1	11.90	11.90
1	CONDENSATE EVAP PAN / 1200W / FULL	EL-EV-XXXX	115V	1	10.00	10.00

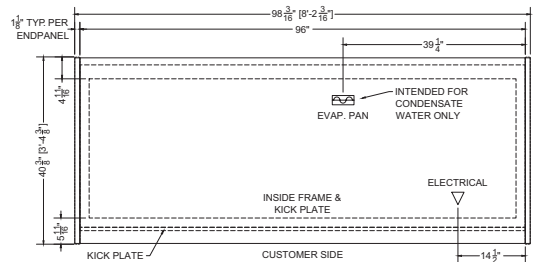
CIRCUIT#1 TOTAL AMPS: 23.12 VOLTAGE: 115/1/60 CONNECTION: L5-30P  
 MODEL: MDC-54HES APPLICATION: DELI BTUH: 6960 EVAP TEMP: 24°F  
 DEFROST: TIME-OFF, 4/40 MIN, 47° TEMP TERMINATION  
 SHIPPING DIMENSIONS: 108" X 48" X 68"  
 WEIGHT: 1400 LBS. PACKOUT VOLUME: 34.06 CUBIC FT. INTERNAL VOLUME: 43.15 CUBIC FT.



Side View - 08.0-54HES-S



Section View - 08.0-54HES-S

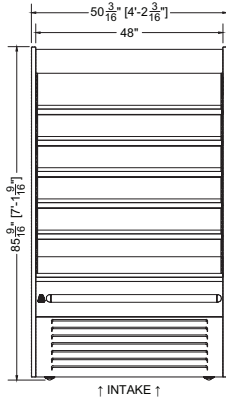


Plan Mechanical View - 08.0-54HES-S

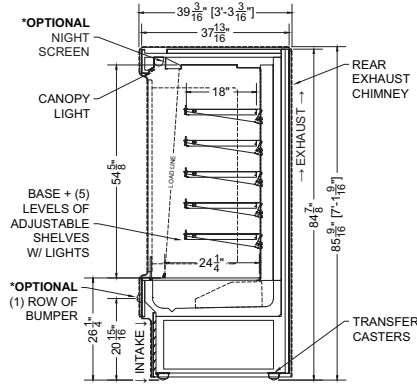
04.0-MDC-84HS-S | Appalachian Multideck Merchandiser

QTY	DESCRIPTION	PART NUMBER	VOLTAGE	PHASE	AMPS	TOTAL AMPS
6	45" LED 3500K, FROSTED, 24V	LG-FX-XXX-X	115V	1	0.09	0.54
2	EVAPORATOR FAN	RF-FA-XXXX	115V	1	0.17	0.34
1	CONDENSING UNIT	RF-CU-0384-A	208/230V	1	7.60	7.60
1	CONDENSATE EVAP PAN / 1500W / HALF	EL-EV-XXXX	208V	1	7.21	7.21

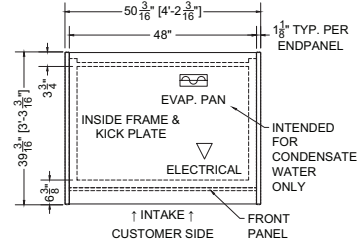
CIRCUIT#1 TOTAL AMPS: 15.69 VOLTAGE: 208-230/1/60, 3-WIRE CONNECTION: L14-20P  
 SHIPPING DIMENSIONS: 60" X 48" X 94" PACKOUT VOLUME: 34.21 CUBIC FT.  
 WEIGHT: 1214 LBS. INTERNAL VOLUME: 43.76 CUBIC FT.



Side View - 04.0-84HS-S



Section View - 04.0-84HS-S

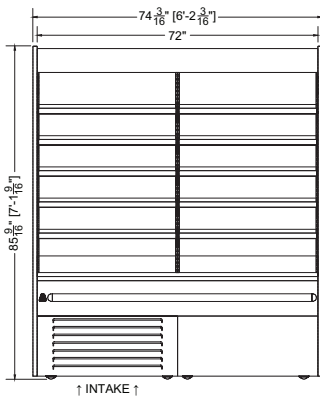


Plan Mechanical View - 04.0-84HS-S

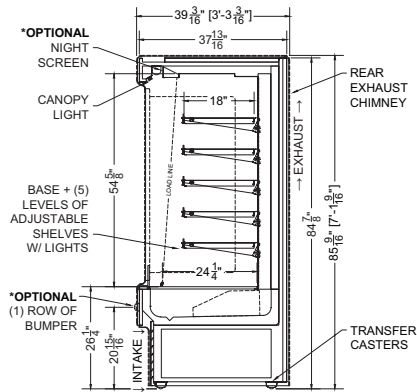
06.0-MDC-84HS-S | Appalachian Multideck Merchandiser

QTY	DESCRIPTION	PART NUMBER	VOLTAGE	PHASE	AMPS	TOTAL AMPS
10	34" LED 3500K, FROSTED, 24V	LG-FX-XXX-X	115V	1	0.07	0.70
1	67" LED 3500K, FROSTED, 24V	LG-FX-XXX-X	115V	1	0.13	0.13
3	EVAPORATOR FAN	RF-FA-XXXX	115V	1	0.17	0.51
1	CONDENSING UNIT	RF-CU-0472-A	208V	1	12.80	12.80
1	CONDENSATE EVAP PAN / 1500W / HALF	EL-EV-XXXX	208V	1	7.21	7.21

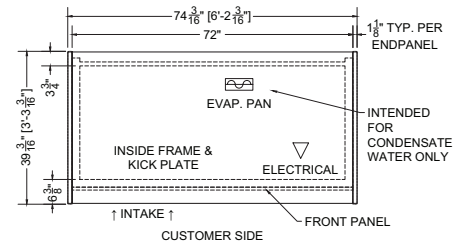
CIRCUIT#1 TOTAL AMPS: 21.35 VOLTAGE: 208-230/1/60, 3-WIRE CONNECTION: L14-30P  
 SHIPPING DIMENSIONS: 84" X 48" X 94" PACKOUT VOLUME: 51.32 CUBIC FT.  
 WEIGHT: 1634 LBS. INTERNAL VOLUME: 65.65 CUBIC FT.



Side View - 06.0-84HS-S



Section View - 06.0-84HS-S

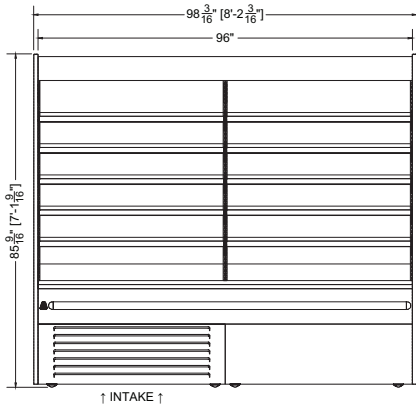


Plan Mechanical View - 06.0-84HS-S

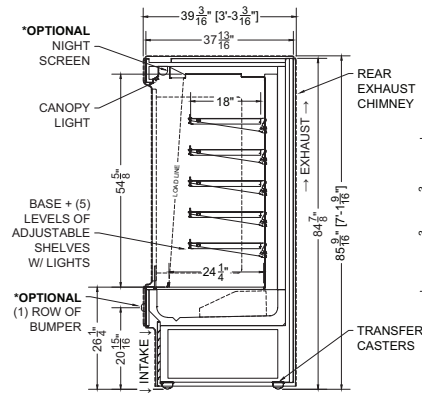
08.0-MDC-84HS-S | Appalachian Multideck Merchandiser

QTY	DESCRIPTION	PART NUMBER	VOLTAGE	PHASE	AMPS	TOTAL AMPS
12	34" LED 3500K, FROSTED, 24V	LG-FX-XXX-X	115V	1	0.09	1.08
4	EVAPORATOR FAN	RF-FA-XXXX	115V	1	0.17	0.68
1	CONDENSING UNIT	RF-CU-0475-A	208V	1	12.40	12.40
1	CONDENSATE EVAP PAN / 1500W / FULL	EL-EV-XXXX	208V	1	7.21	7.21

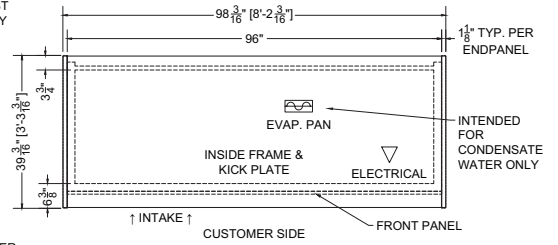
CIRCUIT#1 TOTAL AMPS: 21.37 VOLTAGE: 208-230/1/60, 3-WIRE CONNECTION: L14-30P  
 SHIPPING DIMENSIONS: 108" X 48" X 94" PACKOUT VOLUME: 68.42 CUBIC FT.  
 WEIGHT: 1974 LBS. INTERNAL VOLUME: 87.53 CUBIC FT.



Side View - 08.0-84HS-S



Section View - 08.0-84HS-S



Plan Mechanical View - 08.0-84HS-S



CONFORMS TO UL STD 471.  
 CONFORMS TO NSF STD 7.  
 CERTIFIED TO CAN/CSA STD C22.2 NO. 120.

For more information on the Appalachian Multideck Merchandiser, contact one of our Southern CaseArts representatives or check out our website to learn more about all of the products offered by Southern CaseArts.