



Cibola

Island Merchandiser | Cold & Frozen

SAR-41TSDS-S

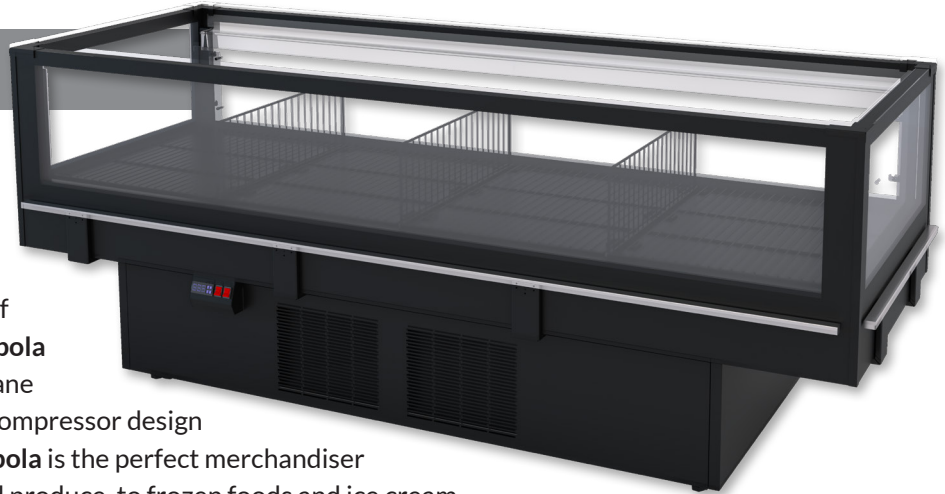


southerncasearts.com | 800.552.6283

OVERVIEW



The **Cibola Glass Walled Island Case** from Southern CaseArts is a multi-functional breakthrough design. Available with dual temperatures, this versatile case can be used in a variety of sections throughout your store. The **Cibola** is fully self-contained using R290 propane refrigerant and features a low energy compressor design for enhanced energy efficiency. The **Cibola** is the perfect merchandiser for everything from packaged meat and produce, to frozen foods and ice cream.



STANDARD FEATURES

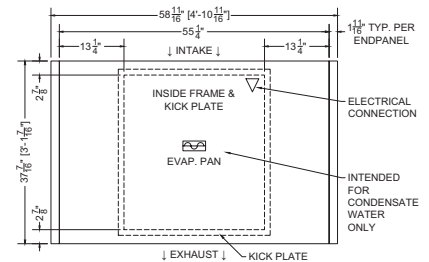
- **Nominal Length:** 4.6', 6.2', & 8.3'
- Self-contained
- **Refrigerant:** R290 Propane
- **Exterior:** Black powder coating

PRODUCT CATEGORIES



04.6-SAR-41TSDS-S | Cibola Island Merchandiser

QTY	DESCRIPTION	PART NUMBER	VOLTAGE	PHASE	AMPS	TOTAL AMPS
1	EVAPORATOR FAN	AFXXX	208-230V	1	0.08	0.08
2	COMPRESSOR	---	208-230V	1	2.21	4.42
2	CONDENSER COIL FAN MOTOR	---	208-230V	1	0.10	0.20
1	EVAP PAN	---	208-230V	1	1.82	1.82
1	DRAIN HEATERS	---	208-230V	1	1.14	1.14
1	ANTI-COND. HEATERS	---	208-230V	1	0.68	0.68
2	DEFROST HEATERS	---	208-230V	1	5.00	10.00



Plan Mechanical View

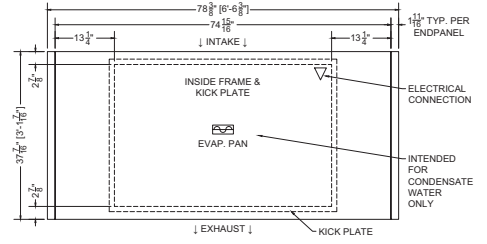
CIRCUIT#1 **TOTAL AMPS:** 13.91 **VOLTAGE:** 208-230/1/60 **CONNECTION:** 6-20P
 * NOT ALL ELECTRICAL COMPONENTS RUN CONCURRENTLY (COMPRESSOR WILL NOT RUN DURING DEFROST)
MODEL: SAR-41TSDS **APPLICATION:** DUAL **BTUH:** 1781/2900 **EVAP TEMP:** -31/14°F
DEFROST: TIME-OFF, 4/45MIN, 50° TEMP TERMINATION **PACKOUT VOLUME:** 10.75 CUBIC FT.
 * R290 (PROPANE) REFRIGERATION AVAILABLE **INTERNAL VOLUME:** 14.94 CUBIC FT.





06.2-SAR-41TSDS-S | Cibola Island Merchandiser

QTY	DESCRIPTION	PART NUMBER	VOLTAGE	PHASE	AMPS	TOTAL AMPS
2	EVAPORATOR FAN	AFXXX	208-230V	1	0.08	0.16
2	COMPRESSOR	---	208-230V	1	2.31	4.62
2	CONDENSER COIL FAN MOTOR	---	208-230V	1	0.10	0.20
1	EVAP PAN	---	208-230V	1	1.82	1.82
1	DRAIN HEATERS	---	208-230V	1	1.59	1.59
1	ANTI-COND. HEATERS	---	208-230V	1	0.91	0.91
2	DEFROST HEATERS	---	208-230V	1	6.82	13.64

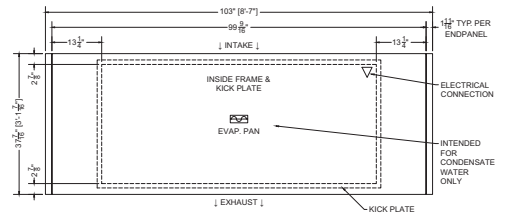


Plan Mechanical View

CIRCUIT#1 TOTAL AMPS: 22.94 VOLTAGE: 208-230/1/60 CONNECTION: 6-30P
 * NOT ALL ELECTRICAL COMPONENTS RUN CONCURRENTLY (COMPRESSOR WILL NOT RUN DURING DEFROST)
 MODEL: SAR-41TSDS APPLICATION: DUAL BTUH: 2375/3364 EVAP TEMP: -31/14°F
 DEFROST: TIME-OFF, 4/45MIN, 50° TEMP TERMINATION PACKOUT VOLUME: 14.57 CUBIC FT.
 * R290 (PROPANE) REFRIGERATION AVAILABLE INTERNAL VOLUME: 20.26 CUBIC FT.

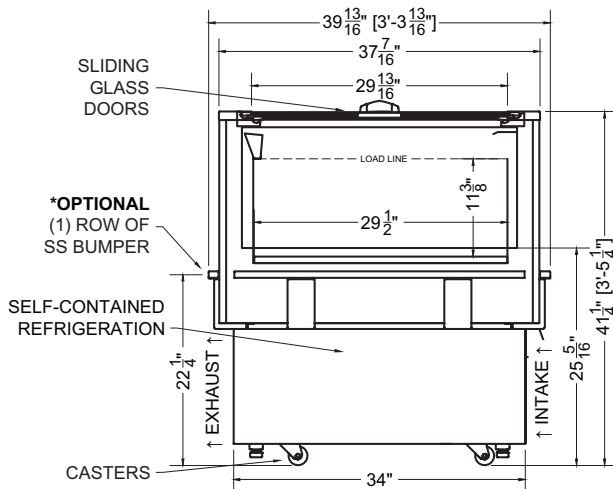
08.3-SAR-41TSDS-S | Cibola Island Merchandiser

QTY	DESCRIPTION	PART NUMBER	VOLTAGE	PHASE	AMPS	TOTAL AMPS
3	EVAPORATOR FAN	AFXXX	208-230V	1	0.08	0.24
2	COMPRESSOR	---	208-230V	1	3.90	7.79
2	CONDENSER COIL FAN MOTOR	---	208-230V	1	0.10	0.20
1	EVAP PAN	---	208-230V	1	1.82	1.82
1	DRAIN HEATERS	---	208-230V	1	1.82	1.82
1	ANTI-COND. HEATERS	---	208-230V	1	1.14	1.14
2	DEFROST HEATERS	---	208-230V	1	9.09	18.18



Plan Mechanical View

CIRCUIT#1 TOTAL AMPS: 23.40 VOLTAGE: 208-230/1/60 CONNECTION: 6-30P
 * NOT ALL ELECTRICAL COMPONENTS RUN CONCURRENTLY (COMPRESSOR WILL NOT RUN DURING DEFROST)
 MODEL: SAR-41TSDS APPLICATION: DUAL BTUH: 3146/4408 EVAP TEMP: -31/14°F
 DEFROST: TIME-OFF, 4/45MIN, 50° TEMP TERMINATION PACKOUT VOLUME: 19.36 CUBIC FT.
 * R290 (PROPANE) REFRIGERATION AVAILABLE INTERNAL VOLUME: 26.91 CUBIC FT.



Section View
for 04.6, 06.2 & 08.3

For more information on the Cibola Island Merchandiser, contact one of our Southern CaseArts representatives or check out our website to learn more about all of the products offered by Southern CaseArts.