



**Clair**  
**Multideck Island | Hot & Cold**  
**EVO-04N-R**



southerncasearts.com | 800.552.6283



**OVERVIEW**

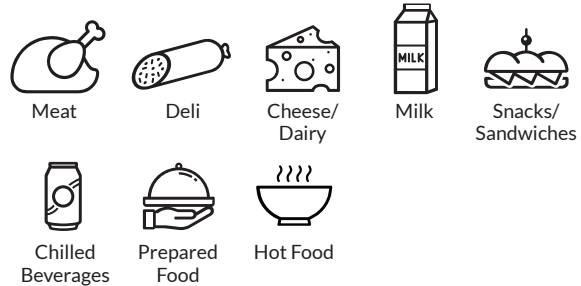


The Clair Multideck Island from Southern CaseArts is a merchandising powerhouse. This case features cold center display areas on both sides and heated endcaps providing opportunities for displaying hot and cold foods in a single case. Available in multiple lengths, all with adjustable shelves with LED lighting, this energy efficient merchandiser will no doubt be the main attraction in your store.

**STANDARD FEATURES**

- **Nominal Length:** 9.0', 13.0' & 17.0'
- **Shelves:** Adjustable shelves with LED lights
- **Interior Lighting:** LED
- Remote
- **Exterior:** Black powder coat

**PRODUCT CATEGORIES**

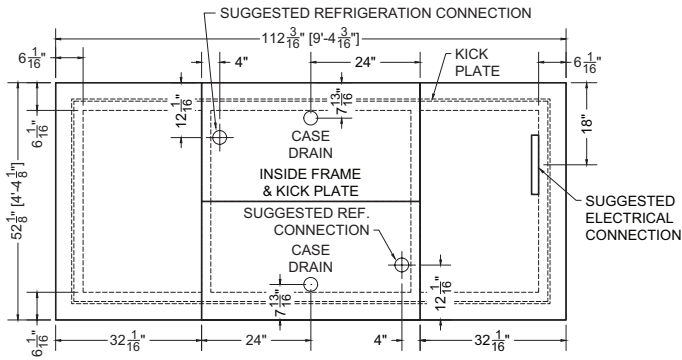


09.0-EVO-04N-R | Clair Multideck Island

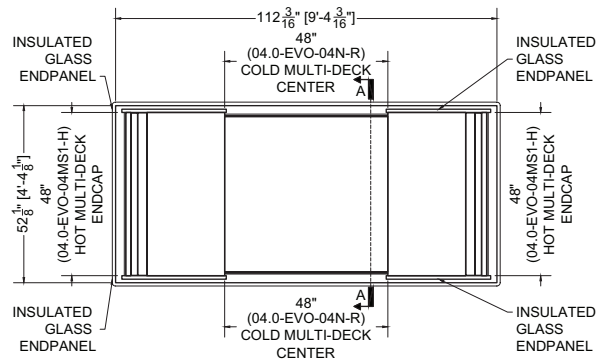
QTY	DESCRIPTION	PART NUMBER	VOLTAGE	PHASE	AMPS	TOTAL AMPS
18	12" LED 3500K, FROSTED, 24V	LG-FX-XXX-X	115V	1	0.02	0.36
8	45" LED 3500K, FROSTED, 24V	LG-FX-XXX-X	115V	1	0.09	0.72
6	EVAPORATOR FAN	AFXXX	115V	1	0.24	1.44
2	FOIL HEATER, CANOPY, 4'	FS-HT-0514-A	208V	1	3.60	7.20
4	FOIL HEATER, SHELF, 4'	FS-HT-0514-A	208V	1	3.60	14.40
4	FOIL HEATER, BASE DECK, 4'	FS-HT-0274-A	208V	1	2.50	10.00

CIRCUIT#1 (COLD LIGHTS) **TOTAL AMPS:** 0.72 **VOLTAGE:** 115/1/60 **CONNECTION:** HARDWIRED  
 CIRCUIT#2 (FANS) **TOTAL AMPS:** 1.44 **VOLTAGE:** 115/1/60 **CONNECTION:** HARDWIRED  
 CIRCUIT#3 (HOT END #1) **TOTAL AMPS:** 15.98 **VOLTAGE:** 208/1/60 **CONNECTION:** HARDWIRED  
 CIRCUIT#4 (HOT END #2) **TOTAL AMPS:** 15.98 **VOLTAGE:** 208/1/60 **CONNECTION:** HARDWIRED  
 MODEL: EVO-04N **APPLICATION:** DELI **BTUH:** 8184 **EVAP TEMP:** 22°F  
 DEFROST: TIME-OFF, 4/40MIN, 47° TEMP TERMINATION

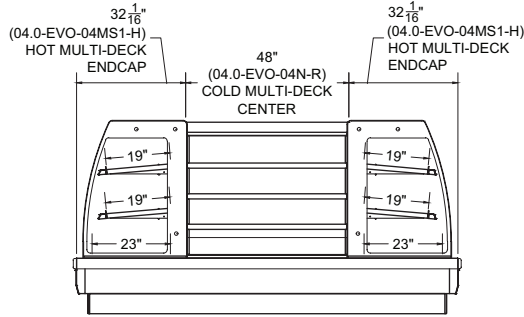




Plan Mechanical View

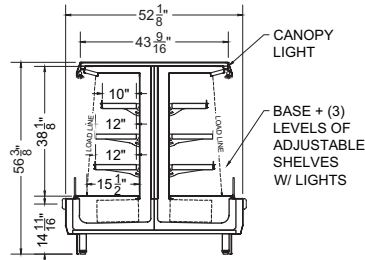


Plan View



Cold Multideck

SIDE VIEW



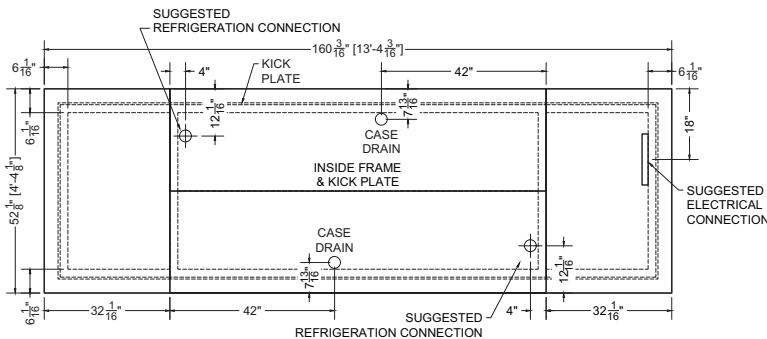
Section A:A View

COLD MULTI-DECK CENTER

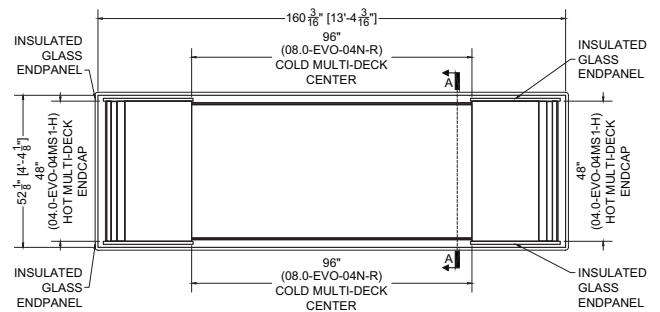
13.0-EVO-04N-R | Clair Multideck Island

QTY	DESCRIPTION	PART NUMBER	VOLTAGE	PHASE	AMPS	TOTAL AMPS
18	12" LED 3500K, FROSTED, 24V	LG-FX-XXX-X	115V	1	0.02	0.36
16	45" LED 3500K, FROSTED, 24V	LG-FX-XXX-X	115V	1	0.09	1.44
8	EVAPORATOR FAN	AFXXX	115V	1	0.17	1.36
2	FOIL HEATER, CANOPY, 4'	FS-HT-0514-A	208V	1	3.60	7.20
4	FOIL HEATER, SHELF, 4'	FS-HT-0514-A	208V	1	3.60	14.40
4	FOIL HEATER, BASE DECK, 4'	FS-HT-0274-A	208V	1	2.50	10.00

CIRCUIT#1 (COLD LIGHTS) **TOTAL AMPS: 1.44 VOLTAGE: 115/1/60 CONNECTION: HARDWIRED**  
 CIRCUIT#2 (FANS) **TOTAL AMPS: 1.36 VOLTAGE: 115/1/60 CONNECTION: HARDWIRED**  
 CIRCUIT#3 (HOT END #1) **TOTAL AMPS: 15.98 VOLTAGE: 208/1/60 CONNECTION: HARDWIRED**  
 CIRCUIT#4 (HOT END #2) **TOTAL AMPS: 15.98 VOLTAGE: 208/1/60 CONNECTION: HARDWIRED**  
**MODEL: EVO-04N APPLICATION: DELI BTUH: 16368 EVAP TEMP: 22°F**  
**DEFROST: TIME-OFF, 4/40MIN, 47° TEMP TERMINATION**



Plan Mechanical View

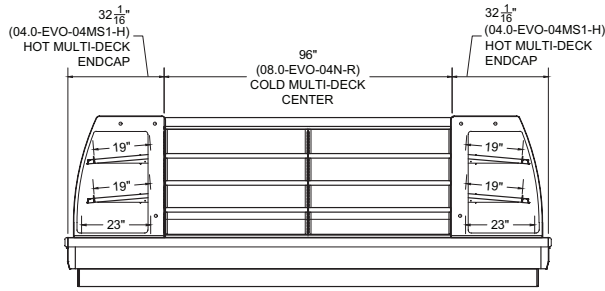


Plan View



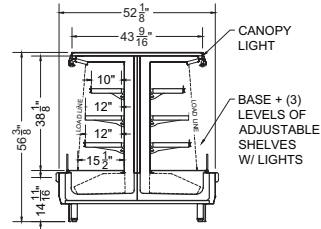
southerncasearts.com

© 2024 Southern CaseArts. All rights reserved. Information and specifications subject to change without notice. All values are design or typical values when measured under laboratory conditions.



**Cold Multideck**

SIDE VIEW



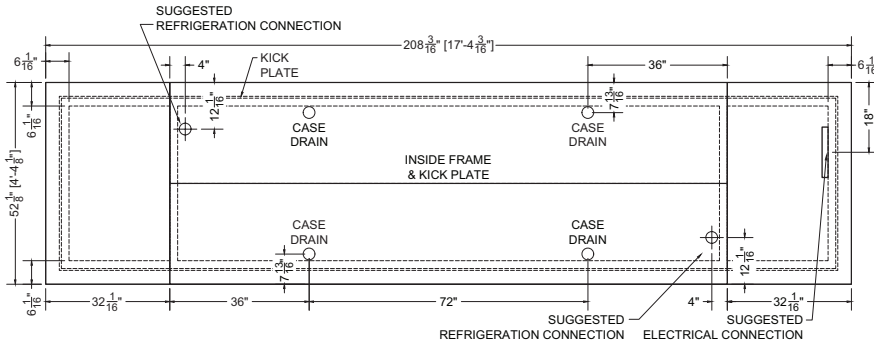
**Section A:A View**

COLD MULTI-DECK CENTER

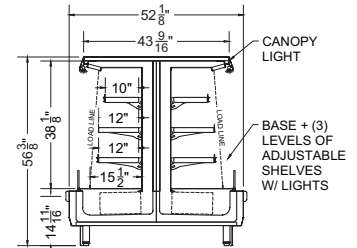
**17.0-EVO-04N-R | Clair Multideck Island**

QTY	DESCRIPTION	PART NUMBER	VOLTAGE	PHASE	AMPS	TOTAL AMPS
18	12" LED 3500K, FROSTED, 24V	LG-FX-XXX-X	115V	1	0.02	0.36
16	67" LED 3500K, FROSTED, 24V	LG-FX-XXX-X	115V	1	0.13	2.08
16	EVAPORATOR FAN	AFXXX	115V	1	0.24	3.84
2	FOIL HEATER, CANOPY, 4'	FS-HT-0514-A	208V	1	3.60	7.20
4	FOIL HEATER, SHELF, 4'	FS-HT-0514-A	208V	1	3.60	14.40
4	FOIL HEATER, BASE DECK, 4'	FS-HT-0274-A	208V	1	2.50	10.00

CIRCUIT#1 (COLD LIGHTS) **TOTAL AMPS: 2.08 VOLTAGE: 115/1/60 CONNECTION: HARDWIRED**  
 CIRCUIT#2 (FANS) **TOTAL AMPS: 3.84 VOLTAGE: 115/1/60 CONNECTION: HARDWIRED**  
 CIRCUIT#3 (HOT END #1) **TOTAL AMPS: 15.98 VOLTAGE: 208/1/60 CONNECTION: HARDWIRED**  
 CIRCUIT#4 (HOT END #2) **TOTAL AMPS: 15.98 VOLTAGE: 208/1/60 CONNECTION: HARDWIRED**  
**MODEL: EVO-04N APPLICATION: DELI BTUH: 24552 EVAP TEMP: 22°F**  
**DEFROST: TIME-OFF, 4/40MIN, 47° TEMP TERMINATION**

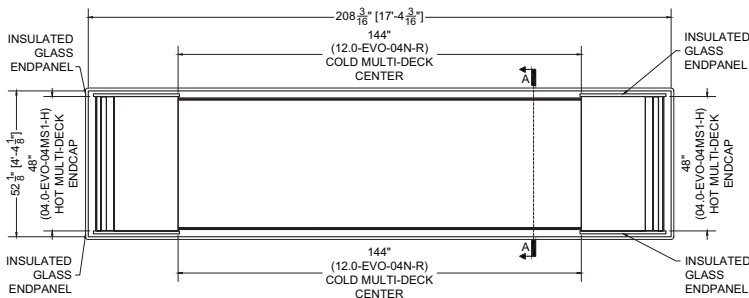


**Plan Mechanical View**

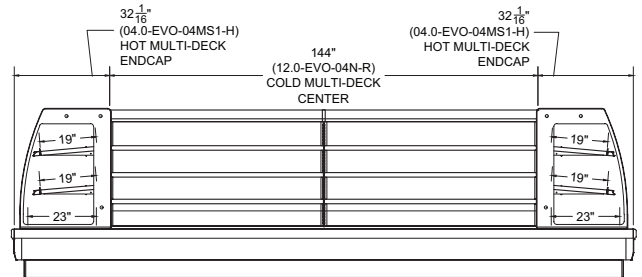


**Section A:A View**

COLD MULTI-DECK CENTER



**Plan View**



**Cold Multideck**

SIDE VIEW



CONFORMS TO UL STD 471. | CONFORMS TO NSF STD 4.  
 CONFORMS TO UL STD 197. | CERTIFIED TO CAN/CSA STD  
 CONFORMS TO NSF STD 7. | C22.2 NO. 120.

For more information on the Clair Multideck Island, contact one of our Southern CaseArts representatives or check out our website to learn more about all of the products offered by Southern CaseArts.



[southerncasearts.com](http://southerncasearts.com)

© 2024 Southern CaseArts. All rights reserved. Information and specifications subject to change without notice. All values are design or typical values when measured under laboratory conditions.