



Columbia
Multideck Merchandiser | Cold
MDC-64LS-R



southerncasearts.com | 800.552.6283



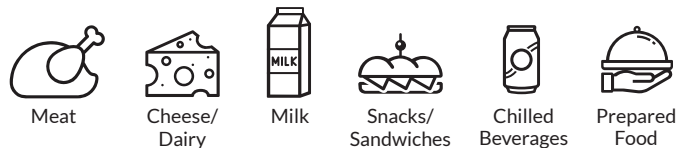
OVERVIEW ❄️

The **Columbia Multideck Case** from **Southern CaseArts** is a great grab-n-go merchandiser to add to your store. With three adjustable shelves with LED lighting, this case not only showcases the products, but also provides maximum packout. Perfect for meats, cheese, dairy, sandwiches, prepared foods, and beverages.

STANDARD FEATURES

- **Nominal Length:** 4.0', 8.0' & 12.0'
- **Interior Lighting:** 3500K LED lights
- **Shelving:** 3 adjustable shelves with LED lights
- Remote
- **Exterior:** Black powder coat

PRODUCT CATEGORIES



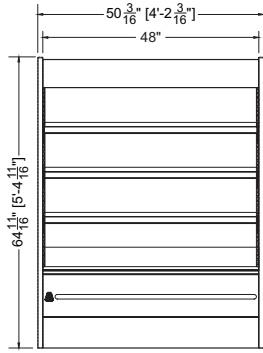
04.0-MDC-64LS-R | Columbia Multideck Merchandiser

QTY	DESCRIPTION	PART NUMBER	VOLTAGE	PHASE	AMPS	TOTAL AMPS
4	45" LED 3500K, FROSTED, 24V	LG-FX-XXX-X	115V	1	0.09	0.36
2	EVAPORATOR FAN	RF-FA-XXXX	115V	1	0.17	0.34

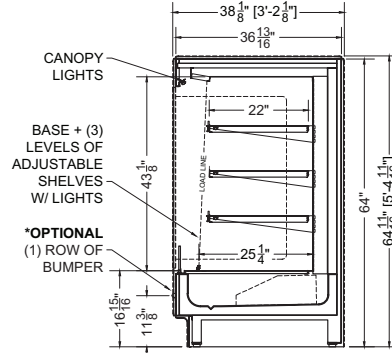
CIRCUIT#1 (LIGHTS) **TOTAL AMPS:** 0.36 **VOLTAGE:** 115/1/60 **CONNECTION:** HARDWIRED
 CIRCUIT#2 (FANS) **TOTAL AMPS:** 0.34 **VOLTAGE:** 115/1/60 **CONNECTION:** HARDWIRED
 MODEL: MDC-64LS **APPLICATION:** DELI **BTUH:** 4725 **EVAP TEMP:** 24°F
 DEFROST: TIME-OFF, 4/40 MIN, 47° TEMP TERMINATION

PACKOUT VOLUME: 29.18 CUBIC FT.
INTERNAL VOLUME: 35.69 CUBIC FT.

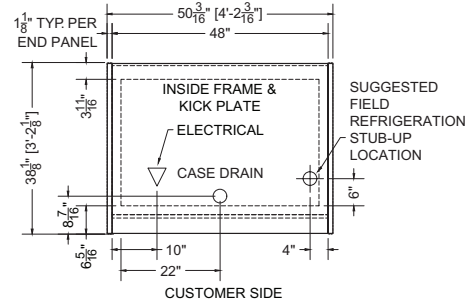




Front View
04.0-MDC-64LS-R



Section View
04.0-MDC-64LS-R



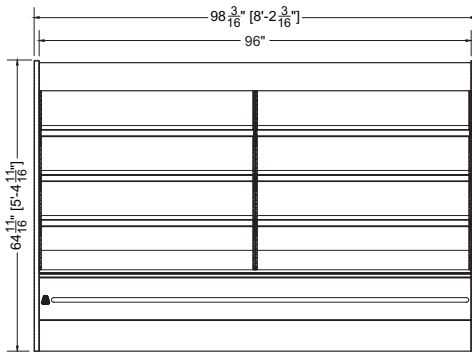
Plan Mechanical View
04.0-MDC-64LS-R

08.0-MDC-64LS-R | Columbia Multideck Merchandiser

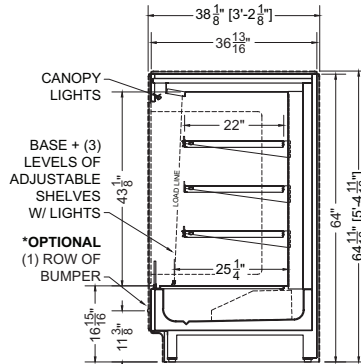
QTY	DESCRIPTION	PART NUMBER	VOLTAGE	PHASE	AMPS	TOTAL AMPS
8	45" LED 3500K, FROSTED, 24V	LG-FX-XXX-X	115V	1	0.09	0.72
4	EVAPORATOR FAN	RF-FA-XXXX	115V	1	0.17	0.68

CIRCUIT#1 (LIGHTS) TOTAL AMPS: 0.72 VOLTAGE:115/1/60 CONNECTION: HARDWIRED
 CIRCUIT#2 (FANS) TOTAL AMPS: 0.68 VOLTAGE:115/1/60 CONNECTION: HARDWIRED
 MODEL: MDC-64LS APPLICATION: DELI BTUH: 9450 EVAP TEMP: 24°F
 DEFROST: TIME-OFF, 4/40 MIN, 47° TEMP TERMINATION

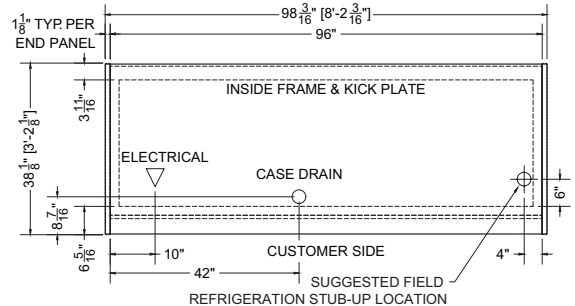
PACKOUT VOLUME: 58.36 CUBIC FT.
 INTERNAL VOLUME: 71.38 CUBIC FT.



Front View
08.0-MDC-64LS-R



Section View
08.0-MDC-64LS-R



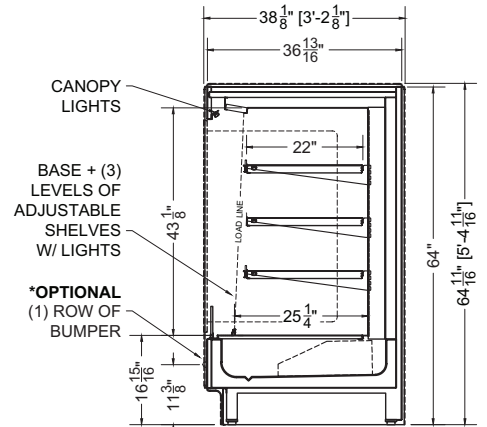
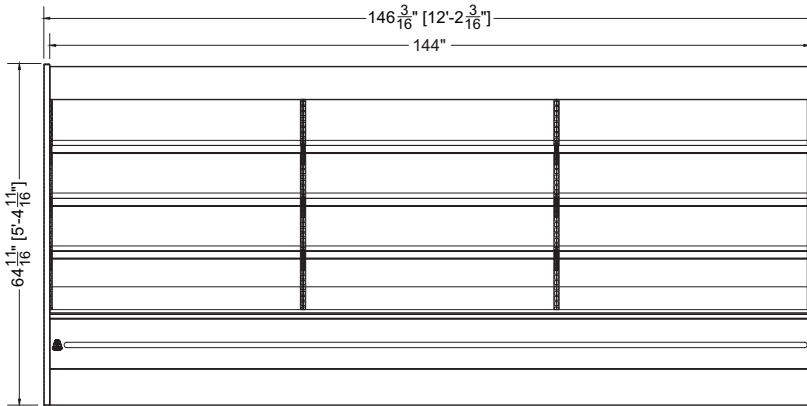
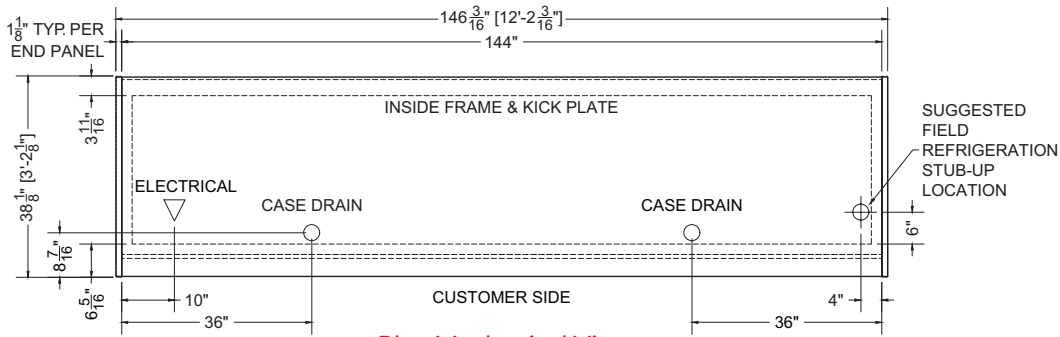
Plan Mechanical View
08.0-MDC-64LS-R

12.0-MDC-64LS-R | Columbia Multideck Merchandiser

QTY	DESCRIPTION	PART NUMBER	VOLTAGE	PHASE	AMPS	TOTAL AMPS
12	45" LED 3500K, FROSTED, 24V	LG-FX-XXX-X	115V	1	0.09	1.08
6	EVAPORATOR FAN	RF-FA-XXXX	115V	1	0.17	1.02

CIRCUIT#1 (LIGHTS) TOTAL AMPS: 1.08 VOLTAGE:115/1/60 CONNECTION: HARDWIRED
 CIRCUIT#2 (FANS) TOTAL AMPS: 1.02 VOLTAGE:115/1/60 CONNECTION: HARDWIRED
 MODEL: MDC-64LS APPLICATION: DELI BTUH: 14580 EVAP TEMP: 24°F
 DEFROST: TIME-OFF, 4/40 MIN, 47° TEMP TERMINATION

PACKOUT VOLUME: 87.54 CUBIC FT.
 INTERNAL VOLUME: 107.08 CUBIC FT.



CONFORMS TO UL STD 471.
CONFORMS TO NSF STD 7.
CERTIFIED TO CAN/CSA STD C22.2 NO. 120.

For more information on the Columbia Multideck Merchandiser, contact one of our Southern CaseArts representatives or check out our website to learn more about all of the products offered by Southern CaseArts.