



Cumberland
Multideck Island Merchandiser | Hot
FSE-HCI3-H & FSE-HLI-H



southerncasearts.com | 800.552.6283



OVERVIEW

The **Cumberland Multideck Island Merchandiser** from **Southern CaseArts** is the ideal heated case to showcase rotisserie chicken and other hot grab-n-go foods. This energy efficient island features overhead heat and LED lights in the canopy and 2 shelves. The Cumberland is sure to become the hottest spot in your store.

STANDARD FEATURES

- **Nominal Length:** 4.3', 7.1', 10.1' & 12.1'
- **Interior Lighting:** 3500K LED lights
- **Shelving:** 1 or 2 shelves with LED lights
- **Exterior:** Stainless steel

PRODUCT CATEGORIES



Hot Food

04.3-FSE-HLI-H | Cumberland Multideck Island Merchandiser

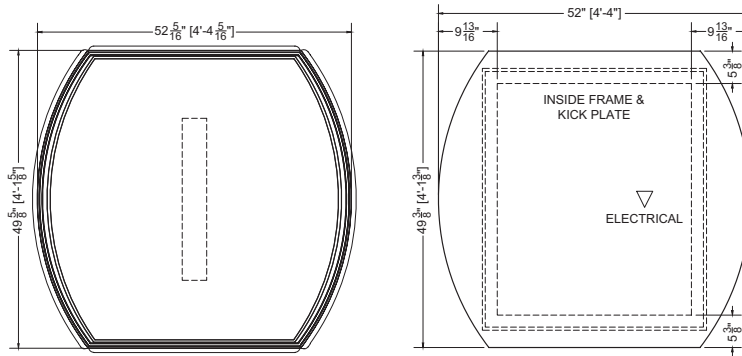
QTY	DESCRIPTION	PART NUMBER	VOLTAGE	PHASE	AMPS	TOTAL AMPS	L1	L2
20	12" LED 3500K, FROSTED, 24V	LG-FX-XXX-X	115V	1	0.02	0.40	0.40	---
2	FOIL HEATER, BASE DECK, RADIUS	FS-HT-0848	208V	1	4.94	9.88	9.88	9.88
4	FOIL HEATER, BASE DECK, RADIUS	FS-HT-0263	208V	1	3.48	13.92	13.92	13.92

CIRCUIT#1 (LOAD CENTER) **TOTAL AMPS:** (L1 = 24.20 / L2 = 23.80) **VOLTAGE:**208/1/60, 3-WIRE **CONNECTION:** HARDWIRED



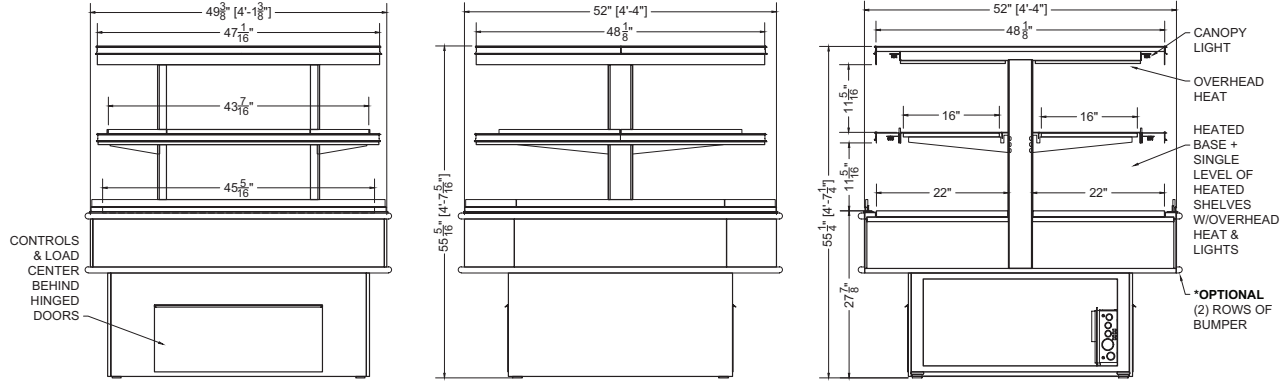


04.3-FSE-HLI-H



Plan View

Plan Mechanical View



End View

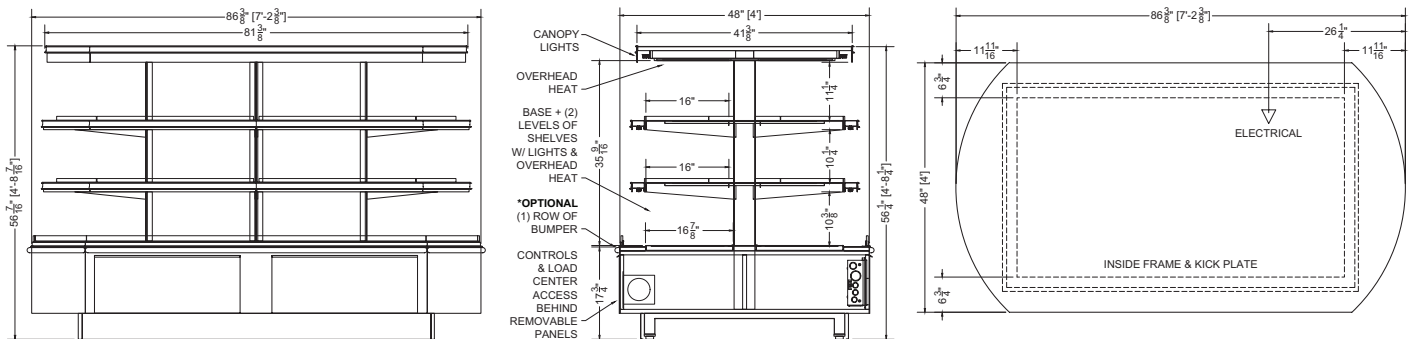
Front View

Section View

07.1-FSE-HCI3-H | Cumberland Multideck Island Merchandiser

QTY	DESCRIPTION	PART NUMBER	VOLTAGE	PHASE	AMPS	TOTAL AMPS	L1	L2
18	12" LED 3500K, FROSTED, 24V	LG-FX-XXX-X	115V	1	0.02	0.36	0.36	---
12	29" LED 3500K, FROSTED, 24V	LG-FX-XXX-X	115V	1	0.05	0.60	0.60	---
8	FOIL HEATER, CUSTOMER LEFT	FS-HT-0962-A	208V	1	2.02	16.16	16.16	16.16
8	FOIL HEATER, CUSTOMER RIGHT	FS-HT-0963-A	208V	1	2.02	16.16	16.16	16.16
8	FOIL HEATER, RADIUS END	FS-HT-0964-A	208V	1	1.78	14.24	14.24	14.24

CIRCUIT#1 (LOAD CENTER) TOTAL AMPS: (L1 = 47.52 / L2 = 46.56) VOLTAGE:208/1/60, 3-WIRE CONNECTION: HARDWIRED



Side View

Section View

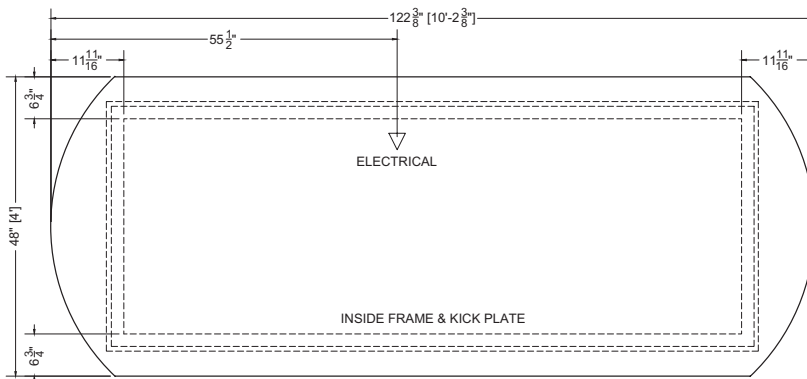
Plan Mechanical View



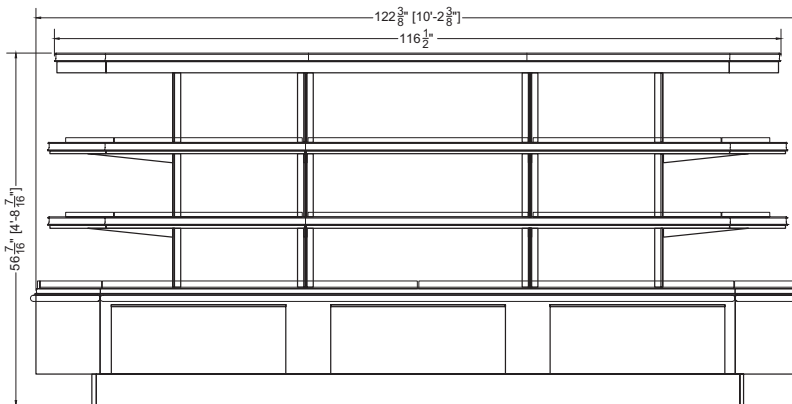
10.1-FSE-HCI3-H | Cumberland Multideck Island Merchandiser

QTY	DESCRIPTION	PART NUMBER	VOLTAGE	PHASE	AMPS	TOTAL AMPS	L1	L2
18	12" LED 3500K, FROSTED, 24V	LG-FX-XXX-X	115V	1	0.02	0.36	0.36	---
12	29" LED 3500K, FROSTED, 24V	LG-FX-XXX-X	115V	1	0.05	0.60	0.60	---
6	34" LED 3500K, FROSTED, 24V	LG-FX-XXX-X	115V	1	0.07	0.42	0.42	---
8	FOIL HEATER, SHELF, 3'	FS-HT-0588-A	208V	1	2.70	21.60	21.60	21.60
8	FOIL HEATER, CUSTOMER LEFT	FS-HT-0962-A	208V	1	2.02	16.16	16.16	16.16
8	FOIL HEATER, CUSTOMER RIGHT	FS-HT-0963-A	208V	1	2.02	16.16	16.16	16.16
8	FOIL HEATER, RADIUS END	FS-HT-0964-A	208V	1	1.78	14.24	14.24	14.24

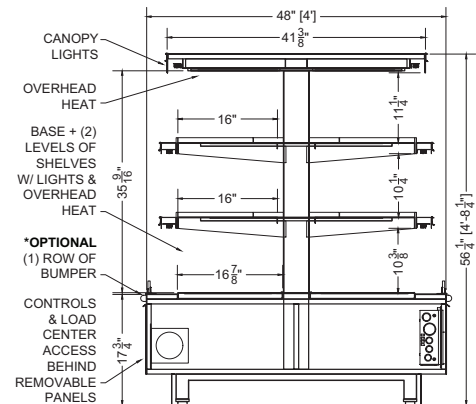
CIRCUIT#1 (LOAD CENTER) TOTAL AMPS: (L1 = 69.54 / L2 = 68.16) VOLTAGE: 208/1/60, 3-WIRE CONNECTION: HARDWIRED



Plan Mechanical View



Side View



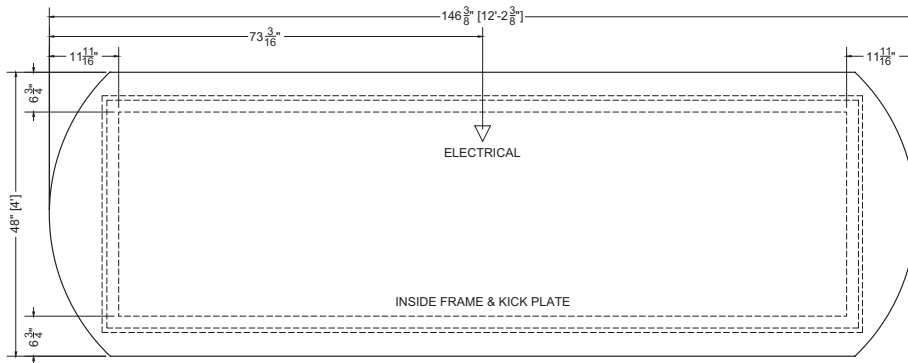
Section View



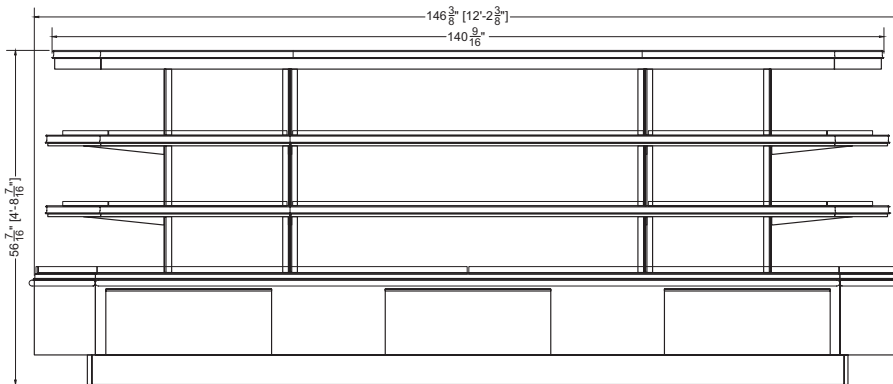
12.1-FSE-HCI3-H | Cumberland Multideck Island Merchandiser

QTY	DESCRIPTION	PART NUMBER	VOLTAGE	PHASE	AMPS	TOTAL AMPS	L1	L2
18	12" LED 3500K, FROSTED, 24V	LG-FX-XXX-X	115V	1	0.02	0.36	0.36	---
6	23" LED 3500K, FROSTED, 24V	LG-FX-XXX-X	115V	1	0.04	0.24	0.24	---
18	29" LED 3500K, FROSTED, 24V	LG-FX-XXX-X	115V	1	0.05	0.90	0.90	---
8	FOIL HEATER, SHELF, 5'	FS-HT-0507-A	208V	1	4.50	36.00	36.00	36.00
8	FOIL HEATER, CUSTOMER LEFT	FS-HT-0962-A	208V	1	2.02	16.16	16.16	16.16
8	FOIL HEATER, CUSTOMER RIGHT	FS-HT-0963-A	208V	1	2.02	16.16	16.16	16.16
8	FOIL HEATER, RADIUS END	FS-HT-0964-A	208V	1	1.78	14.24	14.24	14.24

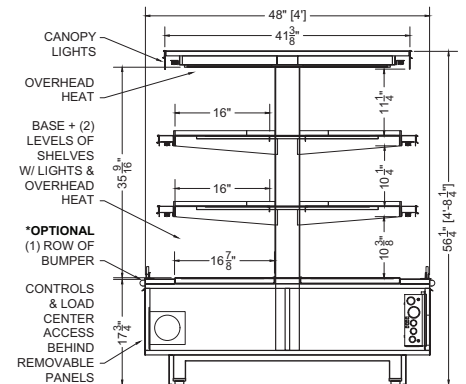
CIRCUIT#1 (LOAD CENTER) TOTAL AMPS: (L1 = 84.06 / L2 = 82.56) VOLTAGE:208/1/60, 3-WIRE CONNECTION: HARDWIRED



Plan Mechanical View



Side View



Section View



CONFORMS TO UL STD 197.
CONFORMS TO NSF STD 4.
CERTIFIED TO CAN/CSA STD C22.2 NO. 120.

For more information on the Cumberland Multideck Island Merchandiser, contact one of our Southern CaseArts representatives or check out our website to learn more about all of the products offered by Southern CaseArts.