



Echo
Multideck Island | Cold
EVO-04N-R



southerncasearts.com | 800.552.6283



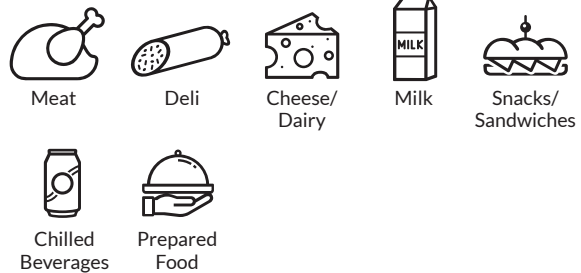
OVERVIEW ❄️

The **Echo Multideck Island** from **Southern CaseArts** is a merchandising powerhouse. This case features cold double sided display area along with two endcaps providing opportunities to showcase a variety of products such as meats, cheese, dairy, sandwiches, prepared foods, and beverages all in the same case. Available in multiple lengths, all with adjustable shelves featuring LED lighting, this energy efficient merchandiser will no doubt be the main attraction in your store.

STANDARD FEATURES

- **Nominal Length:** 8.0', 12.0' & 16.0'
- **Shelves:** Adjustable shelves with LED lights
- **Interior Lighting:** 3500K LED
- Remote
- **Exterior:** Black powder coat

PRODUCT CATEGORIES

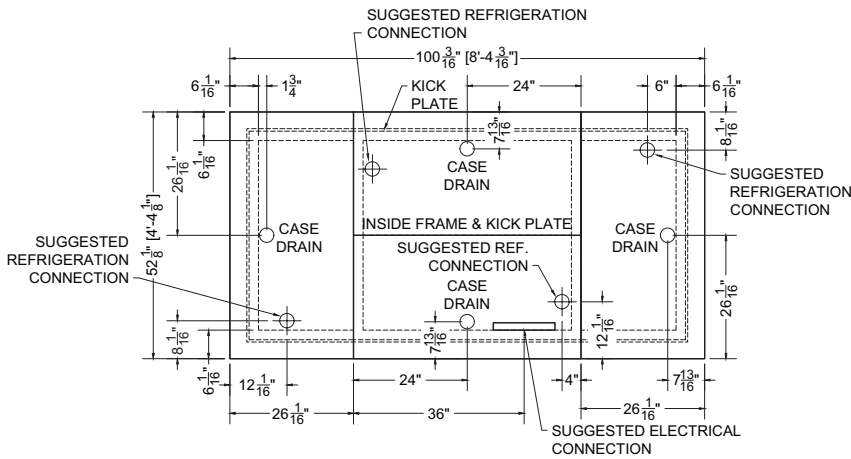


08.0-EVO-04N-R | Echo Multideck Island

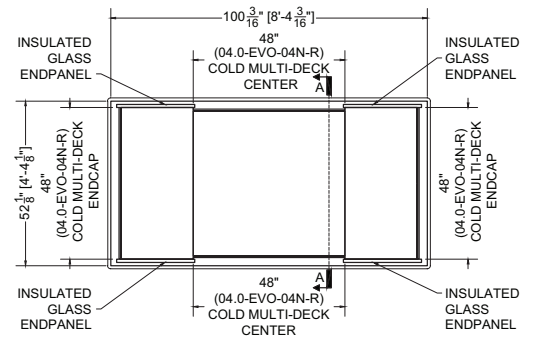
QTY	DESCRIPTION	PART NUMBER	VOLTAGE	PHASE	AMPS	TOTAL AMPS
16	45" LED 3500K, FROSTED, 24V	LG-FX-XXX-X	115V	1	0.09	1.44
12	EVAPORATOR FAN	AFXXX	115V	1	0.24	2.88

CIRCUIT#1 (LIGHTS) **TOTAL AMPS: 1.44** **VOLTAGE: 115/1/60** **CONNECTION: HARDWIRED**
 CIRCUIT#2 (FANS) **TOTAL AMPS: 2.88** **VOLTAGE: 115/1/60** **CONNECTION: HARDWIRED**
 MODEL: EVO-04N **APPLICATION: DELI** **BTUH: 16368** **EVAP TEMP: 22°F**
 DEFROST: TIME-OFF, 4/40MIN, 47° TEMP TERMINATION

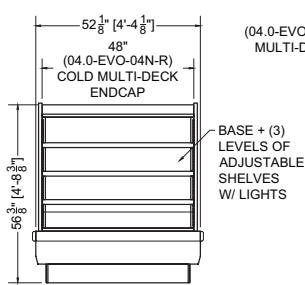




Plan Mechanical View

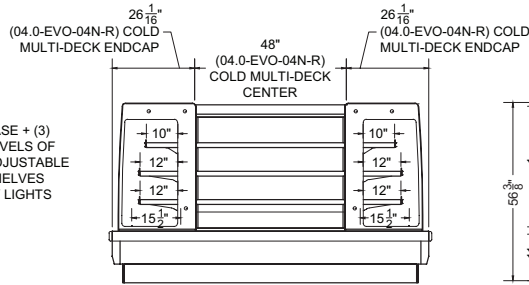


Plan View



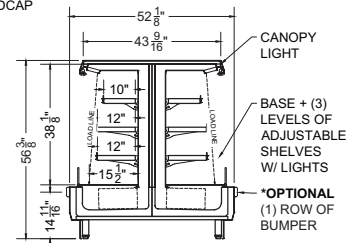
Cold Multideck

END VIEW



Cold Multideck

SIDE VIEW



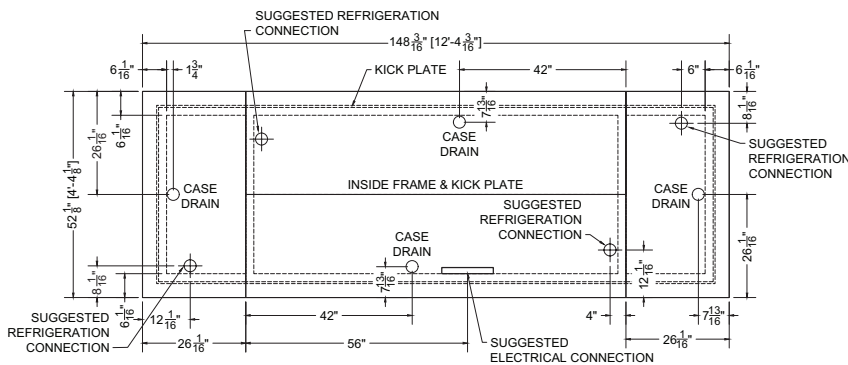
Section A:A View

COLD MULTI-DECK CENTER

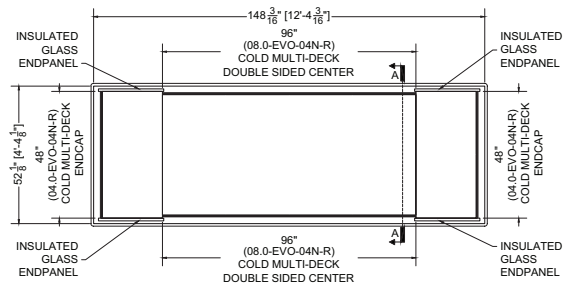
12.0-EVO-04N-R | Echo Multideck Island

QTY	DESCRIPTION	PART NUMBER	VOLTAGE	PHASE	AMPS	TOTAL AMPS
24	45" LED 3500K, FROSTED, 24V	LG-FX-XXX-X	115V	1	0.09	2.16
12	EVAPORATOR FAN	RF-FA-XXXX	115V	1	0.17	2.04

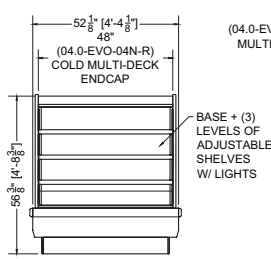
CIRCUIT#1 (LIGHTS) TOTAL AMPS: 2.16 VOLTAGE: 115/1/60 CONNECTION: HARDWIRED
 CIRCUIT#2 (FANS) TOTAL AMPS: 2.04 VOLTAGE: 115/1/60 CONNECTION: HARDWIRED
 MODEL: EVO-04N APPLICATION: DELI BTUH: 24552 EVAP TEMP: 22°F
 DEFROST: TIME-OFF, 4/40MIN, 47° TEMP TERMINATION



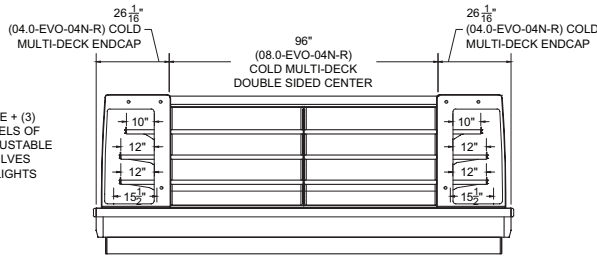
Plan Mechanical View



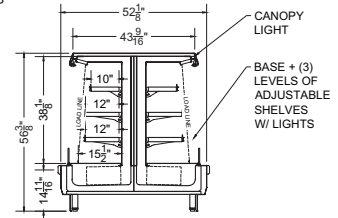
Plan View



Cold Multideck
END VIEW



Cold Multideck
SIDE VIEW

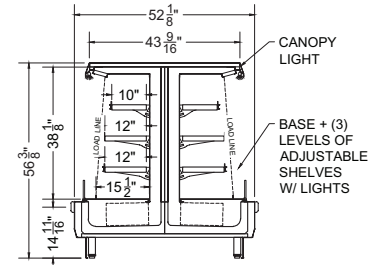


Section A:A View
COLD MULTI-DECK CENTER

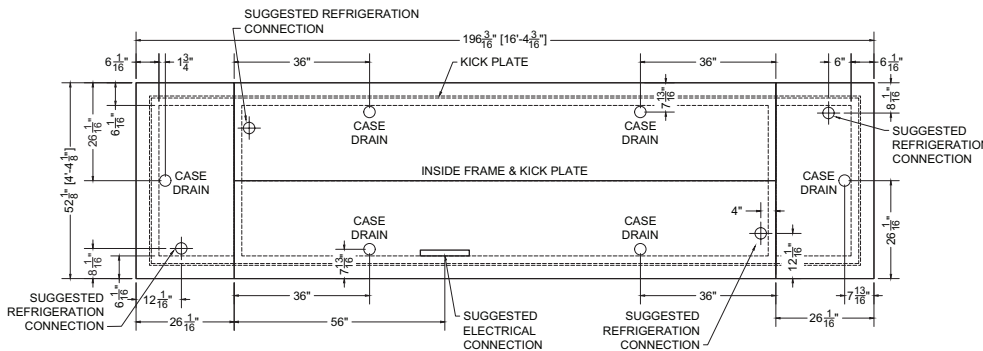
16.0-EVO-04N-R | Echo Multideck Island

QTY	DESCRIPTION	PART NUMBER	VOLTAGE	PHASE	AMPS	TOTAL AMPS
8	45" LED 3500K, FROSTED, 24V	LG-FX-XXX-X	115V	1	0.09	0.72
16	67" LED 3500K, FROSTED, 24V	LG-FX-XXX-X	115V	1	0.13	2.08
22	EVAPORATOR FAN	AFXXX	115V	1	0.24	5.28

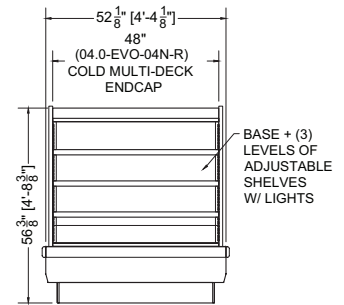
CIRCUIT#1 (LIGHTS) **TOTAL AMPS: 2.80** **VOLTAGE: 115/1/60** **CONNECTION: HARDWIRED**
 CIRCUIT#2 (FANS) **TOTAL AMPS: 5.28** **VOLTAGE: 115/1/60** **CONNECTION: HARDWIRED**
 MODEL: EVO-04N **APPLICATION: DELI** **BTUH: 32736** **EVAP TEMP: 22°F**
 DEFROST: TIME-OFF, 4/40MIN, 47° TEMP TERMINATION



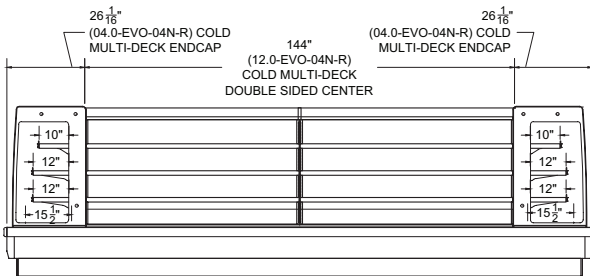
Section A:A View
COLD MULTI-DECK CENTER



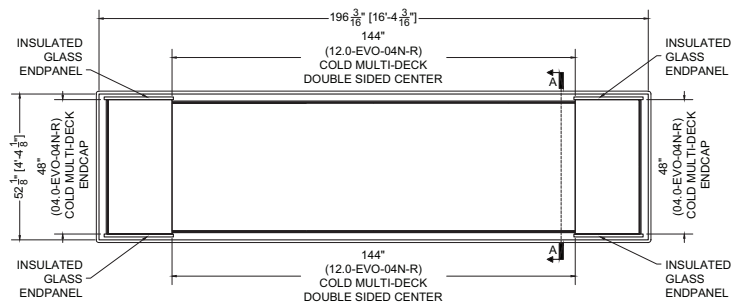
Plan Mechanical View



Cold Multideck
END VIEW



Cold Multideck
SIDE VIEW



Plan View



CONFORMS TO UL STD 471.
 CONFORMS TO NSF STD 7.
 CERTIFIED TO CAN/CSA STD C22.2 NO. 120.

For more information on the Echo Multideck Island, contact one of our **Southern CaseArts** representatives or check out our website to learn more about all of the products offered by **Southern CaseArts**.



southerncasearts.com

© 2024 Southern CaseArts. All rights reserved. Information and specifications subject to change without notice. All values are design or typical values when measured under laboratory conditions.