



**Elm**  
**Open Display Merchandiser | Cold**  
**02.5-ODC-02B-S**



southerncasearts.com | 800.552.6283



**OVERVIEW**



The **Elm Spot Merchandiser** from **Southern CaseArts** may be compact, but it provides major merchandise opportunities for grab-n-go foods and beverages. This self-contained case features 2 adjustable shelves for maximum packout. The wooden slat wall exterior fits well with any décor and the optional slat wall shelves provide additional merchandise space for added sales.

**STANDARD FEATURES**

- **Nominal Length:** 2.5'
- **Shelves:** 2 adjustable shelves with LED lights
- Self-contained
- Attractive wooden slat wall exterior
- Optional slat wall shelves
- **Exterior:** Black powder coat and wood

**PRODUCT CATEGORIES**



Meat



Snacks/  
Sandwiches



Chilled  
Beverages



Prepared  
Food

02.5-ODC-02B-S | Elm Spot Merchandiser

QTY	DESCRIPTION	PART NUMBER	VOLTAGE	PHASE	AMPS	TOTAL AMPS
3	23" LED 3500K, FROSTED, 24V	LG-FX-XXX-X	115V	1	0.04	0.12
1	EVAPORATOR FAN	RF-FA-XXXX	115V	1	0.17	0.17
1	CONDENSING UNIT	RF-CU-0375-A	115V	1	8.24	8.24
1	CONDENSATE EVAP PAN / 500W / HALF	EL-EV-XXXX	115V	1	4.17	4.17

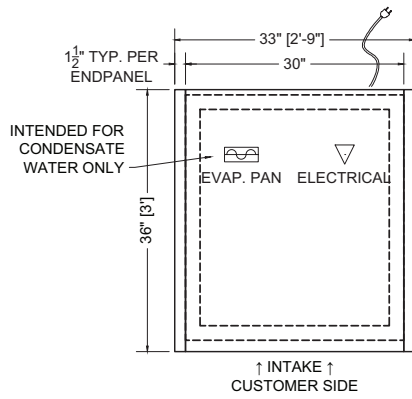
CIRCUIT#1 (LIGHTS)

TOTAL AMPS: 12.70

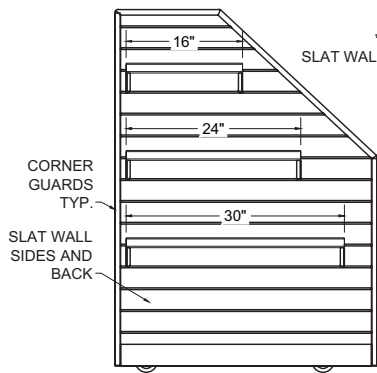
VOLTAGE: 115/1/60

CONNECTION: L5-20P



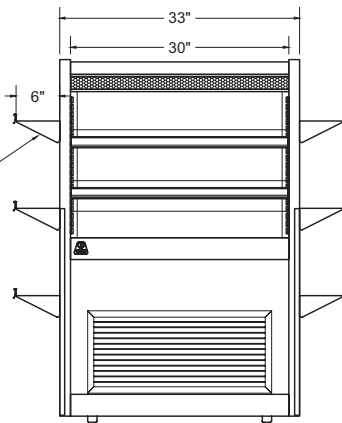


Plan Mechanical View

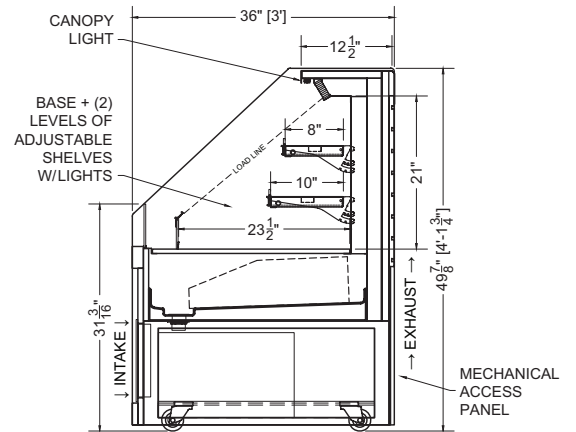


Side View

\*OPTIONAL  
SLAT WALL SHELVES  
(2) 6" x 16"  
(2) 6" x 24"  
(2) 6" x 30"



Front View



Section View



CONFORMS TO UL STD 471.  
CONFORMS TO NSF STD 7.  
CERTIFIED TO CAN/CSA STD  
C22.2 NO. 120.

For more information on the Elm Open Display Spot Merchandiser, contact one of our Southern CaseArts representatives or check out our website to learn more about all of the products offered by Southern CaseArts.