



McKenzie
Multideck Merchandiser | Cold
MDC-48LS-R, MDC-56LD-R, MDC-72LD-R & MDC-87LD-R

southerncasearts.com | 800.552.6283



OVERVIEW



The **McKenzie Multideck Merchandiser** from **Southern CaseArts** is a great addition to your refrigerated cases. With four width options and several height options with 1 to 5 adjustable shelves, this case offers endless merchandising possibilities throughout your store. The **McKenzie** is the perfect case for meats, cheese, snacks, sandwiches and beverages.

STANDARD FEATURES

- **Nominal Length:** 4.0', 6.0', 8.0' & 12.0'
- **Shelving:** 1-5 adjustable shelves with LED lights
- **Interior Lighting:** 3500K LED Lights
- **Exterior:** Black powder coat

PRODUCT CATEGORIES



Meat



Cheese/
Dairy



Milk



Snacks/
Sandwiches



Chilled
Beverages



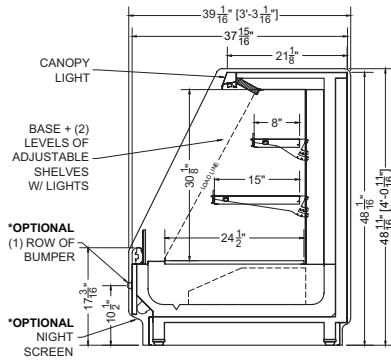
Prepared
Food

04.0-MDC-48LS-R | McKenzie Multideck Merchandiser

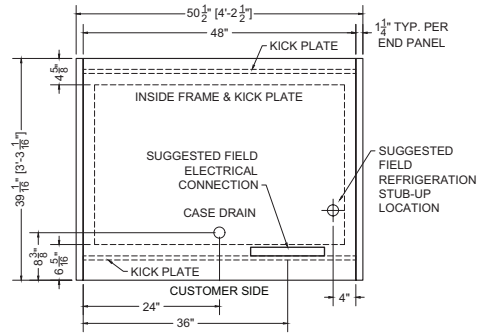
QTY	DESCRIPTION	PART NUMBER	VOLTAGE	PHASE	AMPS	TOTAL AMPS
3	45" LED 3500K, FROSTED, 24V	LG-FX-XXX-X	115V	1	0.09	0.27
2	EVAPORATOR FAN	RF-FA-XXXX	115V	1	0.17	0.34

CIRCUIT#1 (LIGHTS) **TOTAL AMPS: 0.27** **VOLTAGE: 115/1/60** **CONNECTION: HARDWIRED**
 CIRCUIT#2 (FANS) **TOTAL AMPS: 0.34** **VOLTAGE: 115/1/60** **CONNECTION: HARDWIRED**
 MODEL: MDC-48LS **APPLICATION: DELI** **BTUH: 3000** **EVAP TEMP: 24°F**
 DEFROST: TIME-OFF, 4/40 MIN, 47° TEMP TERMINATION





Section View

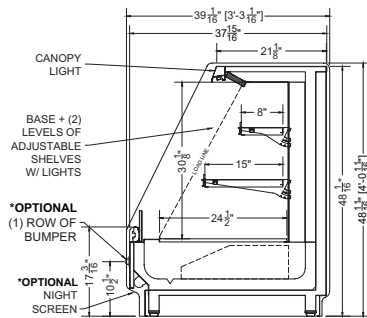


Plan Mechanical View

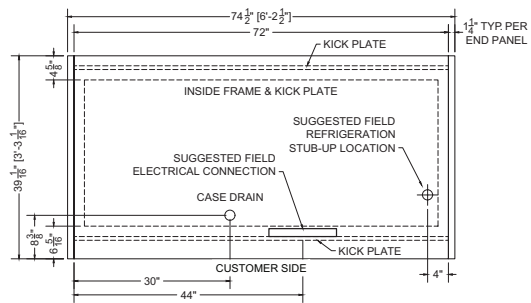
06.0-MDC-48LS-R | McKenzie Multideck Merchandiser

QTY	DESCRIPTION	PART NUMBER	VOLTAGE	PHASE	AMPS	TOTAL AMPS
6	34" LED 3500K, FROSTED, 24V	LG-FX-XXX-X	115V	1	0.07	0.42
3	EVAPORATOR FAN	RF-FA-XXXX	115V	1	0.17	0.51

CIRCUIT#1 (LIGHTS) TOTAL AMPS: 0.42 VOLTAGE: 115/1/60
 CIRCUIT#2 (FANS) TOTAL AMPS: 0.51 VOLTAGE: 115/1/60
 MODEL: MDC-48LS APPLICATION: DELI BTUH: 4500 CONNECTION: HARDWIRED
 DEFROST: TIME-OFF, 4/40 MIN, 47° TEMP TERMINATION EVAP TEMP: 24°F



Section View

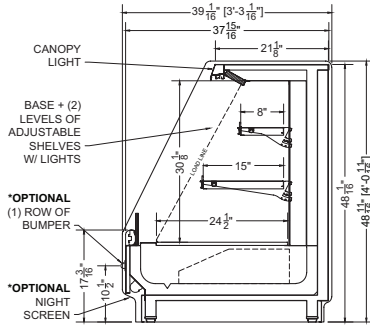


Plan Mechanical View

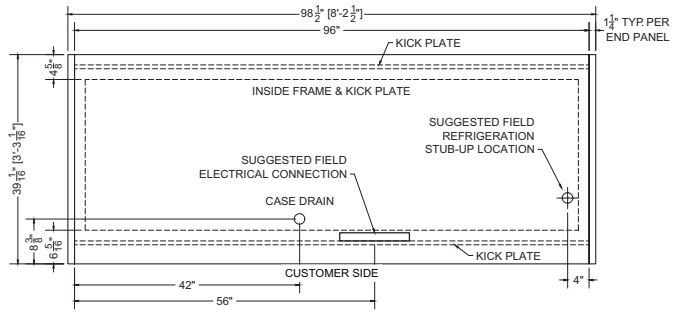
08.0-MDC-48LS-R | McKenzie Multideck Merchandiser

QTY	DESCRIPTION	PART NUMBER	VOLTAGE	PHASE	AMPS	TOTAL AMPS
6	45" LED 3500K, FROSTED, 24V	LG-FX-XXX-X	115V	1	0.09	0.54
4	EVAPORATOR FAN	RF-FA-XXXX	115V	1	0.17	0.68

CIRCUIT#1 (LIGHTS) TOTAL AMPS: 0.54 VOLTAGE: 115/1/60
 CIRCUIT#2 (FANS) TOTAL AMPS: 0.68 VOLTAGE: 115/1/60
 MODEL: MDC-48LS APPLICATION: DELI BTUH: 6000 CONNECTION: HARDWIRED
 DEFROST: TIME-OFF, 4/40 MIN, 47° TEMP TERMINATION EVAP TEMP: 24°F



Section View

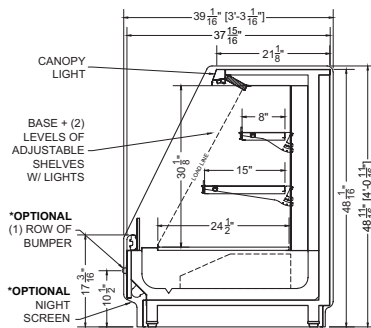


Plan Mechanical View

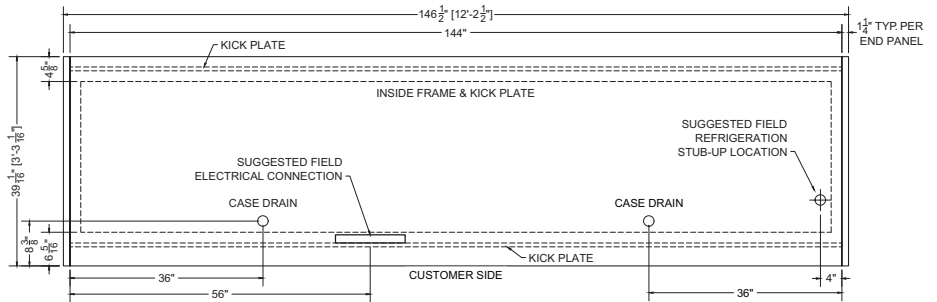
12.0-MDC-48LS-R | McKenzie Multideck Merchandiser

QTY	DESCRIPTION	PART NUMBER	VOLTAGE	PHASE	AMPS	TOTAL AMPS
9	45" LED 3500K, FROSTED, 24V	LG-FX-XXX-X	115V	1	0.09	0.81
6	EVAPORATOR FAN	RF-FA-XXXX	115V	1	0.17	1.02

CIRCUIT#1 (LIGHTS) TOTAL AMPS: 0.81 VOLTAGE:115/1/60 CONNECTION: HARDWIRED
 CIRCUIT#2 (FANS) TOTAL AMPS: 1.02 VOLTAGE:115/1/60 CONNECTION: HARDWIRED
 MODEL: MDC-48LS APPLICATION: DELI BTUH: 9000 EVAP TEMP: 24°F
 DEFROST: TIME-OFF, 4/40 MIN, 47° TEMP TERMINATION



Section View

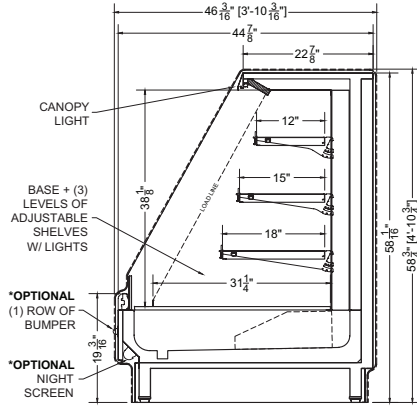


Plan Mechanical View

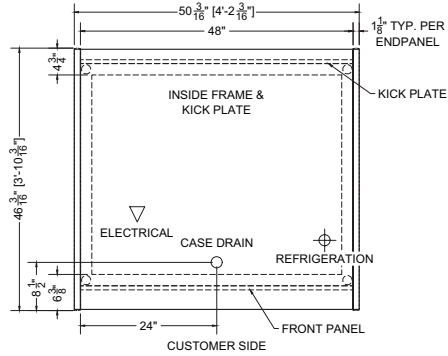
04.0-MDC-56LD-R | McKenzie Multideck Merchandiser

QTY	DESCRIPTION	PART NUMBER	VOLTAGE	PHASE	AMPS	TOTAL AMPS
5	45" LED 3500K, FROSTED, 24V	LG-FX-XXX-X	115V	1	0.09	0.45
2	EVAPORATOR FAN	RF-FA-XXXX	115V	1	0.17	0.34

CIRCUIT#1 (LIGHTS) TOTAL AMPS: 0.45 VOLTAGE:115/1/60 CONNECTION: HARDWIRED
 CIRCUIT#2 (FANS) TOTAL AMPS: 0.34 VOLTAGE:115/1/60 CONNECTION: HARDWIRED
 MODEL: MDC-56LD APPLICATION: DELI BTUH: 3820 EVAP TEMP: 24°F
 DEFROST: TIME-OFF, 4/40 MIN, 47° TEMP TERMINATION
 SHIPPING DIMENSIONS: 60" X 60" X 70" PACKOUT VOLUME: 22.87 CUBIC FT.
 WEIGHT: 879 LBS. INTERNAL VOLUME: 28.99 CUBIC FT.
 * OPTIONAL COMPONENT LOAD INCLUDED



Section View



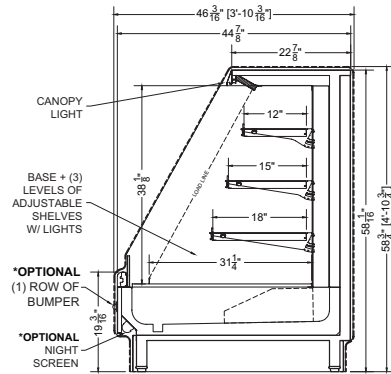
Plan Mechanical View

06.0-MDC-56LD-R | McKenzie Multideck Merchandiser

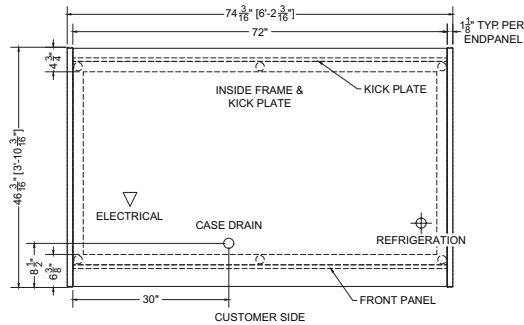
QTY	DESCRIPTION	PART NUMBER	VOLTAGE	PHASE	AMPS	TOTAL AMPS
10	34" LED 3500K, FROSTED, 24V	LG-FX-XXX-X	115V	1	0.07	0.70
3	EVAPORATOR FAN	RF-FA-XXXX	115V	1	0.17	0.51

CIRCUIT#1 (LIGHTS) TOTAL AMPS: 0.70 VOLTAGE:115/1/60 CONNECTION: HARDWIRED
 CIRCUIT#2 (FANS) TOTAL AMPS: 0.51 VOLTAGE:115/1/60 CONNECTION: HARDWIRED
 MODEL: MDC-56LD APPLICATION: DELI BTUH: 5730 EVAP TEMP: 24°F
 DEFROST: TIME-OFF, 4/40 MIN, 47° TEMP TERMINATION
 SHIPPING DIMENSIONS: 86" X 60" X 70"
 WEIGHT: 1143 LBS.
 * OPTIONAL COMPONENT LOAD INCLUDED

PACKOUT VOLUME: 34.30 CUBIC FT.
 INTERNAL VOLUME: 43.49 CUBIC FT.



Section View



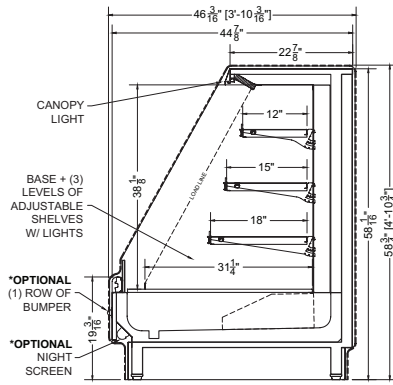
Plan Mechanical View

08.0-MDC-56LD-R | McKenzie Multideck Merchandiser

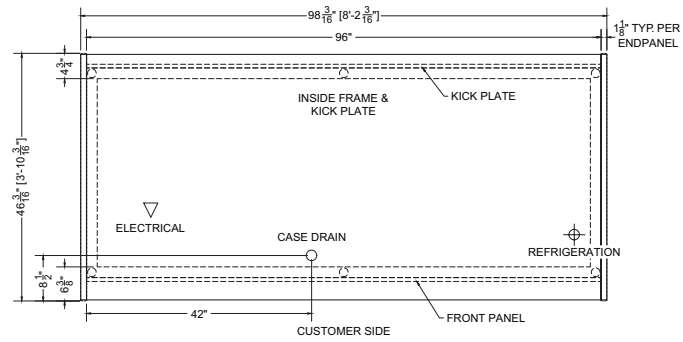
QTY	DESCRIPTION	PART NUMBER	VOLTAGE	PHASE	AMPS	TOTAL AMPS
10	45" LED 3500K, FROSTED, 24V	LG-FX-XXX-X	115V	1	0.09	0.90
4	EVAPORATOR FAN	RF-FA-XXXX	115V	1	0.17	0.68

CIRCUIT#1 (LIGHTS) TOTAL AMPS: 0.90 VOLTAGE:115/1/60 CONNECTION: HARDWIRED
 CIRCUIT#2 (FANS) TOTAL AMPS: 0.68 VOLTAGE:115/1/60 CONNECTION: HARDWIRED
 MODEL: MDC-56LD APPLICATION: DELI BTUH: 7640 EVAP TEMP: 24°F
 DEFROST: TIME-OFF, 4/40 MIN, 47° TEMP TERMINATION
 SHIPPING DIMENSIONS: 112" X 60" X 70"
 WEIGHT: 1407 LBS.
 * OPTIONAL COMPONENT LOAD INCLUDED

PACKOUT VOLUME: 45.73 CUBIC FT.
 INTERNAL VOLUME: 57.99 CUBIC FT.



Section View



Plan Mechanical View

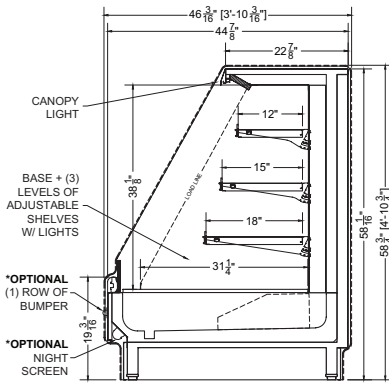
12.0-MDC-56LD-R | McKenzie Multideck Merchandiser

QTY	DESCRIPTION	PART NUMBER	VOLTAGE	PHASE	AMPS	TOTAL AMPS
15	45" LED 3500K, FROSTED, 24V	LG-FX-XXX-X	115V	1	0.09	1.35
6	EVAPORATOR FAN	RF-FA-XXXX	115V	1	0.17	1.02

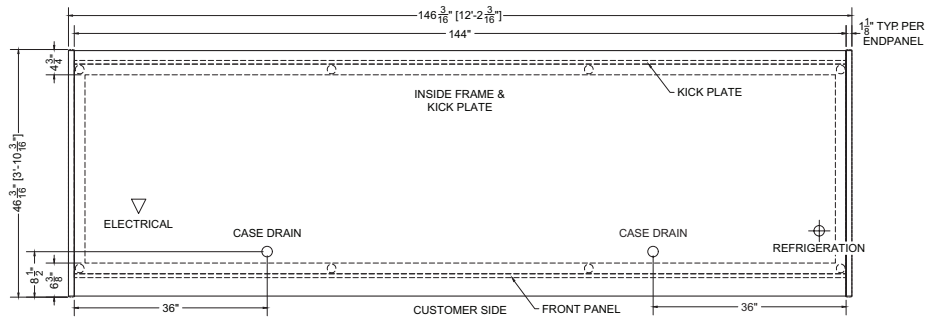
CIRCUIT#1 (LIGHTS) TOTAL AMPS: 1.35 VOLTAGE:115/1/60 CONNECTION: HARDWIRED
 CIRCUIT#2 (FANS) TOTAL AMPS: 1.02 VOLTAGE:115/1/60 CONNECTION: HARDWIRED
 MODEL: MDC-56LD APPLICATION: DELI BTUH: 11460 EVAP TEMP: 24°F
 DEFROST: TIME-OFF, 4/40 MIN, 47° TEMP TERMINATION
 SHIPPING DIMENSIONS: 160" X 60" X 70"
 WEIGHT: 1935 LBS.

PACKOUT VOLUME: 68.60 CUBIC FT.
 INTERNAL VOLUME: 86.98 CUBIC FT.

* OPTIONAL COMPONENT LOAD INCLUDED



Section View



Plan Mechanical View

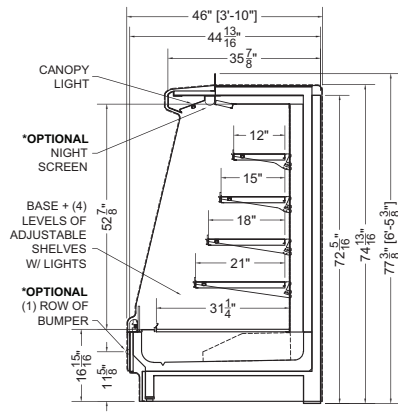
04.0-MDC-72LD-R | McKenzie Multideck Merchandiser

QTY	DESCRIPTION	PART NUMBER	VOLTAGE	PHASE	AMPS	TOTAL AMPS
6	45" LED 3500K, FROSTED, 24V	LG-FX-XXX-X	115V	1	0.09	0.54
2	EVAPORATOR FAN	RF-FA-XXXX	115V	1	0.17	0.34

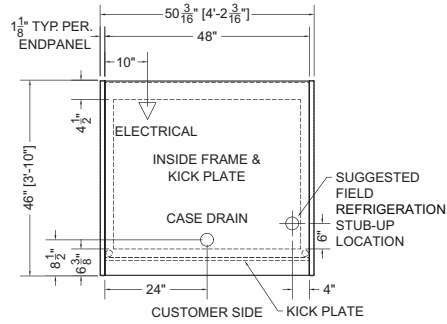
CIRCUIT#1 (LIGHTS) TOTAL AMPS: 0.54 VOLTAGE:115/1/60 CONNECTION: HARDWIRED
 CIRCUIT#2 (FANS) TOTAL AMPS: 0.34 VOLTAGE:115/1/60 CONNECTION: HARDWIRED
 MODEL: MDC-72LD APPLICATION: DELI BTUH: 5800 EVAP TEMP: 24°F
 DEFROST: TIME-OFF, 4/40 MIN, 47° TEMP TERMINATION

PACKOUT VOLUME: 33.08 CUBIC FT.
 INTERNAL VOLUME: 44.87 CUBIC FT.

* OPTIONAL COMPONENT LOAD INCLUDED



Section View



Plan Mechanical View

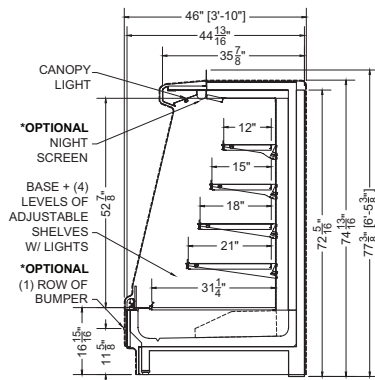
06.0-MDC-72LD-R | McKenzie Multideck Merchandiser

QTY	DESCRIPTION	PART NUMBER	VOLTAGE	PHASE	AMPS	TOTAL AMPS
12	34" LED 3500K, FROSTED, 24V	LG-FX-XXX-X	115V	1	0.07	0.84
3	EVAPORATOR FAN	RF-FA-XXXX	115V	1	0.17	0.51

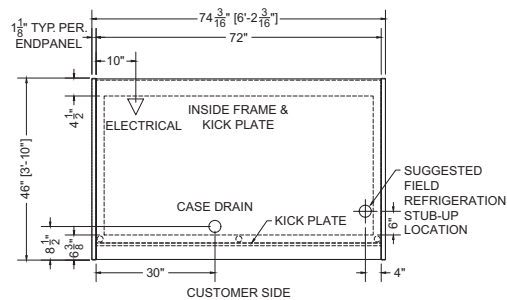
CIRCUIT#1 (LIGHTS) TOTAL AMPS: 0.84 VOLTAGE:115/1/60 CONNECTION: HARDWIRED
 CIRCUIT#2 (FANS) TOTAL AMPS: 0.51 VOLTAGE:115/1/60 CONNECTION: HARDWIRED
 MODEL: MDC-72LD APPLICATION: DELI BTUH: 8700 EVAP TEMP: 24°F
 DEFOUST: TIME-OFF, 4/40 MIN, 47° TEMP TERMINATION

* OPTIONAL COMPONENT LOAD INCLUDED

PACKOUT VOLUME: 49.62 CUBIC FT.
 INTERNAL VOLUME: 67.30 CUBIC FT.



Section View



Plan Mechanical View

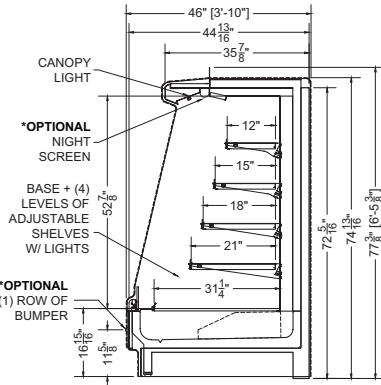
08.0-MDC-72LD-R | McKenzie Multideck Merchandiser

QTY	DESCRIPTION	PART NUMBER	VOLTAGE	PHASE	AMPS	TOTAL AMPS
12	45" LED 3500K, FROSTED, 24V	LG-FX-XXX-X	115V	1	0.09	1.08
4	EVAPORATOR FAN	RF-FA-XXXX	115V	1	0.17	0.68

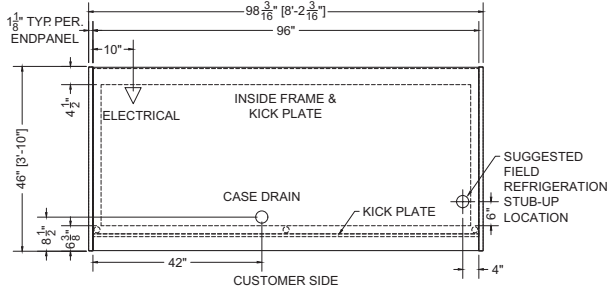
CIRCUIT#1 (LIGHTS) TOTAL AMPS: 1.08 VOLTAGE:115/1/60 CONNECTION: HARDWIRED
 CIRCUIT#2 (FANS) TOTAL AMPS: 0.68 VOLTAGE:115/1/60 CONNECTION: HARDWIRED
 MODEL: MDC-72LD APPLICATION: DELI BTUH: 11600 EVAP TEMP: 24°F
 DEFOUST: TIME-OFF, 4/40 MIN, 47° TEMP TERMINATION

* OPTIONAL COMPONENT LOAD INCLUDED

PACKOUT VOLUME: 66.16 CUBIC FT.
 INTERNAL VOLUME: 89.74 CUBIC FT.



Section View



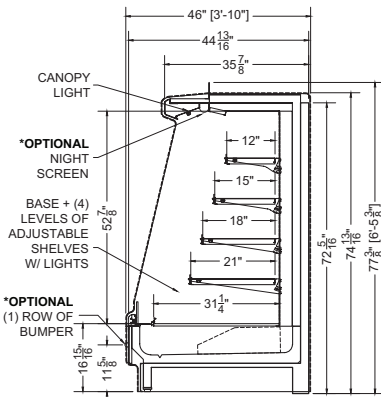
Plan Mechanical View

12.0-MDC-72LD-R | McKenzie Multideck Merchandiser

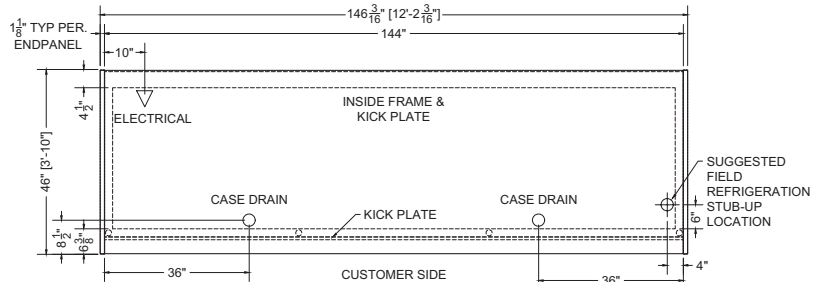
QTY	DESCRIPTION	PART NUMBER	VOLTAGE	PHASE	AMPS	TOTAL AMPS
18	45" LED 3500K, FROSTED, 24V	LG-FX-XXX-X	115V	1	0.09	1.62
6	EVAPORATOR FAN	RF-FA-XXXX	115V	1	0.17	1.02

CIRCUIT#1 (LIGHTS) TOTAL AMPS: 1.62 VOLTAGE:115/1/60 CONNECTION: HARDWIRED
 CIRCUIT#2 (FANS) TOTAL AMPS: 1.02 VOLTAGE:115/1/60 CONNECTION: HARDWIRED
 MODEL: MDC-72LD APPLICATION: DELI BTUH: 17400 EVAP TEMP: 24°F
 DEFROST: TIME-OFF, 4/40 MIN, 47° TEMP TERMINATION PACKOUT VOLUME: 99.24 CUBIC FT.
 INTERNAL VOLUME: 134.61 CUBIC FT.

* OPTIONAL COMPONENT LOAD INCLUDED



Section View



Plan Mechanical View

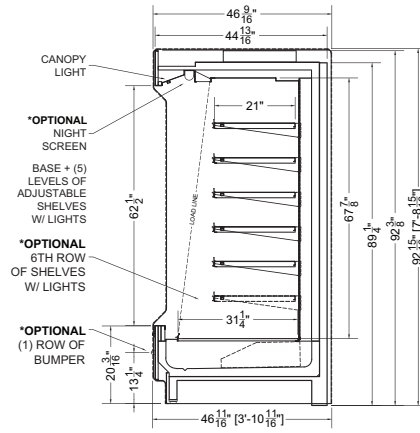
04.0-MDC-87LD-R | McKenzie Multideck Merchandiser

QTY	DESCRIPTION	PART NUMBER	VOLTAGE	PHASE	AMPS	TOTAL AMPS
7	45" LED 3500K, FROSTED, 24V	LG-FX-XXX-X	115V	1	0.09	0.63
2	EVAPORATOR FAN	RF-FA-XXXX	115V	1	0.17	0.34

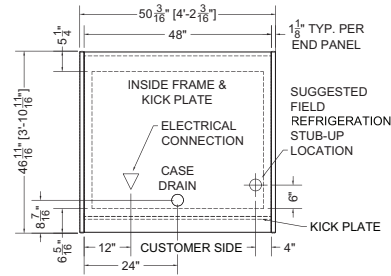
CIRCUIT#1 (LIGHTS) TOTAL AMPS: 0.63 VOLTAGE:115/1/60 CONNECTION: HARDWIRED
 CIRCUIT#2 (FANS) TOTAL AMPS: 0.34 VOLTAGE:115/1/60 CONNECTION: HARDWIRED
 MODEL: MDC-87LD APPLICATION: DELI BTUH: 7600 EVAP TEMP: 24°F
 DEFROST: TIME-OFF, 4/40 MIN, 47° TEMP TERMINATION

PACKOUT VOLUME: 51.36 CUBIC FT.
 INTERNAL VOLUME: 69.58 CUBIC FT.

* OPTIONAL COMPONENT LOAD INCLUDED



Section View



Plan Mechanical View

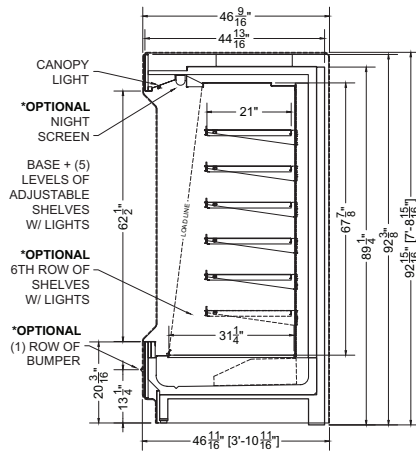
06.0-MDC-87LD-R | McKenzie Multideck Merchandiser

QTY	DESCRIPTION	PART NUMBER	VOLTAGE	PHASE	AMPS	TOTAL AMPS
14	34" LED 3500K, FROSTED, 24V	LG-FX-XXX-X	115V	1	0.07	0.84
3	EVAPORATOR FAN	RF-FA-XXXX	115V	1	0.17	0.51

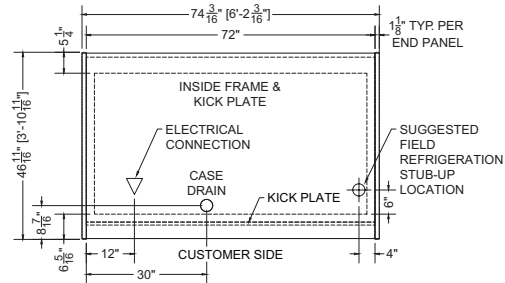
CIRCUIT#1 (LIGHTS) TOTAL AMPS: 0.98 VOLTAGE: 115/1/60 CONNECTION: HARDWIRED
 CIRCUIT#2 (FANS) TOTAL AMPS: 0.51 VOLTAGE: 115/1/60 CONNECTION: HARDWIRED
 MODEL: MDC-87LD APPLICATION: DELI BTUH: 11420 EVAP TEMP: 24°F
 DEFOUST: TIME-OFF, 4/40 MIN, 47° TEMP TERMINATION

PACKOUT VOLUME: 77.04 CUBIC FT.
 INTERNAL VOLUME: 104.37 CUBIC FT.

* OPTIONAL COMPONENT LOAD INCLUDED



Section View



Plan Mechanical View

08.0-MDC-87LD-R | McKenzie Multideck Merchandiser

QTY	DESCRIPTION	PART NUMBER	VOLTAGE	PHASE	AMPS	TOTAL AMPS
14	45" LED 3500K, FROSTED, 24V	LG-FX-XXX-X	115V	1	0.09	1.26
4	EVAPORATOR FAN	RF-FA-XXXX	115V	1	0.17	0.68

CIRCUIT#1 (LIGHTS) TOTAL AMPS: 1.26 VOLTAGE: 115/1/60 CONNECTION: HARDWIRED
 CIRCUIT#2 (FANS) TOTAL AMPS: 0.68 VOLTAGE: 115/1/60 CONNECTION: HARDWIRED
 MODEL: MDC-87LD APPLICATION: DELI BTUH: 14340 EVAP TEMP: 24°F
 DEFOUST: TIME-OFF, 4/40 MIN, 47° TEMP TERMINATION

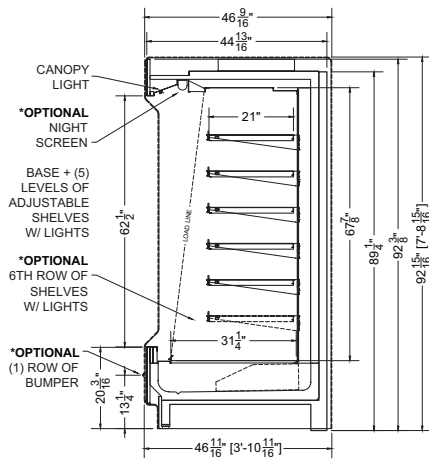
PACKOUT VOLUME: 102.72 CUBIC FT.
 INTERNAL VOLUME: 139.15 CUBIC FT.

* OPTIONAL COMPONENT LOAD INCLUDED

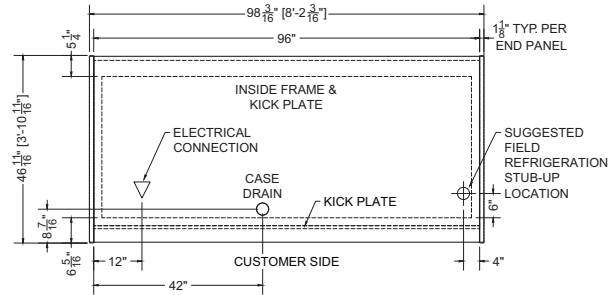


southerncasearts.com

© 2024 Southern CaseArts. All rights reserved. Information and specifications subject to change without notice. All values are design or typical values when measured under laboratory conditions.



Section View



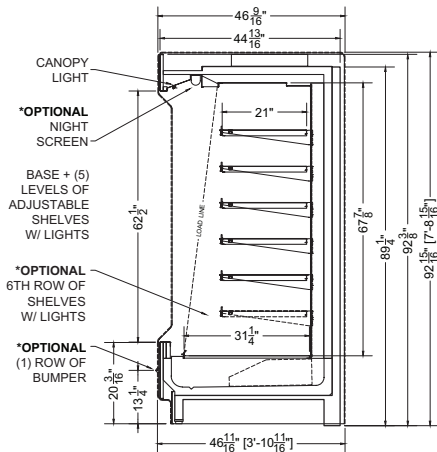
Plan Mechanical View

12.0-MDC-87LD-R | McKenzie Multideck Merchandiser

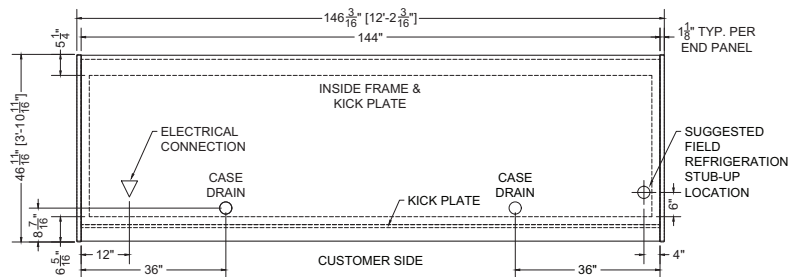
QTY	DESCRIPTION	PART NUMBER	VOLTAGE	PHASE	AMPS	TOTAL AMPS
21	45" LED 3500K, FROSTED, 24V	LG-FX-XXX-X	115V	1	0.09	1.89
6	EVAPORATOR FAN	RF-FA-XXXX	115V	1	0.17	1.02

CIRCUIT#1 (LIGHTS) TOTAL AMPS: 1.89 VOLTAGE:115/1/60 CONNECTION: HARDWIRED
 CIRCUIT#2 (FANS) TOTAL AMPS: 1.02 VOLTAGE:115/1/60 CONNECTION: HARDWIRED
 MODEL: MDC-87LD APPLICATION: DELI BTUH: 22850 EVAP TEMP: 24°F
 DEFROST: TIME-OFF, 4/40 MIN, 47° TEMP TERMINATION PACKOUT VOLUME: 154.09 CUBIC FT.
 INTERNAL VOLUME: 208.73 CUBIC FT.

* OPTIONAL COMPONENT LOAD INCLUDED



Section View



Plan Mechanical View



CONFORMS TO UL STD 471.
 CONFORMS TO NSF STD 7.
 CERTIFIED TO CAN/CSA STD C22.2 NO. 120.

For more information on the McKenzie Multideck Merchandiser, contact one of our Southern CaseArts representatives or check out our website to learn more about all of the products offered by Southern CaseArts.



southerncasearts.com

© 2024 Southern CaseArts. All rights reserved. Information and specifications subject to change without notice. All values are design or typical values when measured under laboratory conditions.