



Placid
Multideck Island Merchandiser | Cold
MDI-3N, MDI-3M, MDI-3S, MDI-4M



southerncasearts.com | 800.552.6283



OVERVIEW



The **Placid Multideck Island Refrigerated Merchandiser** is the perfect addition to your store for grab-n-go items, meats, cheese, snacks and beverages. Available in multiple lengths with adjustable shelves which provide versatility for products and packout.

STANDARD FEATURES

- **Nominal Length:** 3.5', 3.6', 4.5', 4.6', 5.5', 5.6', 5.9', 6.2', 7.9', 11.2' 13.0'
- **Shelves:** Adjustable shelves (# varies by model)
- **Interior Lighting:** LED
- **Exterior:** Black powder coat

PRODUCT CATEGORIES



Meat



Cheese/
Dairy



Snacks/
Sandwiches



Chilled
Beverages



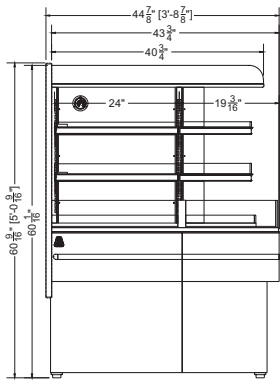
Prepared
Food

03.5-MDI-3N1F-R | Placid Multideck Island Merchandiser

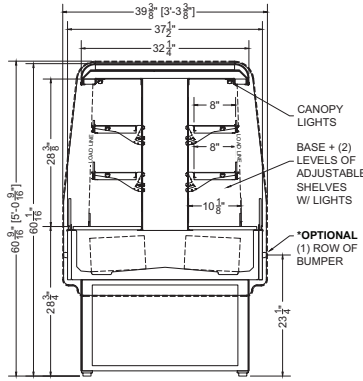
QTY	DESCRIPTION	PART NUMBER	VOLTAGE	PHASE	AMPS	TOTAL AMPS
4	12" LED 3500K, FROSTED, 24V	LG-FX-XXX-X	115V	1	0.02	0.08
6	23" LED 3500K, FROSTED, 24V	LG-FX-XXX-X	115V	1	0.04	0.24
6	EVAPORATOR FAN	AFXXX	115V	1	0.24	1.44

CIRCUIT#1 (LIGHTS) **TOTAL AMPS:** 0.32 **VOLTAGE:** 115/1/60 **CONNECTION:** HARDWIRED
 CIRCUIT#1 (FANS) **TOTAL AMPS:** 1.44 **VOLTAGE:** 115/1/60 **CONNECTION:** HARDWIRED
MODEL: MDI-3N **APPLICATION:** DELI **BTUH:** 5000 **EVAP TEMP:** 20°F
DEFROST: TIME-OFF, 4/40 MIN, 47° TEMP TERMINATION
SHIPPING DIMENSIONS: 56" X 48" X 72"
WEIGHT: 610 LBS. **PACKOUT VOLUME:** 12.54 CUBIC FT.
INTERNAL VOLUME: 17.75 CUBIC FT.

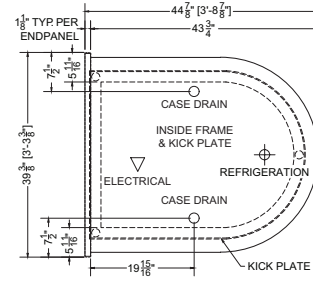




Side View - 03.5-F-R



Section View - 03.5-F-R

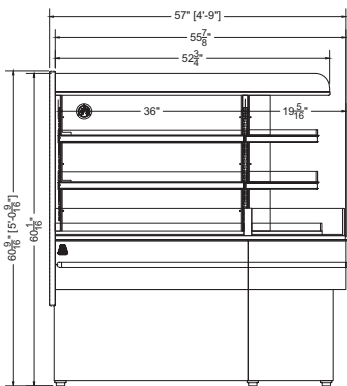


Plan Mechanical View - 03.5-F-R

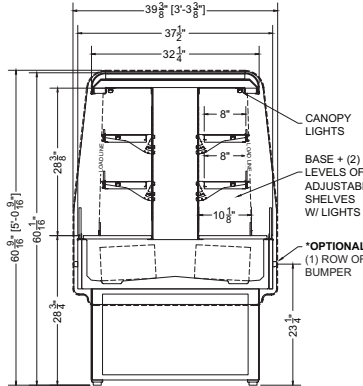
04.5-MDI-3N1F-R | Placid Multideck Island Merchandiser

QTY	DESCRIPTION	PART NUMBER	VOLTAGE	PHASE	AMPS	TOTAL AMPS
4	12" LED 3500K, FROSTED, 24V	LG-FX-XXX-X	115V	1	0.02	0.08
6	34" LED 3500K, FROSTED, 24V	LG-FX-XXX-X	115V	1	0.07	0.42
6	EVAPORATOR FAN	AFXXX	115V	1	0.24	1.44

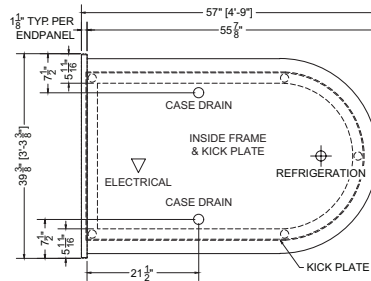
CIRCUIT#1 (LIGHTS) TOTAL AMPS: 0.50 VOLTAGE:115/1/60 CONNECTION: HARDWIRED
 CIRCUIT#1 (FANS) TOTAL AMPS: 1.44 VOLTAGE:115/1/60 CONNECTION: HARDWIRED
 MODEL: MDI-3N APPLICATION: DELI BTUH: 6200 EVAP TEMP: 20°F
 DEFROST: TIME-OFF, 4/40 MIN, 47° TEMP TERMINATION
 SHIPPING DIMENSIONS: 68" X 48" X 72"
 WEIGHT: 720 LBS. PACKOUT VOLUME: 16.42 CUBIC FT.
 INTERNAL VOLUME: 22.82 CUBIC FT.



Side View - 04.5-F-R



Section View - 04.5-F-R

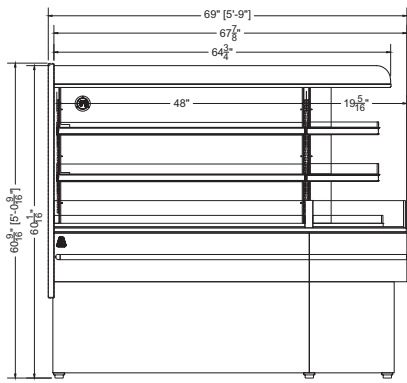


Plan Mechanical View - 04.5-F-R

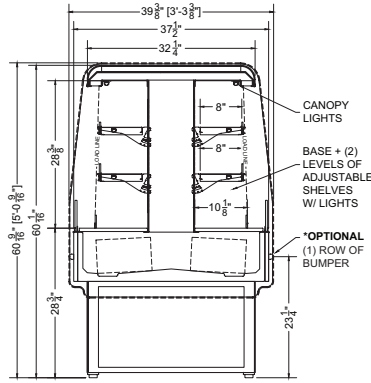
05.5-MDI-3N1F-R | Placid Multideck Island Merchandiser

QTY	DESCRIPTION	PART NUMBER	VOLTAGE	PHASE	AMPS	TOTAL AMPS
4	12" LED 3500K, FROSTED, 24V	LG-FX-XXX-X	115V	1	0.02	0.08
6	45" LED 3500K, FROSTED, 24V	LG-FX-XXX-X	115V	1	0.09	0.54
8	EVAPORATOR FAN	AFXXX	115V	1	0.24	1.92

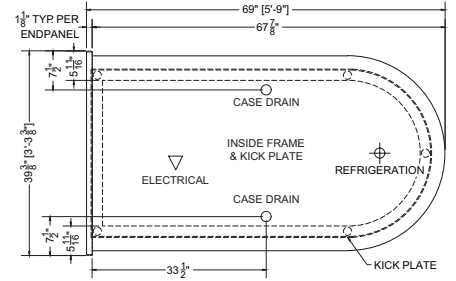
CIRCUIT#1 (LIGHTS) TOTAL AMPS: 0.62 VOLTAGE:115/1/60 CONNECTION: HARDWIRED
 CIRCUIT#1 (FANS) TOTAL AMPS: 1.92 VOLTAGE:115/1/60 CONNECTION: HARDWIRED
 MODEL: MDI-3N APPLICATION: DELI BTUH: 7950 EVAP TEMP: 20°F
 DEFROST: TIME-OFF, 4/40 MIN, 47° TEMP TERMINATION
 SHIPPING DIMENSIONS: 80" X 48" X 72"
 WEIGHT: 850 LBS. PACKOUT VOLUME: 20.29 CUBIC FT.
 INTERNAL VOLUME: 27.89 CUBIC FT.



Side View - 05.5-F-R



Section View - 05.5-F-R

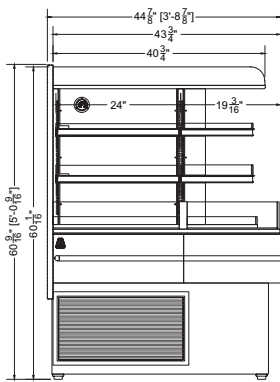


Plan Mechanical View - 05.5-F-R

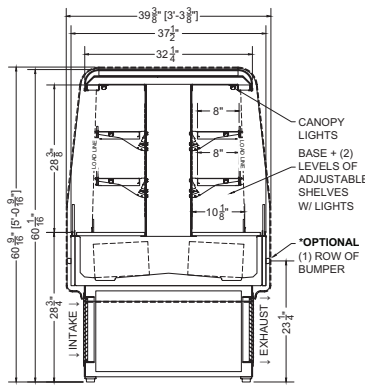
03.5-MDI-3N1F-S | Placid Multideck Island Merchandiser

QTY	DESCRIPTION	PART NUMBER	VOLTAGE	PHASE	AMPS	TOTAL AMPS
4	12" LED 3500K, FROSTED, 24V	LG-FX-XXX-X	115V	1	0.02	0.08
6	23" LED 3500K, FROSTED, 24V	LG-FX-XXX-X	115V	1	0.04	0.24
6	EVAPORATOR FAN	AFXXX	115V	1	0.24	1.44
1	CONDENSING UNIT	RF-CU-0388-A	208/230V	1	9.80	9.80
1	CONDENSATE EVAP PAN / 1500W / HALF	EL-EV-XXXX	208V	1	7.21	7.21

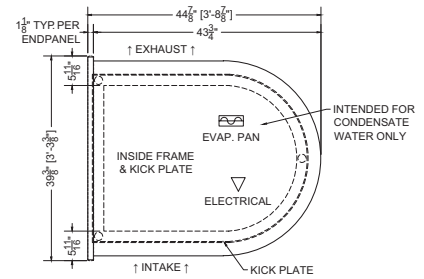
CIRCUIT#1 TOTAL AMPS: 18.77 VOLTAGE:208-230/1/60, 3-WIRE CONNECTION: L14-30P
 SHIPPING DIMENSIONS: 56" X 48" X 72" PACKOUT VOLUME: 12.54 CUBIC FT.
 WEIGHT: 710 LBS. INTERNAL VOLUME: 17.75 CUBIC FT.



Side View - 03.5-F-S



Section View - 03.5-F-S

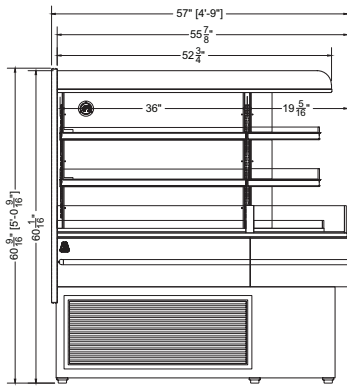


Plan Mechanical View - 03.5-F-S

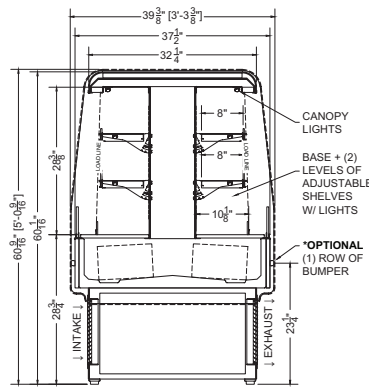
04.5-MDI-3N1F-S | Placid Multideck Island Merchandiser

QTY	DESCRIPTION	PART NUMBER	VOLTAGE	PHASE	AMPS	TOTAL AMPS
4	12" LED 3500K, FROSTED, 24V	LG-FX-XXX-X	115V	1	0.02	0.08
6	34" LED 3500K, FROSTED, 24V	LG-FX-XXX-X	115V	1	0.07	0.42
6	EVAPORATOR FAN	AFXXX	115V	1	0.24	1.44
1	CONDENSING UNIT	RF-CU-0388-A	208/230V	1	9.80	9.80
1	CONDENSATE EVAP PAN / 1500W / FULL	EL-EV-XXXX	208V	1	7.21	7.21

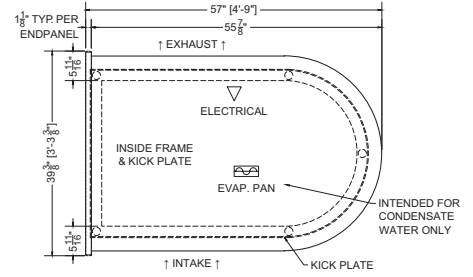
CIRCUIT#1 TOTAL AMPS: 18.95 VOLTAGE:208-230/1/60, 3-WIRE CONNECTION: L14-30P
 SHIPPING DIMENSIONS: 68" X 48" X 72" PACKOUT VOLUME: 16.42 CUBIC FT.
 WEIGHT: 820 LBS. INTERNAL VOLUME: 22.82 CUBIC FT.



Side View - 04.5-F-S



Section View - 04.5-F-S

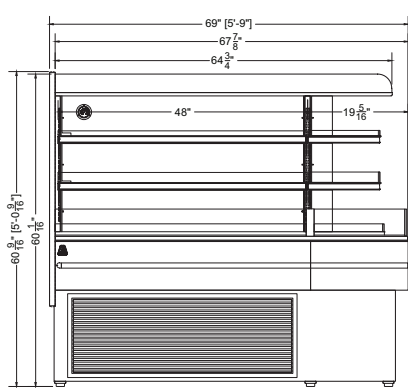


Plan Mechanical View - 04.5-F-S

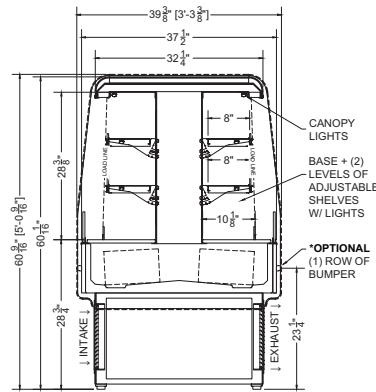
05.5-MDI-3N1F-S | Placid Multideck Island Merchandiser

QTY	DESCRIPTION	PART NUMBER	VOLTAGE	PHASE	AMPS	TOTAL AMPS
4	12" LED 3500K, FROSTED, 24V	LG-FX-XXX-X	115V	1	0.02	0.08
6	45" LED 3500K, FROSTED, 24V	LG-FX-XXX-X	115V	1	0.09	0.54
8	EVAPORATOR FAN	AFXXX	115V	1	0.24	1.92
1	CONDENSING UNIT	RF-CU-0419	208/230V	1	11.70	11.70
1	CONDENSATE EVAP PAN / 1500W / FULL	EL-EV-XXXX	208V	1	7.21	7.21

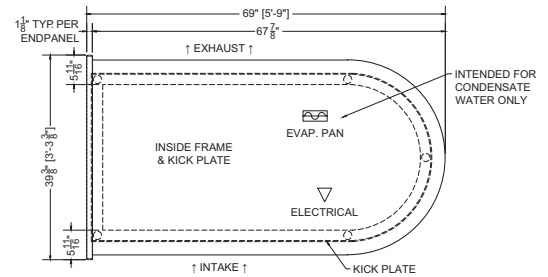
CIRCUIT#1 TOTAL AMPS: 21.45 VOLTAGE: 208-230/1/60, 3-WIRE CONNECTION: L14-30P
 SHIPPING DIMENSIONS: 80" X 48" X 72" PACKOUT VOLUME: 20.29 CUBIC FT.
 WEIGHT: 1060 LBS. INTERNAL VOLUME: 27.89 CUBIC FT.



Side View - 05.5-F-S



Section View - 05.5-F-S



Plan Mechanical View - 05.5-F-S

03.6-MDI-3N1P-R | Placid Multideck Island Merchandiser

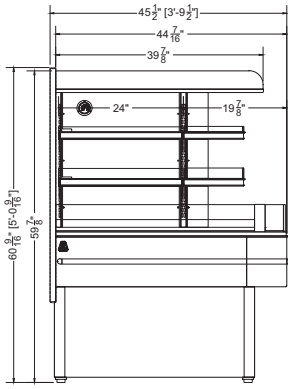
QTY	DESCRIPTION	PART NUMBER	VOLTAGE	PHASE	AMPS	TOTAL AMPS
2	12" LED 3500K, FROSTED, 24V	LG-FX-XXX-X	115V	1	0.02	0.04
2	18" LED 3500K, FROSTED, 24V	LG-FX-XXX-X	115V	1	0.03	0.06
6	23" LED 3500K, FROSTED, 24V	LG-FX-XXX-X	115V	1	0.04	0.24
6	EVAPORATOR FAN	AFXXX	115V	1	0.24	1.44

CIRCUIT#1 (LIGHTS) TOTAL AMPS: 0.34 VOLTAGE: 115/1/60 CONNECTION: HARDWIRED
 CIRCUIT#1 (FANS) TOTAL AMPS: 1.44 VOLTAGE: 115/1/60 CONNECTION: HARDWIRED
 MODEL: MDI-3N APPLICATION: DELI BTUH: 6050 EVAP TEMP: 20°F
 DEFROST: TIME-OFF, 4/40 MIN, 47° TEMP TERMINATION
 SHIPPING DIMENSIONS: 56" X 48" X 72" PACKOUT VOLUME: 13.90 CUBIC FT.
 WEIGHT: 640 LBS. INTERNAL VOLUME: 18.94 CUBIC FT.

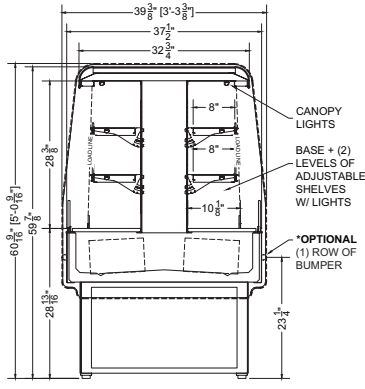


southerncasearts.com

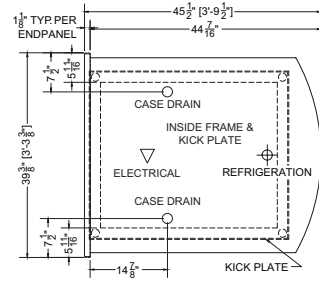
© 2024 Southern CaseArts. All rights reserved. Information and specifications subject to change without notice. All values are design or typical values when measured under laboratory conditions.



Side View - 03.6-P-R



Section View - 03.6-P-R

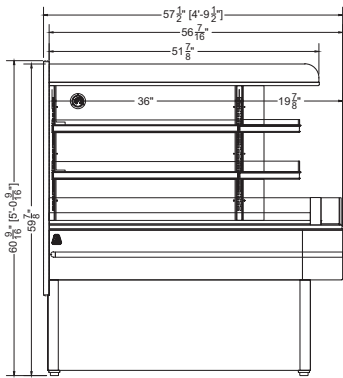


Plan Mechanical View - 03.6-P-R

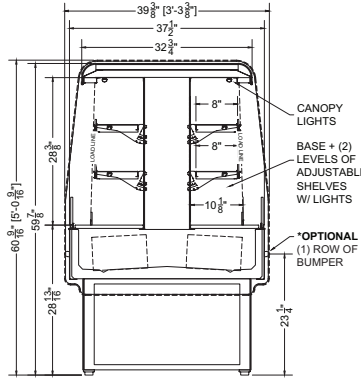
04.6-MDI-3N1P-R | Placid Multideck Island Merchandiser

QTY	DESCRIPTION	PART NUMBER	VOLTAGE	PHASE	AMPS	TOTAL AMPS
2	12" LED 3500K, FROSTED, 24V	LG-FX-XXX-X	115V	1	0.02	0.04
2	18" LED 3500K, FROSTED, 24V	LG-FX-XXX-X	115V	1	0.03	0.06
6	34" LED 3500K, FROSTED, 24V	LG-FX-XXX-X	115V	1	0.07	0.42
6	EVAPORATOR FAN	AFXXX	115V	1	0.24	1.44

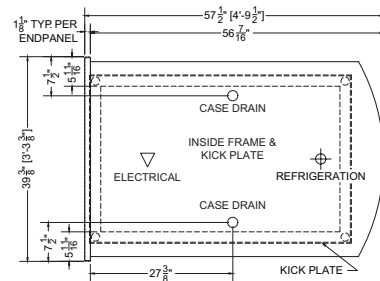
CIRCUIT#1 (LIGHTS) TOTAL AMPS: 0.52 VOLTAGE:115/1/60 CONNECTION: HARDWIRED
 CIRCUIT#1 (FANS) TOTAL AMPS: 1.44 VOLTAGE:115/1/60 CONNECTION: HARDWIRED
 MODEL: MDI-3N APPLICATION: DELI BTUH: 7200 EVAP TEMP: 20°F
 DEFROST: TIME-OFF, 4/40 MIN, 47° TEMP TERMINATION
 SHIPPING DIMENSIONS: 72" X 48" X 72" PACKOUT VOLUME: 17.77 CUBIC FT.
 WEIGHT: 750 LBS. INTERNAL VOLUME: 24.01 CUBIC FT.



Side View - 04.6-P-R



Section View - 04.6-P-R



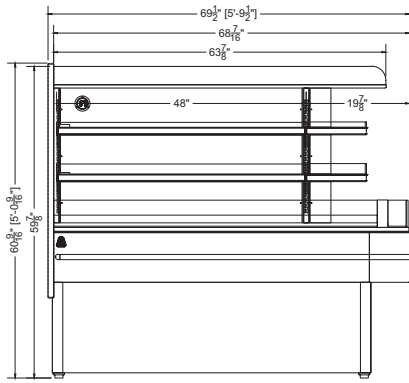
Plan Mechanical View - 04.6-P-R

05.6-MDI-3N1P-R | Placid Multideck Island Merchandiser

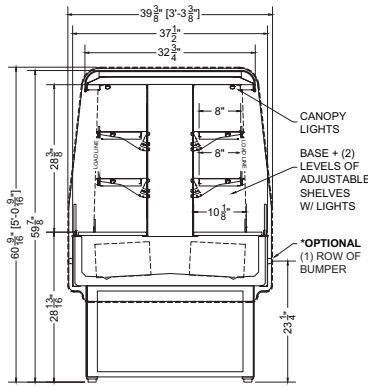
QTY	DESCRIPTION	PART NUMBER	VOLTAGE	PHASE	AMPS	TOTAL AMPS
2	12" LED 3500K, FROSTED, 24V	LG-FX-XXX-X	115V	1	0.02	0.04
2	18" LED 3500K, FROSTED, 24V	LG-FX-XXX-X	115V	1	0.03	0.06
6	45" LED 3500K, FROSTED, 24V	LG-FX-XXX-X	115V	1	0.09	0.54
8	EVAPORATOR FAN	AFXXX	115V	1	0.24	1.92

CIRCUIT#1 (LIGHTS) TOTAL AMPS: 0.64 VOLTAGE:115/1/60 CONNECTION: HARDWIRED
 CIRCUIT#1 (FANS) TOTAL AMPS: 1.92 VOLTAGE:115/1/60 CONNECTION: HARDWIRED
 MODEL: MDI-3N APPLICATION: DELI BTUH: 7910 EVAP TEMP: 20°F
 DEFROST: TIME-OFF, 4/40 MIN, 47° TEMP TERMINATION
 SHIPPING DIMENSIONS: 80" X 48" X 72" PACKOUT VOLUME: 21.65 CUBIC FT.
 WEIGHT: 860 LBS. INTERNAL VOLUME: 29.08 CUBIC FT.

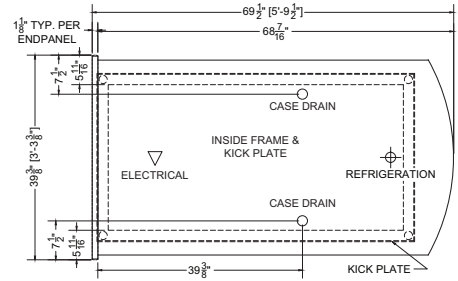
* 3N1PX available with an extra level of shelving



Side View - 05.6-P-R



Section View - 05.6-P-R

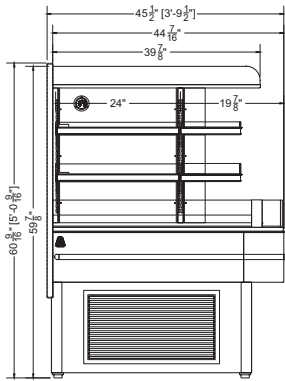


Plan Mechanical View - 05.6-P-R

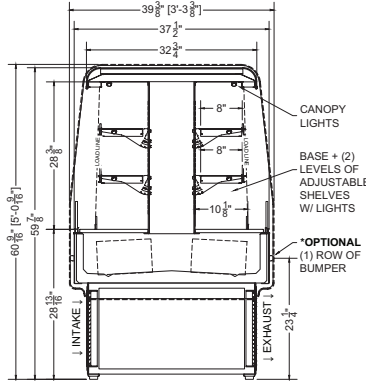
03.6-MDI-3N1P-S | Placid Multideck Island Merchandiser

QTY	DESCRIPTION	PART NUMBER	VOLTAGE	PHASE	AMPS	TOTAL AMPS
2	12" LED 3500K, FROSTED, 24V	LG-FX-XXX-X	115V	1	0.02	0.04
2	18" LED 3500K, FROSTED, 24V	LG-FX-XXX-X	115V	1	0.03	0.06
6	23" LED 3500K, FROSTED, 24V	LG-FX-XXX-X	115V	1	0.04	0.24
6	EVAPORATOR FAN	AFXXX	115V	1	0.24	1.44
1	CONDENSING UNIT	RF-CU-0388-A	208/230V	1	9.80	9.80
1	CONDENSATE EVAP PAN / 1500W / HALF	EL-EV-XXXX	208V	1	7.21	7.21

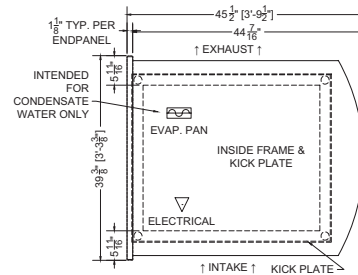
CIRCUIT#1 TOTAL AMPS: 18.79 VOLTAGE:208-230/1/60, 3-WIRE CONNECTION: L14-30P
 SHIPPING DIMENSIONS: 56" X 48" X 72" PACKOUT VOLUME: 13.90 CUBIC FT.
 WEIGHT: 760 LBS. INTERNAL VOLUME: 18.94 CUBIC FT.



Side View - 03.6-P-S



Section View - 03.6-P-S

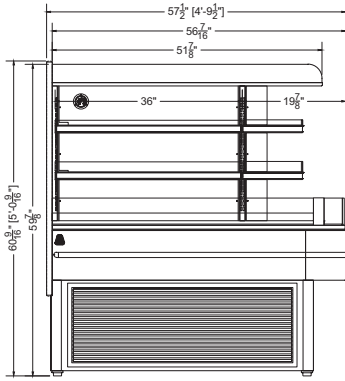


Plan Mechanical View - 03.6-P-S

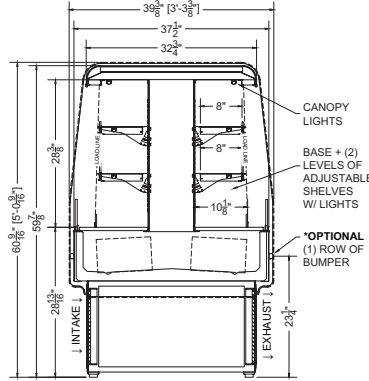
04.6-MDI-3N1P-S | Placid Multideck Island Merchandiser

QTY	DESCRIPTION	PART NUMBER	VOLTAGE	PHASE	AMPS	TOTAL AMPS
2	12" LED 3500K, FROSTED, 24V	LG-FX-XXX-X	115V	1	0.02	0.04
2	18" LED 3500K, FROSTED, 24V	LG-FX-XXX-X	115V	1	0.03	0.06
6	34" LED 3500K, FROSTED, 24V	LG-FX-XXX-X	115V	1	0.07	0.42
6	EVAPORATOR FAN	AFXXX	115V	1	0.24	1.44
1	CONDENSING UNIT	RF-CU-0454-A	208V	1	10.80	10.80
1	CONDENSATE EVAP PAN / 1500W / FULL	EL-EV-XXXX	208V	1	7.21	7.21

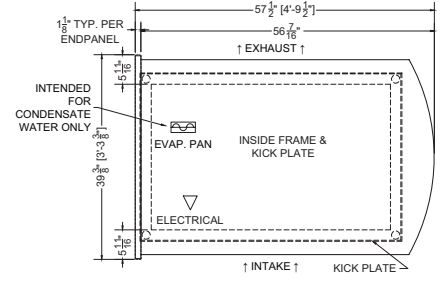
CIRCUIT#1 TOTAL AMPS: 19.97 VOLTAGE:208-230/1/60, 3-WIRE CONNECTION: L14-30P
 SHIPPING DIMENSIONS: 72" X 48" X 72" PACKOUT VOLUME: 17.77 CUBIC FT.
 WEIGHT: 950 LBS. INTERNAL VOLUME: 24.01 CUBIC FT.



Side View - 04.6-P-S



Section View - 04.6-P-S

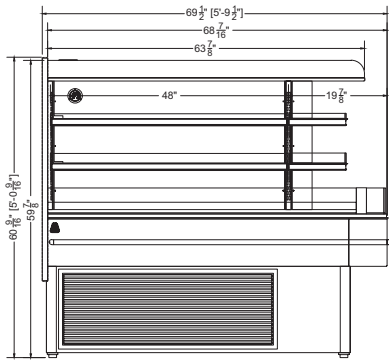


Plan Mechanical View - 04.6-P-S

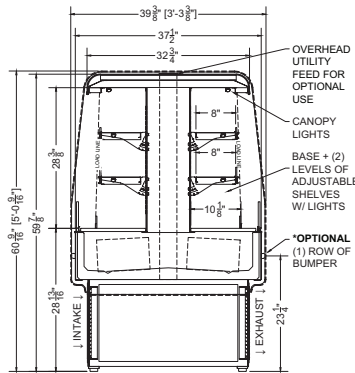
05.6-MDI-3N1P-S | Placid Multideck Island Merchandiser

QTY	DESCRIPTION	PART NUMBER	VOLTAGE	PHASE	AMPS	TOTAL AMPS
2	12" LED 3500K, FROSTED, 24V	LG-FX-XXX-X	115V	1	0.02	0.04
2	18" LED 3500K, FROSTED, 24V	LG-FX-XXX-X	115V	1	0.03	0.06
6	45" LED 3500K, FROSTED, 24V	LG-FX-XXX-X	115V	1	0.09	0.54
8	EVAPORATOR FAN	AFXXX	115V	1	0.24	1.92
1	CONDENSING UNIT	RF-CU-0419	208-230V	1	11.70	11.70
1	CONDENSATE EVAP PAN / 1500W / FULL	EL-EV-XXXX	208V	1	7.21	7.21
1	CONDENSATE PUMP	RF-MS-0442	115V	1	2.00	2.00

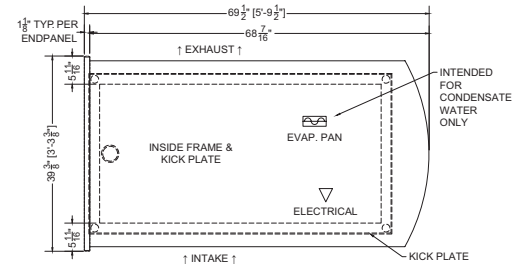
CIRCUIT#1 TOTAL AMPS: 21.47 VOLTAGE: 208-230/1/60, 3-WIRE CONNECTION: L14-30P
 SHIPPING DIMENSIONS: 80" X 48" X 72" PACKOUT VOLUME: 21.65 CUBIC FT.
 WEIGHT: 1050 LBS. INTERNAL VOLUME: 29.08 CUBIC FT.
 * OPTIONAL COMPONENT LOAD INCLUDED: EVAP PAN CAN BE REPLACED WITH PUMP



Side View - 05.6-P-S



Section View - 05.6-P-S

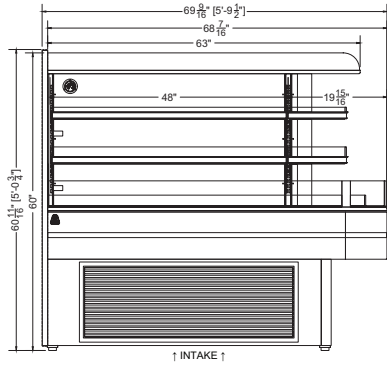


Plan Mechanical View - 05.6-P-S

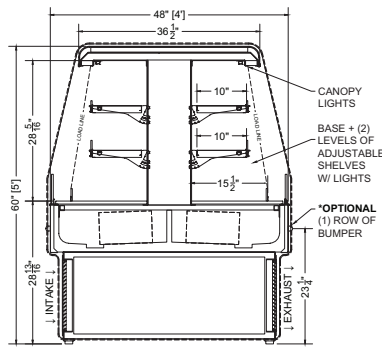
05.6-MDI-3M1P-S | Placid Multideck Island Merchandiser

QTY	DESCRIPTION	PART NUMBER	VOLTAGE	PHASE	AMPS	TOTAL AMPS
2	12" LED 3500K, FROSTED, 24V	LG-FX-XXX-X	115V	1	0.02	0.04
2	18" LED 3500K, FROSTED, 24V	LG-FX-XXX-X	115V	1	0.03	0.06
6	45" LED 3500K, FROSTED, 24V	LG-FX-XXX-X	115V	1	0.09	0.54
8	AXIAL FAN	AFXXX	115V	1	0.24	1.92
1	CONDENSING UNIT	RF-CU-0419	208-230V	1	11.70	11.70
1	CONDENSATE EVAP PAN / 1500W / FULL	EL-EV-XXXX	208V	1	7.21	7.21

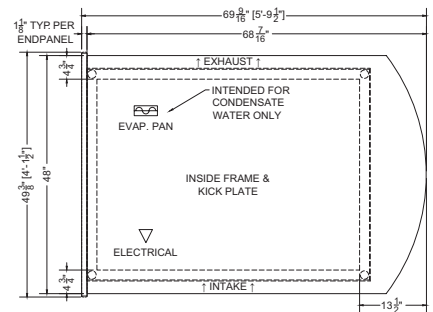
CIRCUIT#1 TOTAL AMPS: 21.47 VOLTAGE: 208-230/1/60, 3-WIRE CONNECTION: L14-30P
 SHIPPING DIMENSIONS: 84" X 60" X 70" PACKOUT VOLUME: 28.01 CUBIC FT.
 WEIGHT: 1140 LBS. INTERNAL VOLUME: 36.54 CUBIC FT.



Side View - 05.6-P-S



Section View - 05.6-P-S

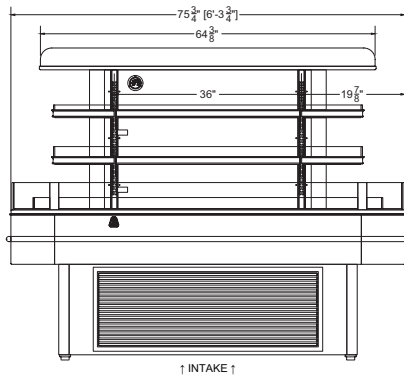


Plan Mechanical View - 05.6-P-S

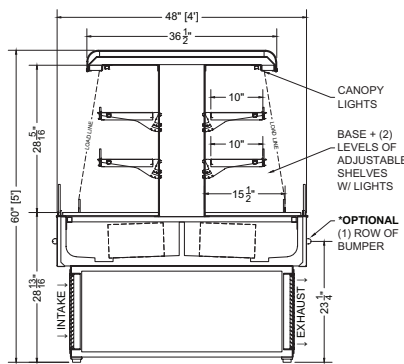
06.2-MDI-3M2P-S | Placid Multideck Island Merchandiser

QTY	DESCRIPTION	PART NUMBER	VOLTAGE	PHASE	AMPS	TOTAL AMPS
4	12" LED 3500K, FROSTED, 24V	LG-FX-XXX-X	115V	1	0.02	0.08
4	18" LED 3500K, FROSTED, 24V	LG-FX-XXX-X	115V	1	0.03	0.12
4	34" LED 3500K, FROSTED, 24V	LG-FX-XXX-X	115V	1	0.07	0.28
2	45" LED 3500K, FROSTED, 24V	LG-FX-XXX-X	115V	1	0.09	0.18
8	AXIAL FAN	AFXXX	115V	1	0.24	1.92
1	CONDENSING UNIT	RF-CU-0419	208-230V	1	11.70	11.70
1	CONDENSATE EVAP PAN / 1500W / FULL	EL-EV-XXXX	208V	1	7.21	7.21

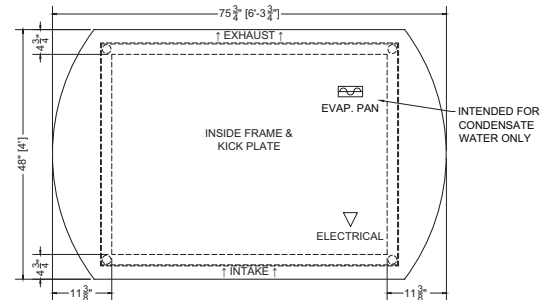
CIRCUIT#1 TOTAL AMPS: 21.49 VOLTAGE: 208-230/1/60, 3-WIRE CONNECTION: L14-30P
 SHIPPING DIMENSIONS: 86" X 60" X 70" PACKOUT VOLUME: 34.94 CUBIC FT.
 WEIGHT: 1110 LBS. INTERNAL VOLUME: 46.42 CUBIC FT.



Side View - 06.2-P-S



Section View - 06.2-P-S

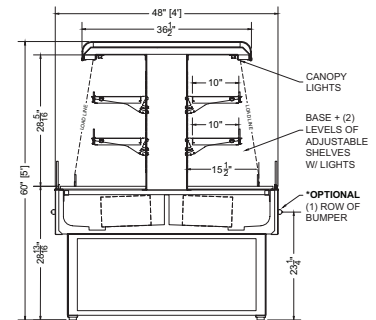


Plan Mechanical View - 06.2-P-S

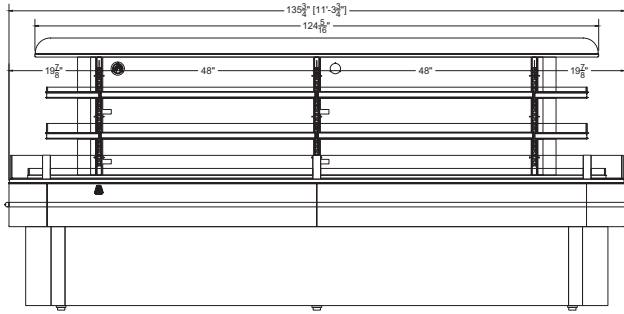
11.2-MDI-3M2P-R | Placid Multideck Island Merchandiser

QTY	DESCRIPTION	PART NUMBER	VOLTAGE	PHASE	AMPS	TOTAL AMPS
4	12" LED 3500K, FROSTED, 24V	LG-FX-XXX-X	115V	1	0.02	0.08
4	12" LED 3500K, FROSTED, 24V	LG-FX-XXX-X	115V	1	0.03	0.12
12	45" LED 3500K, FROSTED, 24V	LG-FX-XXX-X	115V	1	0.09	1.08
10	EVAPORATOR FAN	RF-FA-XXXX	115V	1	0.17	1.70

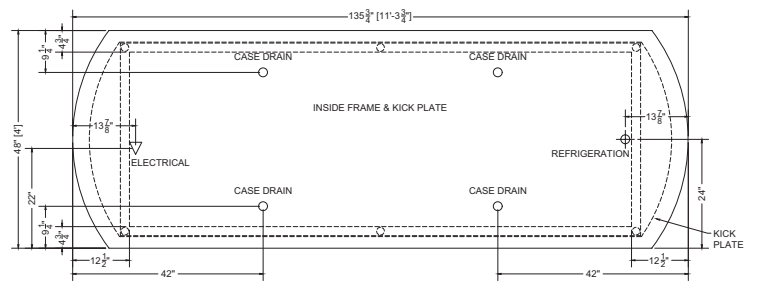
CIRCUIT#1 (LIGHTS) TOTAL AMPS: 1.28 VOLTAGE: 115/1/60 CONNECTION: HARDWIRED
 CIRCUIT#1 (FANS) TOTAL AMPS: 1.70 VOLTAGE: 115/1/60 CONNECTION: HARDWIRED
 MODEL: MDI-3M APPLICATION: DELI BTUH: 18000 EVAP TEMP: 28°F
 DEFROST: TIME-OFF, 4/40 MIN, 47° TEMP TERMINATION
 SHIPPING DIMENSIONS: 148" X 60" X 70" PACKOUT VOLUME: 55.26 CUBIC FT.
 WEIGHT: 1620 LBS. INTERNAL VOLUME: 72.92 CUBIC FT.



Section View - 11.2-P-R



Side View - 11.2-P-R

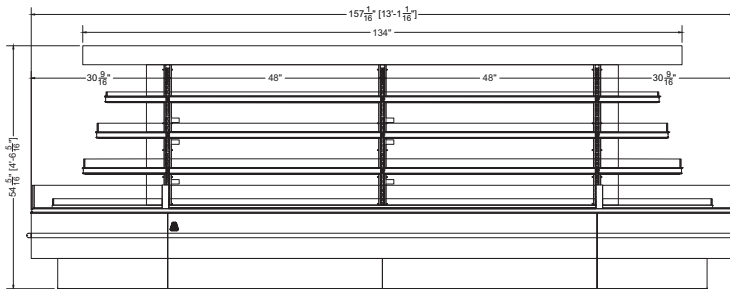


Plan Mechanical View - 11.2-P-R

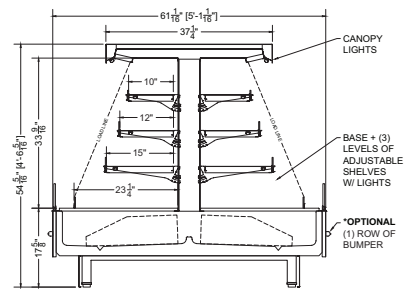
13.0-MDI-3S2FT-R | Placid Multideck Island Merchandiser

QTY	DESCRIPTION	PART NUMBER	VOLTAGE	PHASE	AMPS	TOTAL AMPS
12	7" LED 3500K, FROSTED, 24V	LG-FX-XXX-X	115V	1	0.01	0.12
12	12" LED 3500K, FROSTED, 24V	LG-FX-XXX-X	115V	1	0.02	0.24
12	45" LED 3500K, FROSTED, 24V	LG-FX-XXX-X	115V	1	0.09	1.08
4	51" LED 3500K, FROSTED, 24V	LG-FX-XXX-X	115V	1	0.10	0.40
12	EVAPORATOR FAN	RF-FA-XXXX	115V	1	0.17	2.04

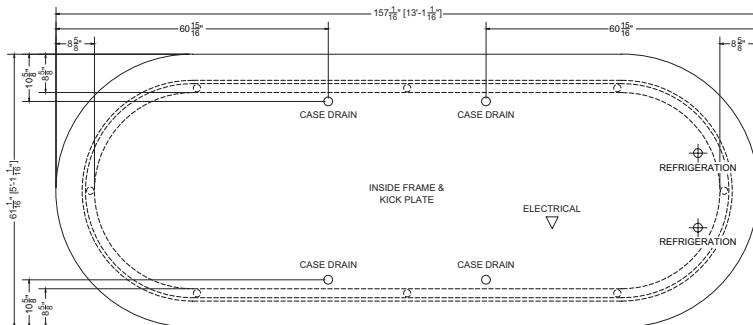
CIRCUIT#1 (LIGHTS) TOTAL AMPS: 1.84 VOLTAGE: 115/1/60 CONNECTION: HARDWIRED
 CIRCUIT#1 (FANS) TOTAL AMPS: 2.04 VOLTAGE: 115/1/60 CONNECTION: HARDWIRED
 MODEL: MDI-3S APPLICATION: DELI BTUH: 28600 EVAP TEMP: 22°F
 DEFROST: TIME-OFF, 4/40 MIN, 47° TEMP TERMINATION PACKOUT VOLUME: 88.11 CUBIC FT.
 INTERNAL VOLUME: 122.69 CUBIC FT.



Side View - 13.0-T-R



Section View - 13.0-T-R



Plan Mechanical View - 13.0-T-R

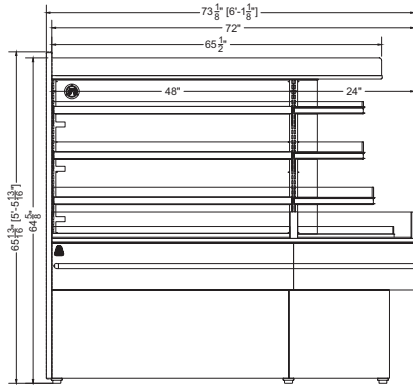


05.9-MDI-4M1F-R | Placid Multideck Island Merchandiser

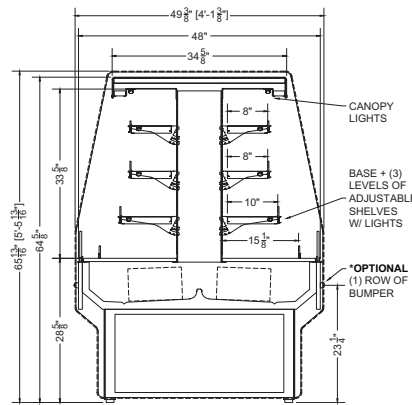
QTY	DESCRIPTION	PART NUMBER	VOLTAGE	PHASE	AMPS	TOTAL AMPS
4	12" LED 3500K, FROSTED, 24V	LG-FX-XXX-X	115V	1	0.02	0.08
1	18" LED 3500K, FROSTED, 24V	LG-FX-XXX-X	115V	1	0.03	0.03
8	45" LED 3500K, FROSTED, 24V	LG-FX-XXX-X	115V	1	0.09	0.72
8	EVAPORATOR FAN	AFXXX	115V	1	0.24	1.92

CIRCUIT#1 (LIGHTS) TOTAL AMPS: 0.83 VOLTAGE: 115/1/60 CONNECTION: HARDWIRED
 CIRCUIT#1 (FANS) TOTAL AMPS: 1.92 VOLTAGE: 115/1/60 CONNECTION: HARDWIRED
 MODEL: MDI-4M APPLICATION: DELI BTUH: 9793 EVAP TEMP: 28°F
 DEFROST: TIME-OFF, 4/40 MIN, 47° TEMP TERMINATION
 SHIPPING DIMENSIONS: 86" X 60" X 76"
 WEIGHT: 1030 LBS.

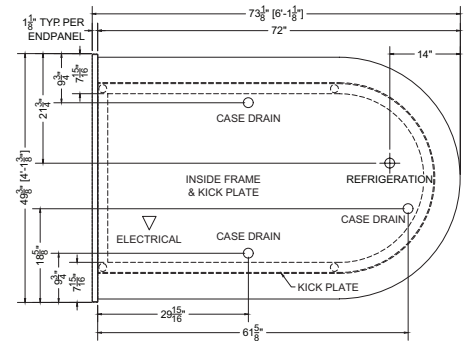
PACKOUT VOLUME: 33.35 CUBIC FT.
 INTERNAL VOLUME: 42.64 CUBIC FT.



Side View - 05.9-F-R



Section View - 05.9-F-R



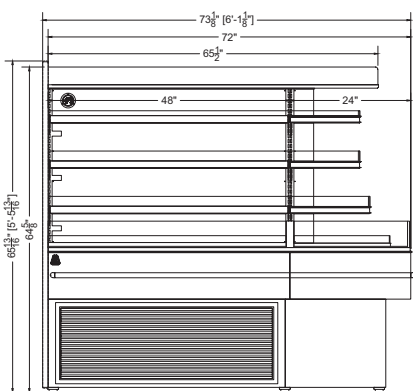
Plan Mechanical View - 05.9-F-R

05.9-MDI-4M1F-S | Placid Multideck Island Merchandiser

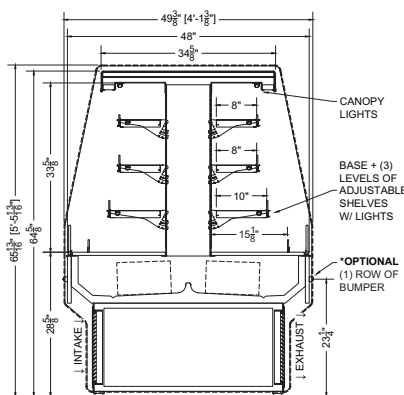
QTY	DESCRIPTION	PART NUMBER	VOLTAGE	PHASE	AMPS	TOTAL AMPS
4	12" LED 3500K, FROSTED, 24V	LG-FX-XXX-X	115V	1	0.02	0.08
1	18" LED 3500K, FROSTED, 24V	LG-FX-XXX-X	115V	1	0.03	0.03
8	45" LED 3500K, FROSTED, 24V	LG-FX-XXX-X	115V	1	0.09	0.72
8	EVAPORATOR FAN	AFXXX	115V	1	0.24	1.92
8	CONDENSING UNIT	RF-CU-0419	208/230V	1	11.70	11.70
1	CONDENSATE EVAP PAN / 1500W / FULL	EL-EV-XXXX	208V	1	7.21	7.21

CIRCUIT#1 TOTAL AMPS: 21.66 VOLTAGE: 208-230/1/60, 3-WIRE CONNECTION: L14-30P
 SHIPPING DIMENSIONS: 86" X 60" X 76"
 WEIGHT: 1190 LBS.

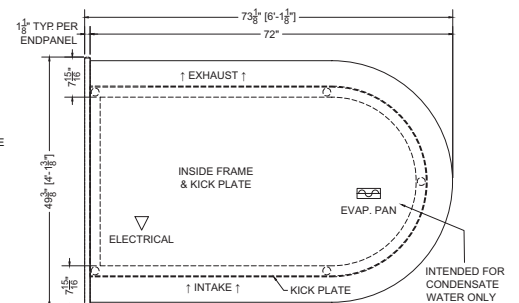
PACKOUT VOLUME: 33.35 CUBIC FT.
 INTERNAL VOLUME: 42.64 CUBIC FT.



Side View - 05.9-F-S



Section View - 05.9-F-S



Plan Mechanical View - 05.9-F-S

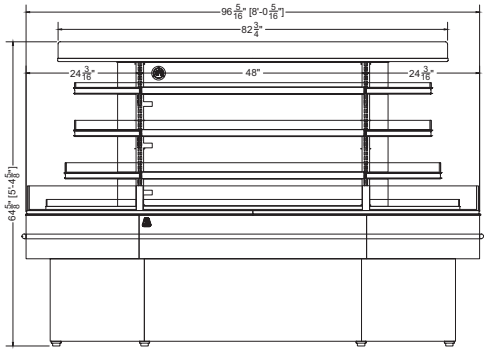


07.9-MDI-4M2F-R | Placid Multideck Island Merchandiser

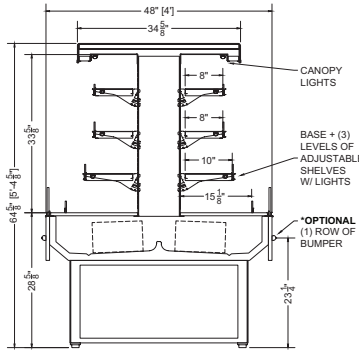
QTY	DESCRIPTION	PART NUMBER	VOLTAGE	PHASE	AMPS	TOTAL AMPS
8	12" LED 3500K, FROSTED, 24V	LG-FX-XXX-X	115V	1	0.02	0.16
2	18" LED 3500K, FROSTED, 24V	LG-FX-XXX-X	115V	1	0.03	0.06
8	45" LED 3500K, FROSTED, 24V	LG-FX-XXX-X	115V	1	0.09	0.72
8	EVAPORATOR FAN	AFXXX	115V	1	0.24	1.92

CIRCUIT#1 (LIGHTS) TOTAL AMPS: 0.94 VOLTAGE: 115/1/60 CONNECTION: HARDWIRED
 CIRCUIT#1 (FANS) TOTAL AMPS: 1.92 VOLTAGE: 115/1/60 CONNECTION: HARDWIRED
 MODEL: MDI-4M APPLICATION: DELI BTUH: 13256 EVAP TEMP: 28°F
 DEFROST: TIME-OFF, 4/40 MIN, 47° TEMP TERMINATION
 SHIPPING DIMENSIONS: 108" X 60" X 76"
 WEIGHT: 1355 LBS.

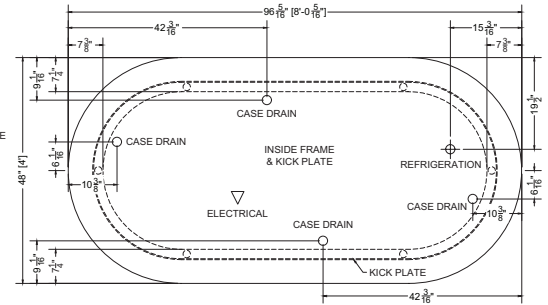
PACKOUT VOLUME: 42.19 CUBIC FT.
 INTERNAL VOLUME: 54.88 CUBIC FT.



Side View - 07.9-F-R



Section View - 07.9-F-R



Plan Mechanical View - 07.9-F-R

07.9-MDI-4M2F-S | Placid Multideck Island Merchandiser

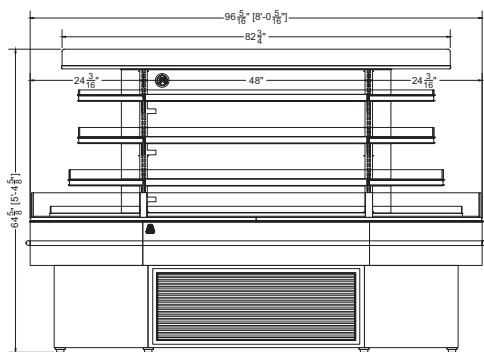
QTY	DESCRIPTION	PART NUMBER	VOLTAGE	PHASE	AMPS	TOTAL AMPS
8	12" LED 3500K, FROSTED, 24V	LG-FX-XXX-X	115V	1	0.02	0.16
2	18" LED 3500K, FROSTED, 24V	LG-FX-XXX-X	115V	1	0.03	0.06
8	45" LED 3500K, FROSTED, 24V	LG-FX-XXX-X	115V	1	0.09	0.72
8	EVAPORATOR FAN	AFXXX	115V	1	0.24	1.92
1	CONDENSING UNIT	RF-CU-0457-A	208V	1	11.50	11.50
1	CONDENSATE EVAP PAN / 1500W / FULL	EL-EV-XXXX	208V	1	7.21	7.21

CIRCUIT#1 TOTAL AMPS: 21.57 VOLTAGE: 208-230/1/60, 3-WIRE CONNECTION: L14-30P
 SHIPPING DIMENSIONS: 108" X 60" X 76"
 WEIGHT: 1355 LBS.

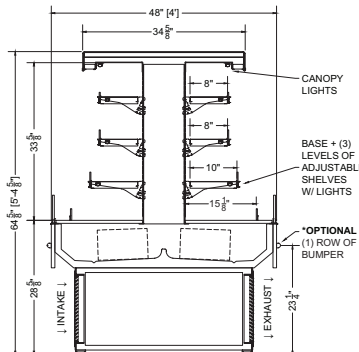
PACKOUT VOLUME: 42.19 CUBIC FT.
 INTERNAL VOLUME: 54.88 CUBIC FT.



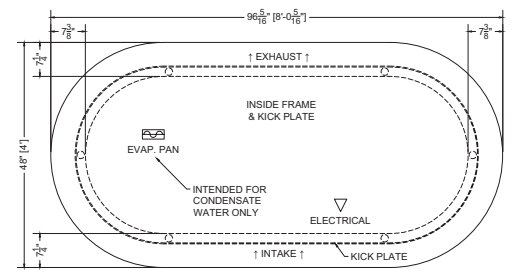
CONFORMS TO UL STD 471.
 CONFORMS TO NSF STD 7.
 CERTIFIED TO CAN/CSA STD C22.2 NO. 120.



Side View - 07.9-F-S



Section View - 07.9-F-S



Plan Mechanical View - 07.9-F-S

For more information on the Placid Multideck Island Merchandiser, contact one of our Southern CaseArts representatives or check out our website to learn more about all of the products offered by Southern CaseArts.