



**Superior**  
**Multideck Island Merchandiser | Cold**  
RIM-3N2-R, RIM-3N2-S & RIM-3S2-R



southerncasearts.com | 800.552.6283



**OVERVIEW**



The **Superior Multideck Island Merchandiser** from **Southern CaseArts** provides 360° customer access to snacks, sandwiches, beverages or prepared foods. Available in both remote and self-contained models and multiple size options, all featuring two adjustable shelves and 3500K LED lights, this island case will be a powerhouse addition to your store.

**STANDARD FEATURES**

- **Nominal Length:** 7.0', 10.0' & 12.1'
- **Shelves:** 2 adjustable shelves with LED lights
- Remote and Self-contained
- **Exterior:** Black powder coat

**PRODUCT CATEGORIES**



Snacks/  
Sandwiches



Chilled  
Beverages

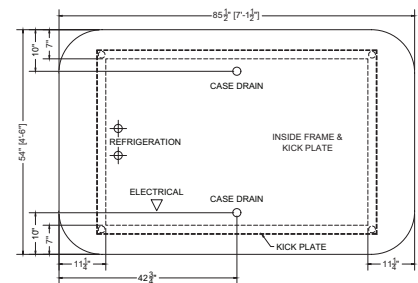


Prepared  
Food

07.0-RIM-3N2-R | Superior Multideck Island Merchandiser

QTY	DESCRIPTION	PART NUMBER	VOLTAGE	PHASE	AMPS	TOTAL AMPS
2	18" LED 3500K, FROSTED, 24V	LG-FX-XXX-X	115V	1	0.03	0.06
4	23" LED 3500K, FROSTED, 24V	LG-FX-XXX-X	115V	1	0.04	0.16
4	34" LED 3500K, FROSTED, 24V	LG-FX-XXX-X	115V	1	0.07	0.28
4	40" LED 3500K, FROSTED, 24V	LG-FX-XXX-X	115V	1	0.08	0.32
4	EVAPORATOR FAN	RF-FA-XXXX	115V	1	0.17	0.68

CIRCUIT#1 (LIGHTS) TOTAL AMPS: 0.82 VOLTAGE:115/1/60 CONNECTION: HARDWIRED  
 CIRCUIT#2 (FANS) TOTAL AMPS: 0.68 VOLTAGE:115/1/60 CONNECTION: HARDWIRED  
 SHIPPING DIMENSIONS: 94" X 58" X 70" PACKOUT VOLUME: 26.74 CUBIC FT.  
 WEIGHT: 1090 LBS. INTERNAL VOLUME: 39.15 CUBIC FT.



Plan Mechanical View

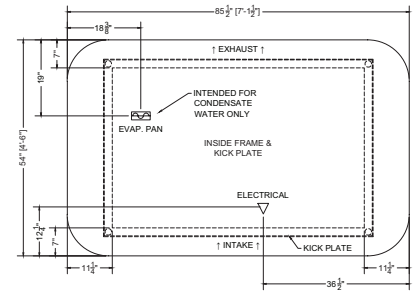




### 07.0-RIM-3N2-S | Superior Multideck Island Merchandiser

QTY	DESCRIPTION	PART NUMBER	VOLTAGE	PHASE	AMPS	TOTAL AMPS
2	18" LED 3500K, FROSTED, 24V	LG-FX-XXX-X	115V	1	0.03	0.06
4	23" LED 3500K, FROSTED, 24V	LG-FX-XXX-X	115V	1	0.02	0.16
4	34" LED 3500K, FROSTED, 24V	LG-FX-XXX-X	115V	1	0.07	0.28
4	40" LED 3500K, FROSTED, 24V	LG-FX-XXX-X	115V	1	0.08	0.32
4	EVAPORATOR FAN	RF-FA-XXXX	115V	1	0.17	0.68
1	CONDENSING UNIT	RF-CU-0419	208/230V	1	11.70	11.70
1	CONDENSATE EVAP PAN / 2000W / FULL	EL-EV-XXXX	208V	1	9.62	9.62

CIRCUIT#1 TOTAL AMPS: 22.82 VOLTAGE: 208-230/1/60 CONNECTION: L14-30P  
 SHIPPING DIMENSIONS: 94" X 58" X 70" PACKOUT VOLUME: 26.74 CUBIC FT.  
 WEIGHT: 1235 LBS. INTERNAL VOLUME: 39.15 CUBIC FT.

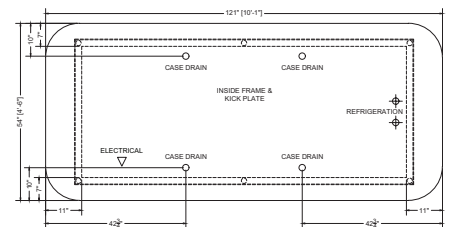


Plan Mechanical View

### 10.0-RIM-3N2-R | Superior Multideck Island Merchandiser

QTY	DESCRIPTION	PART NUMBER	VOLTAGE	PHASE	AMPS	TOTAL AMPS
2	18" LED 3500K, FROSTED, 24V	LG-FX-XXX-X	115V	1	0.03	0.06
4	23" LED 3500K, FROSTED, 24V	LG-FX-XXX-X	115V	1	0.04	0.16
8	34" LED 3500K, FROSTED, 24V	LG-FX-XXX-X	115V	1	0.07	0.56
4	40" LED 3500K, FROSTED, 24V	LG-FX-XXX-X	115V	1	0.08	0.32
8	EVAPORATOR FAN	RF-FA-XXXX	115V	1	0.17	1.36

CIRCUIT#1 (LIGHTS) TOTAL AMPS: 1.10 VOLTAGE: 115/1/60 CONNECTION: HARDWIRED  
 CIRCUIT#2 (FANS) TOTAL AMPS: 1.36 VOLTAGE: 115/1/60 CONNECTION: HARDWIRED  
 SHIPPING DIMENSIONS: 132" X 66" X 69" PACKOUT VOLUME: 40.43 CUBIC FT.  
 WEIGHT: 1479 LBS. INTERNAL VOLUME: 58.07 CUBIC FT.

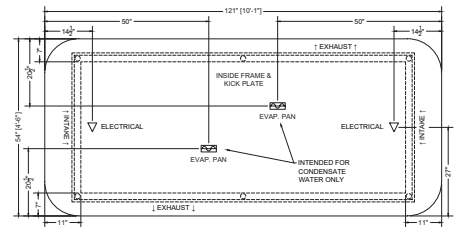


Plan Mechanical View

### 10.0-RIM-3N2-S | Superior Multideck Island Merchandiser

QTY	DESCRIPTION	PART NUMBER	VOLTAGE	PHASE	AMPS	TOTAL AMPS
2	18" LED 3500K, FROSTED, 24V	LG-FX-XXX-X	115V	1	0.03	0.06
4	23" LED 3500K, FROSTED, 24V	LG-FX-XXX-X	115V	1	0.02	0.16
8	34" LED 3500K, FROSTED, 24V	LG-FX-XXX-X	115V	1	0.07	0.28
4	40" LED 3500K, FROSTED, 24V	LG-FX-XXX-X	115V	1	0.08	0.32
8	EVAPORATOR FAN	RF-FA-XXXX	115V	1	0.17	0.68
2	CONDENSING UNIT	RF-CU-0419	208/230V	1	11.70	11.70
2	CONDENSATE EVAP PAN / 1500W / FULL	EL-EV-XXXX	208V	1	9.62	9.62

CIRCUIT#1 TOTAL AMPS: 17.09 VOLTAGE: 208-230/1/60, 3-WIRE CONNECTION: L14-30P  
 CIRCUIT#2 TOTAL AMPS: 15.99 VOLTAGE: 208-230/1/60, 3-WIRE CONNECTION: L14-30P  
 SHIPPING DIMENSIONS: 132" X 66" X 69" PACKOUT VOLUME: 40.43 CUBIC FT.  
 WEIGHT: 1928 LBS. INTERNAL VOLUME: 58.07 CUBIC FT.

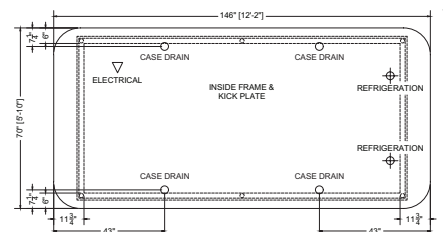


Plan Mechanical View

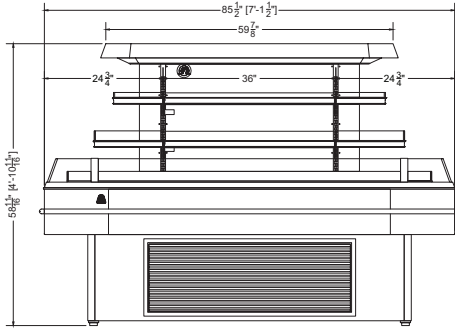
### 12.1-RIM-3S2-R | Superior Multideck Island Merchandiser

QTY	DESCRIPTION	PART NUMBER	VOLTAGE	PHASE	AMPS	TOTAL AMPS
4	23" LED 3500K, FROSTED, 24V	LG-FX-XXX-X	115V	1	0.04	0.16
2	29" LED 3500K, FROSTED, 24V	LG-FX-XXX-X	115V	1	0.05	0.10
6	34" LED 3500K, FROSTED, 24V	LG-FX-XXX-X	115V	1	0.07	0.42
4	45" LED 3500K, FROSTED, 24V	LG-FX-XXX-X	115V	1	0.09	0.36
2	56" LED 3500K, FROSTED, 24V	LG-FX-XXX-X	115V	1	0.11	0.22
10	EVAPORATOR FAN	RF-FA-XXXX	115V	1	0.17	1.70

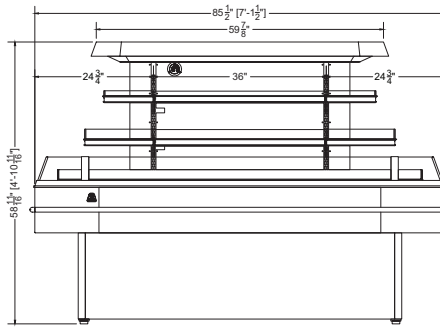
CIRCUIT#1 (LIGHTS) TOTAL AMPS: 1.26 VOLTAGE: 115/1/60 CONNECTION: HARDWIRED  
 CIRCUIT#2 (FANS) TOTAL AMPS: 1.70 VOLTAGE: 115/1/60 CONNECTION: HARDWIRED  
 SHIPPING DIMENSIONS: 158" X 82" X 67" PACKOUT VOLUME: 66.76 CUBIC FT.  
 WEIGHT: 2500 LBS. INTERNAL VOLUME: 94.89 CUBIC FT.



Plan Mechanical View



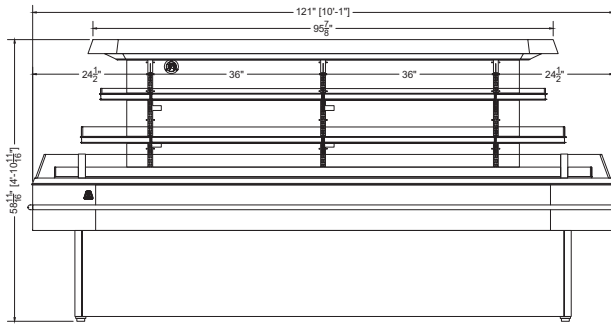
Front View - 7.0-S



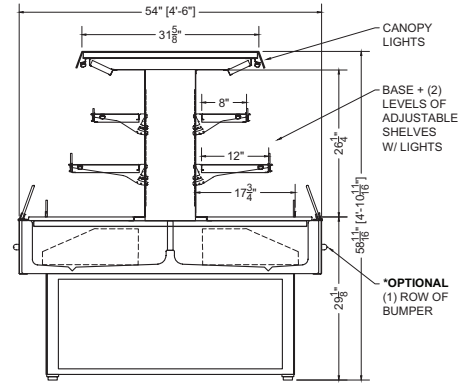
Front View - 7.0-R



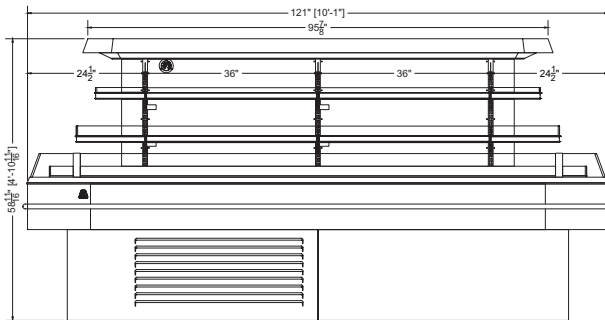
CONFORMS TO UL STD 471.  
CONFORMS TO NSF STD 7.  
CERTIFIED TO CAN/CSA STD C22.2 NO. 120.



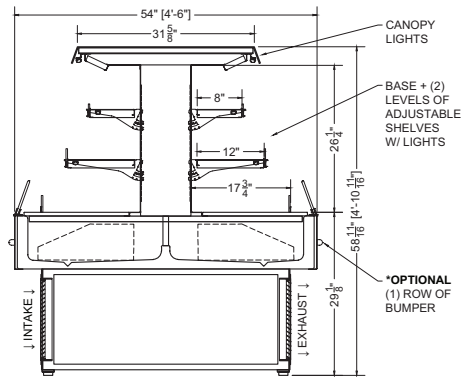
Front View - 10.0-R



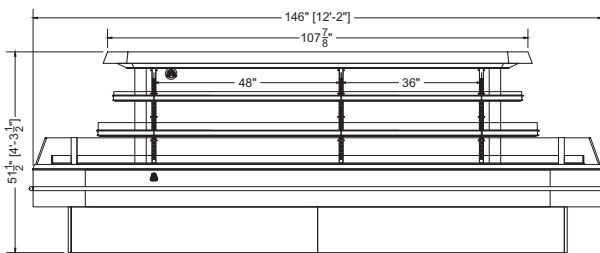
Section View - for 07.0-R & 10.0-R



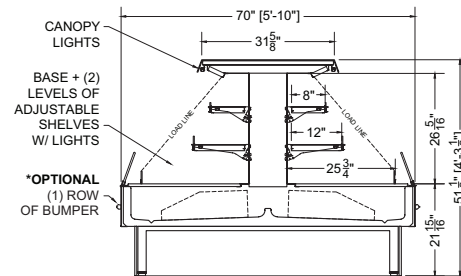
Front View - 10.0-S



Section View - for 07.0-S & 10.0-S



Front View - 12.1-R



Section View - 12.1-R

For more information on this Superior Island Merchandiser, contact one of our Southern CaseArts representatives or check out our website to learn more about all of the products offered by Southern CaseArts.



southerncasearts.com

© 2024 Southern CaseArts. All rights reserved. Information and specifications subject to change without notice. All values are design or typical values when measured under laboratory conditions.