



Sycamore
Spot Merchandiser | Cold
SAR-BIN1-S, SAR-BIN4-S & SAR-BIN6-S



southerncasearts.com | 800.552.6283



OVERVIEW



The **Sycamore Orchard Bin Spot Merchandiser** from **Southern CaseArts** is the perfect way to showcase fresh fruits and vegetables. These self-contained merchandisers are available in three different lengths and feature swivel casters for easy mobility. The **Sycamore** provides convenience and flexibility in an attractive case your customers are sure to love.

STANDARD FEATURES

- **Nominal Length:** 2.9', 5.8' & 9.3'
- Perforated base deck
- Self-contained
- **Exterior:** Wood

PRODUCT CATEGORIES



Produce

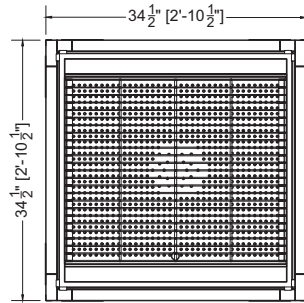
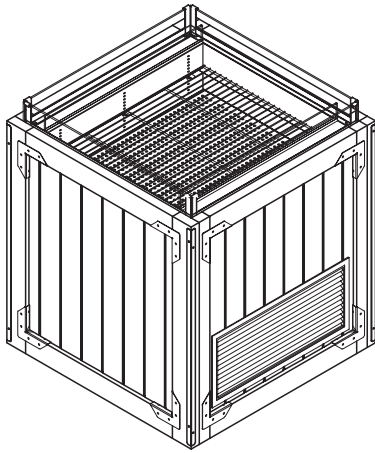
02.9-SAR-BIN1-S | Sycamore Spot Merchandiser

QTY	DESCRIPTION	PART NUMBER	VOLTAGE	PHASE	AMPS	TOTAL AMPS
1	EVAPORATOR FAN	RF-FA-XXXX	115V	1	0.17	0.17
1	CONDENSING UNIT	RF-CU-0375-A	115V	1	8.24	8.24
1	CONDENSATE EVAP PAN / 500W / HALF	EL-EV-XXXX	115V	1	4.17	4.17

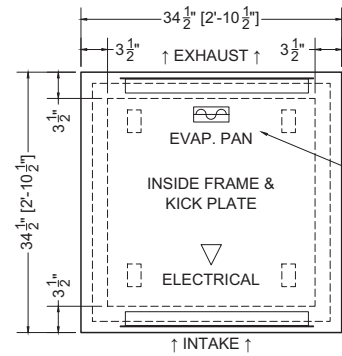
NOTICE:
THIS MERCHANDISER IS NOT INTENDED FOR THE DISPLAY OF POTENTIALLY HAZARDOUS FOODS.

CIRCUIT#1 TOTAL AMPS: 12.58 VOLTAGE: 115/1/60 CONNECTION: L5-20P
PACKOUT VOLUME: 4.35 CUBIC FT.
INTERNAL VOLUME: 5.42 CUBIC FT.



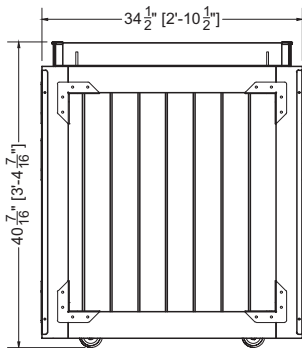


Plan View

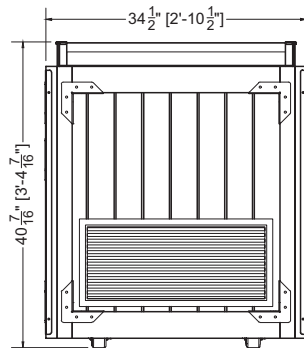


Plan Mechanical View

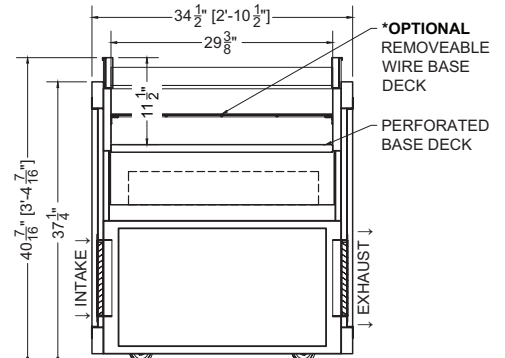
INTENDED FOR
CONDENSATE
WATER ONLY



Side View



Front View



Section View

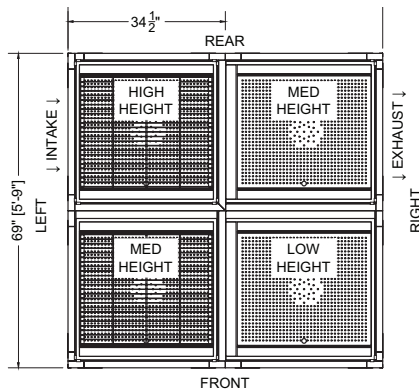
*OPTIONAL
REMOVEABLE
WIRE BASE
DECK
PERFORATED
BASE DECK
SWIVEL
CASTERS

05.8-SAR-BIN4-S | Sycamore Spot Merchandiser

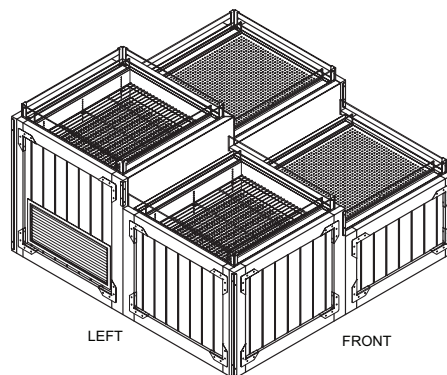
QTY	DESCRIPTION	PART NUMBER	VOLTAGE	PHASE	AMPS	TOTAL AMPS
4	EVAPORATOR FAN	RF-FA-XXXX	115V	1	0.17	0.68
1	CONDENSING UNIT	RF-CU-0378-A	208/230V	1	5.75	5.75
1	CONDENSATE EVAP PAN / 1500W / FULL	EL-EV-XXXX	208V	1	7.21	7.21

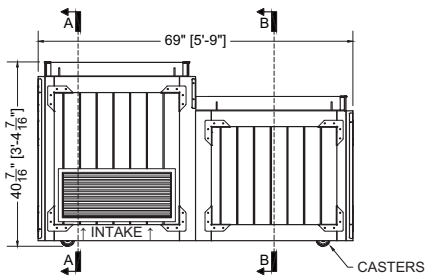
NOTICE:
THIS MERCHANDISER IS
NOT INTENDED FOR THE
DISPLAY OF POTENTIALLY
HAZARDOUS FOODS.

CIRCUIT#1 TOTAL AMPS: 13.64 VOLTAGE: 208-230/1/60, 3-WIRE CONNECTION: L14-20P
PACKOUT VOLUME: 11.02 CUBIC FT.
INTERNAL VOLUME: 18.06 CUBIC FT.

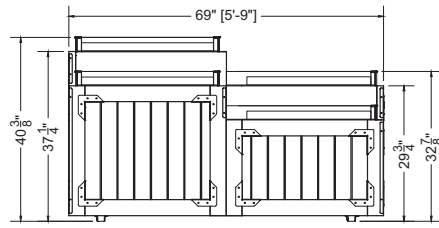


Plan View

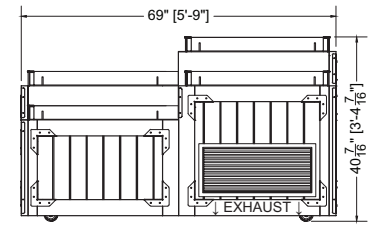




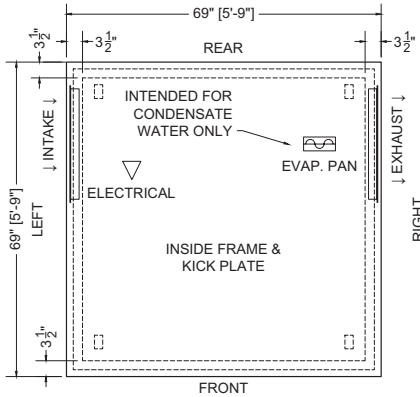
Left View



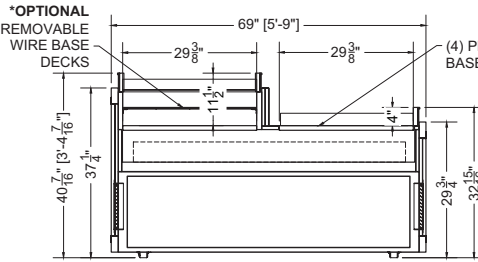
Front View



Right View

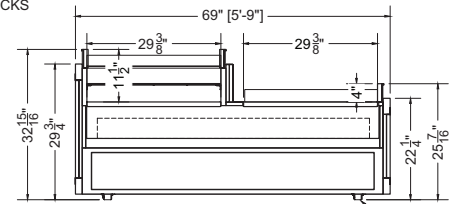


Plan Mechanical View



Section A:A View

HIGH & MID HEIGHT SECTIONS



Section B:B View

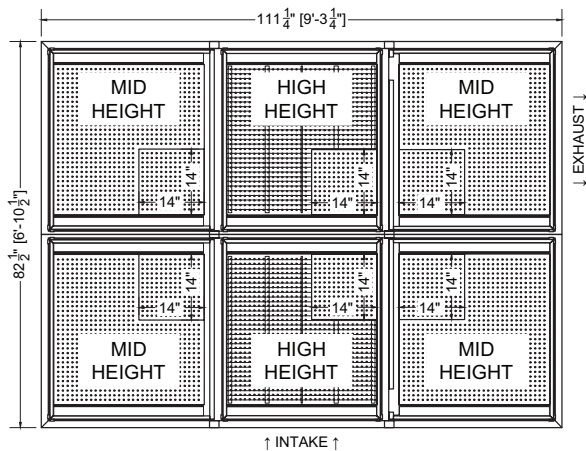
MID & LOW HEIGHT SECTIONS

09.3-SAR-BIN6-S | Sycamore Spot Merchandiser

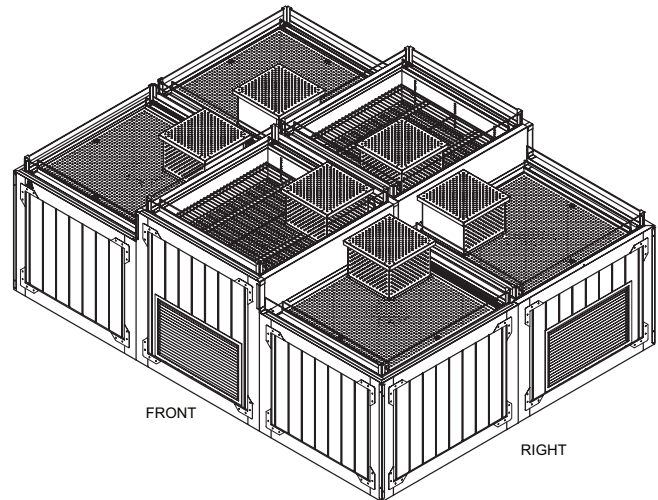
QTY	DESCRIPTION	PART NUMBER	VOLTAGE	PHASE	AMPS	TOTAL AMPS
6	EVAPORATOR FAN	RF-FA-XXXX	115V	1	0.17	1.02
1	CONDENSING UNIT	RF-CU-0388-A	208/230V	1	9.80	9.80
1	CONDENSATE EVAP PAN / 1500W / FULL	EL-EV-XXXX	208V	1	7.21	7.21

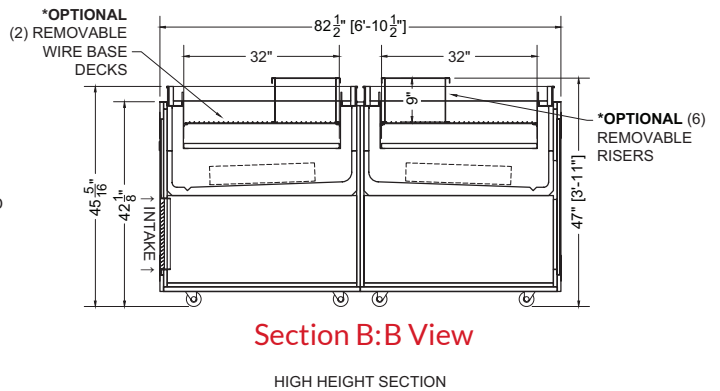
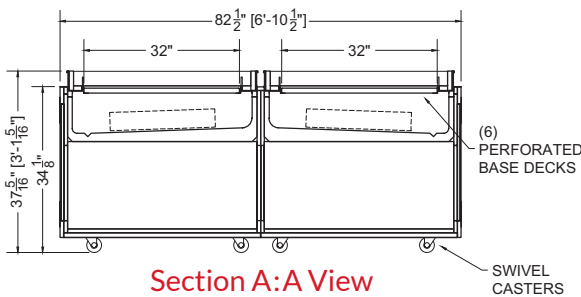
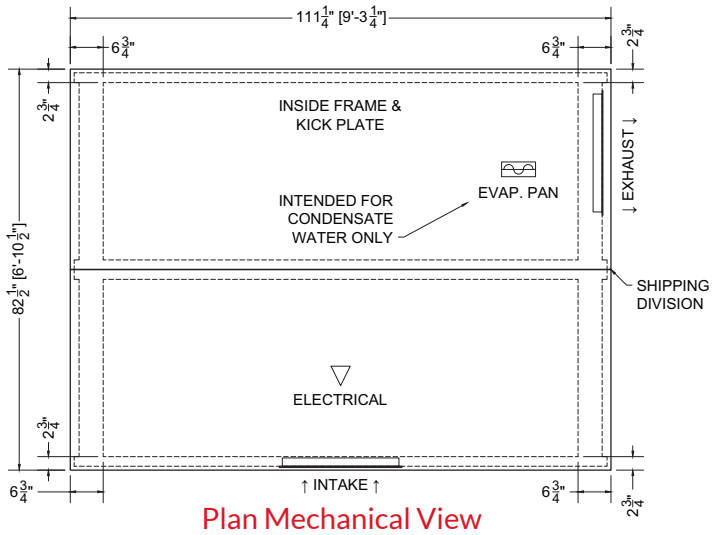
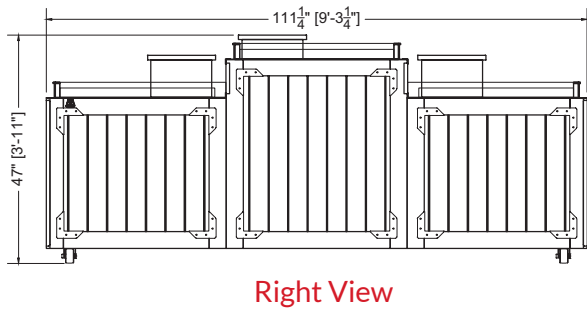
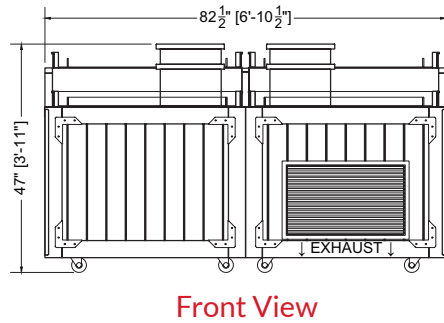
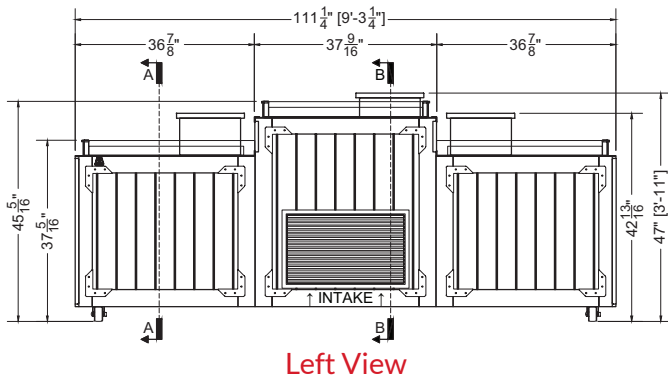
NOTICE:
THIS MERCHANDISER IS NOT INTENDED FOR THE DISPLAY OF POTENTIALLY HAZARDOUS FOODS.

CIRCUIT#1 TOTAL AMPS: 18.03 VOLTAGE: 208-230/1/60, 3-WIRE CONNECTION: L14-30P
PACKOUT VOLUME: 11.13 CUBIC FT.
INTERNAL VOLUME: 40.85 CUBIC FT.



Plan View





For more information on the Sycamore Spot Merchandiser, contact one of our Southern CaseArts representatives or check out our website to learn more about all of the products offered by Southern CaseArts.