

02.9-SAR-BIN1-S (WITH CASTERS, SELF-CONTAINED)

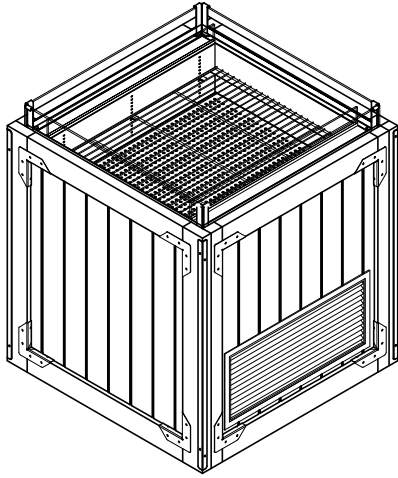
SYCAMORE

QTY	DESCRIPTION	PART NUMBER	VOLTAGE	PHASE	AMPS	TOTAL AMPS
1	EVAPORATOR FAN	RF-FA-XXXX	115V	1	0.17	0.17
1	CONDENSING UNIT	RF-CU-0375-A	115V	1	8.24	8.24
1	CONDENSATE EVAP PAN / 500W / HALF	EL-EV-XXXX	115V	1	4.17	4.17

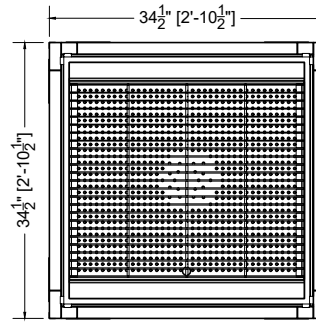
CIRCUIT#1 TOTAL AMPS:12.58 VOLTAGE:115/1/60 CONNECTION:L5-20P

PACKOUT VOLUME: 4.35 CUBIC FT.  
INTERNAL VOLUME: 5.42 CUBIC FT.

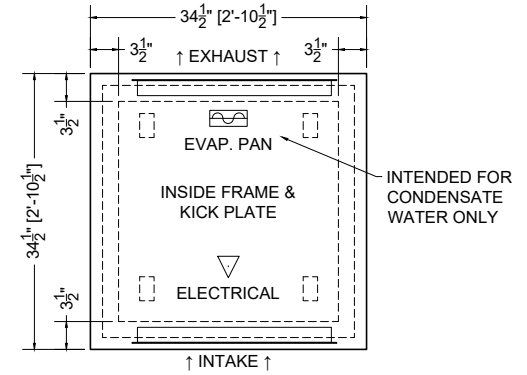
**NOTICE:**  
THIS MERCHANDISER IS NOT INTENDED FOR THE DISPLAY OF POTENTIALLY HAZARDOUS FOODS.



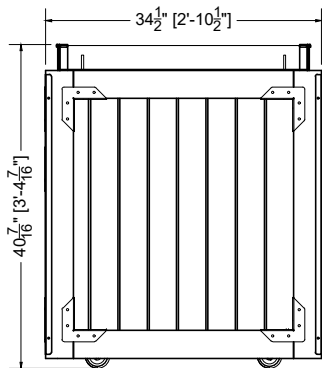
ISOMETRIC VIEW



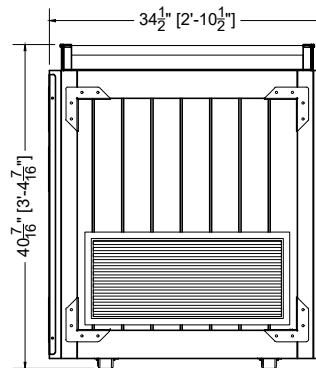
PLAN VIEW



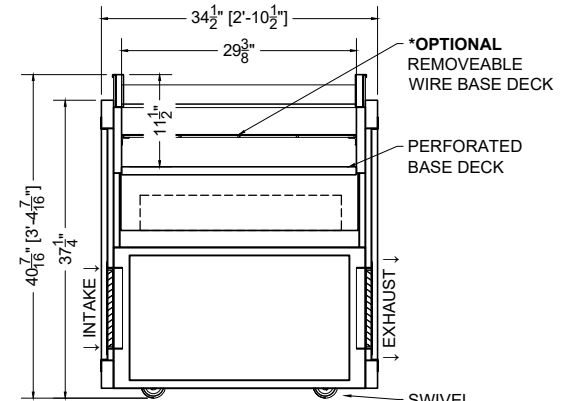
PLAN MECHANICAL VIEW



SIDE VIEW



FRONT VIEW



SECTION VIEW

PROJ SPECIFICATION SHEET

DES 02.9-SAR-BIN1-S Bin Produce Display (W/ CASTERS, S/C)

NAME AME Dwg# 037942 Rev #IR- 12/20/23

**CONFIDENTIAL DOCUMENT:** THIS DRAWING IS CONFIDENTIAL AND THE PROPERTY OF SOUTHERN CASEARTS, INC AND IS NOT TO BE REPRODUCED OR EXCHANGED WITH ANY OTHER PERSON OR COMPANY WITHOUT THE EXPRESS WRITTEN CONSENT OF SOUTHERN CASEARTS, INC.

COPYRIGHT ©2023 SOUTHERN CASEARTS, INC. ALL RIGHTS RESERVED

1/2" = 1"

DRAWING DETAILS SUBJECT TO CHANGE DURING THE ENGINEERING PROCESS



**SOUTHERN CaseArts**