

PLAN MECHANICAL VIEW

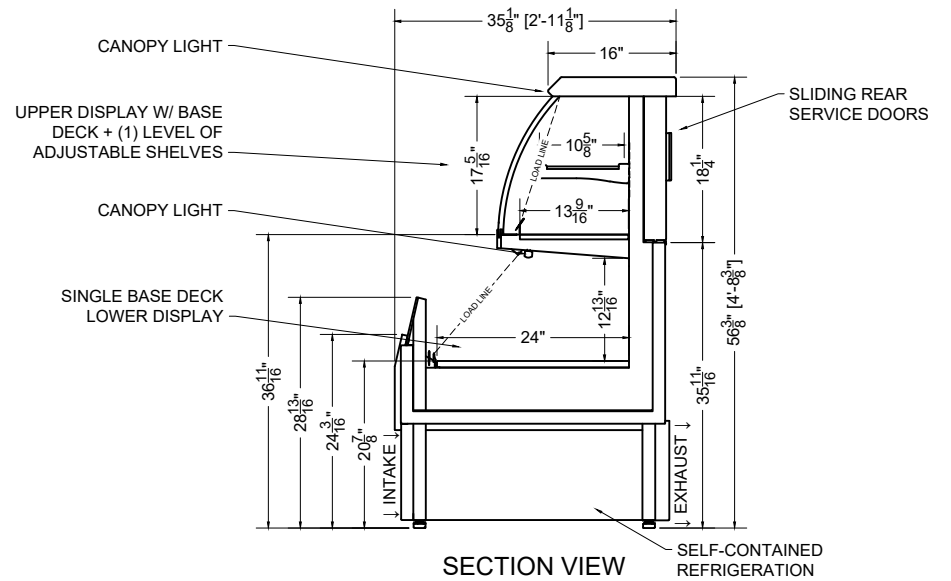
03.1-CHS-56AN-S (SELF-CONTAINED)

COTTONWOOD

QTY	DESCRIPTION	PART NUMBER	VOLTAGE	PHASE	AMPS	TOTAL AMPS
2	34" LED 4000K 24V	LG-FX-XXX-X	115V	1	0.38	0.75
2	EVAPORATOR FAN	AFXXX	115V	1	0.08	0.16
1	COMPRESSOR	---	115V	1	5.95	5.95
1	CONDENSER COIL FAN MOTOR	---	115V	1	0.20	0.20
1	EVAP PAN	---	115V	1	3.48	3.48

CIRCUIT#1 TOTAL AMPS: 10.54 VOLTAGE: 115/1/60 CONNECTION: 5-15P  
 MODEL: CHS-56AN APPLICATION: DELI BTUH: 4351 EVAP TEMP: 14°F  
 DEFROST: TIME-OFF, 4/45MIN, 50° TEMP TERMINATION  
 \* R290 (PROPANE) REFRIGERATION AVAILABLE

TOP PACKOUT VOLUME: 4.19 CUBIC FT.  
 BOTTOM PACKOUT VOLUME: 5.55 CUBIC FT.  
 TOP INTERNAL VOLUME: 4.97 CUBIC FT.  
 BOTTOM INTERNAL VOLUME: 7.10 CUBIC FT.



SECTION VIEW

