

PLAN MECHANICAL VIEW

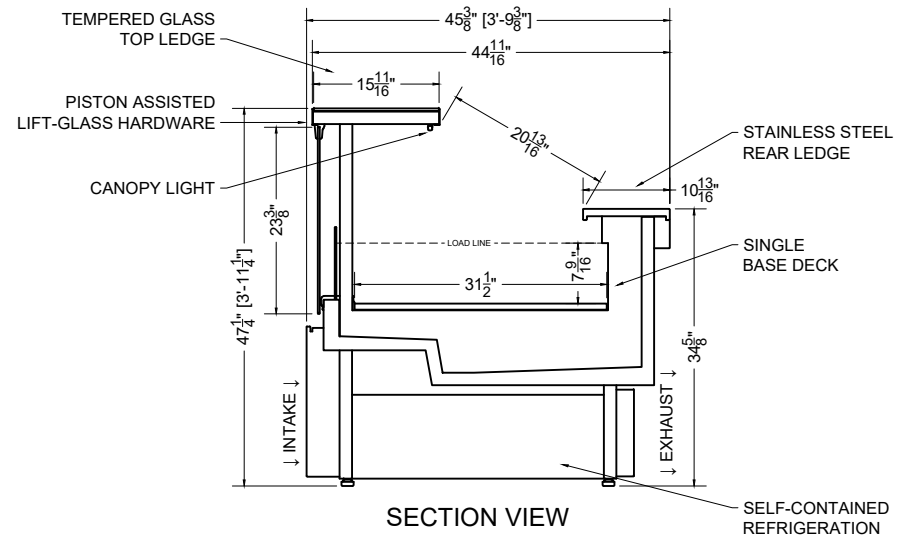
03.1-SCS-47ASBL-S (SELF-CONTAINED)

HEMLOCK

QTY	DESCRIPTION	PART NUMBER	VOLTAGE	PHASE	AMPS	TOTAL AMPS
1	34" LED 2700K, 24V	LG-FX-XXX-X	115V	1	0.38	0.38
1	EVAPORATOR FAN	AFXXX	115V	1	0.20	0.20
1	AIR SWEEP FAN	AFXXX	115V	1	0.08	0.08
1	COMPRESSOR	---	115V	1	2.97	2.97
1	CONDENSER COIL FAN MOTOR	---	115V	1	0.20	0.20
1	EVAP PAN	---	115V	1	3.48	3.48
1	GLASS HEATER	---	115V	1	1.74	1.74

CIRCUIT#1 TOTAL AMPS: 9.05 VOLTAGE: 115/1/60 CONNECTION: 5-15P
 MODEL: SCS-47ASBL APPLICATION: FRESH MEAT BTUH: 2637 EVAP TEMP: 14°F
 DEFROST: TIME-OFF, 4/45MIN, 50° TEMP TERMINATION
 * R290 (PROPANE) REFRIGERATION AVAILABLE

PACKOUT VOLUME: 5.09 CUBIC FT.
 INTERNAL VOLUME: 14.27 CUBIC FT.



SECTION VIEW

