

PLAN MECHANICAL VIEW

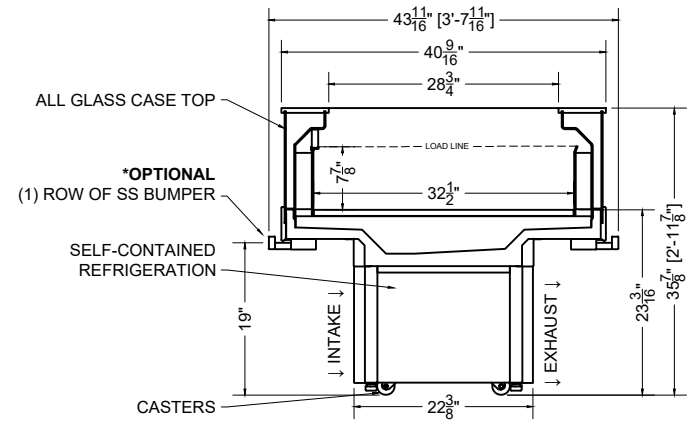
03.3-SAR-36ASM-S (SELF-CONTAINED)

PINE

QTY	DESCRIPTION	PART NUMBER	VOLTAGE	PHASE	AMPS	TOTAL AMPS
2	EVAPORATOR FAN	AFXX	115V	1	0.08	0.16
1	COMPRESSOR	---	115V	1	5.56	5.56
1	CONDENSER COIL FAN MOTOR	---	115V	1	0.20	0.20
1	EVAP PAN	---	115V	1	3.48	3.48

CIRCUIT#1 TOTAL AMPS: 9.40 VOLTAGE: 115/1/60 CONNECTION: 5-15P
 MODEL: SAR-36ASM APPLICATION: DELI BTUH: 3497 EVAP TEMP: 14°F
 DEFROST: TIME-OFF, 4/45MIN, 50° TEMP TERMINATION
 * R290 (PROPANE) REFRIGERATION AVAILABLE

PACKOUT VOLUME: 5.87 CUBIC FT.
 INTERNAL VOLUME: 9.22 CUBIC FT.



SECTION VIEW

