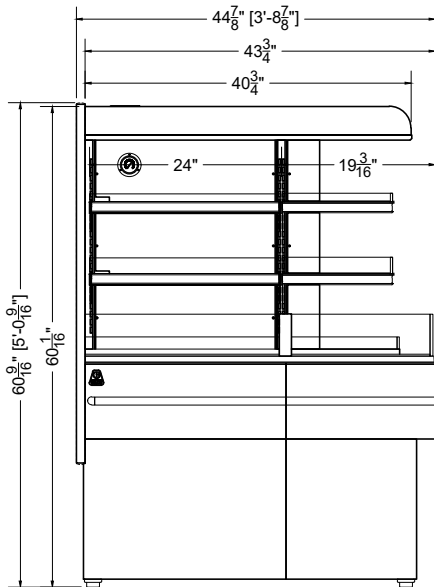


PLAN MECHANICAL VIEW



SIDE VIEW

03.5-MDI-3N1F-R = 2' CENTER + (1) FULL-RADIUS END

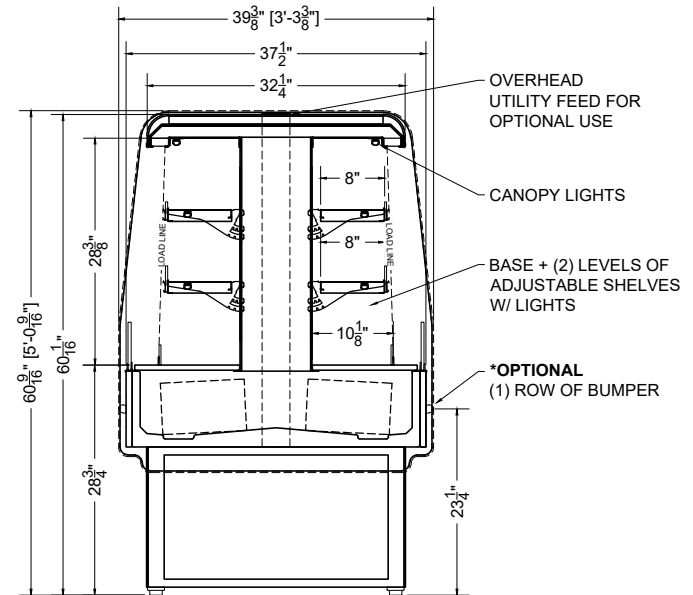
PLACID

QTY	DESCRIPTION	PART NUMBER	VOLTAGE	PHASE	AMPS	TOTAL AMPS
4	12" LED 3500K, FROSTED, 24V	LG-FX-XXX-X	115V	1	0.02	0.08
6	23" LED 3500K, FROSTED, 24V	LG-FX-XXX-X	115V	1	0.04	0.24
6	EVAPORATOR FAN	AFXXX	115V	1	0.24	1.44

CIRCUIT#1 (LIGHTS) TOTAL AMPS:0.32 VOLTAGE:115/1/60 CONNECTION:HARDWIRED  
 CIRCUIT#2 (FANS) TOTAL AMPS:1.44 VOLTAGE:115/1/60 CONNECTION:HARDWIRED  
 MODEL:MDI-3N APPLICATION:DELI BTUH:5000 EVAP TEMP: 20°F  
 DEFROST: TIME-OFF, 4/40MIN, 47° TEMP TERMINATION  
 SHIPPING DIMENSIONS: 56" X 48" X 72"  
 WEIGHT: 610 LBS

PACKOUT VOLUME: 12.54 CUBIC FT.  
 INTERNAL VOLUME: 17.75 CUBIC FT.

CONFORMS TO UL STD 471.  
 CONFORMS TO NSF STD 7.  
 CERTIFIED TO CAN/CSA STD C22.2 NO. 120.



SECTION VIEW

