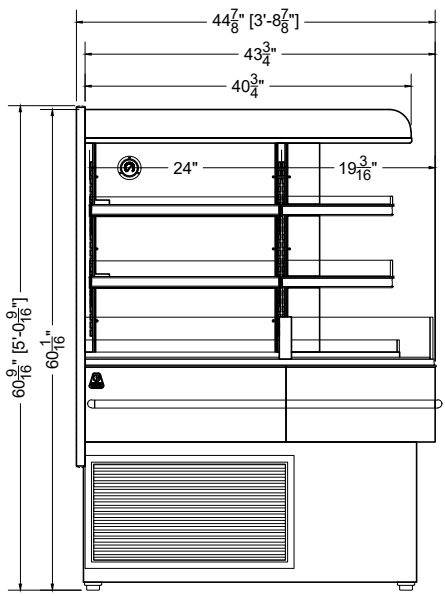


PLAN MECHANICAL VIEW



SIDE VIEW

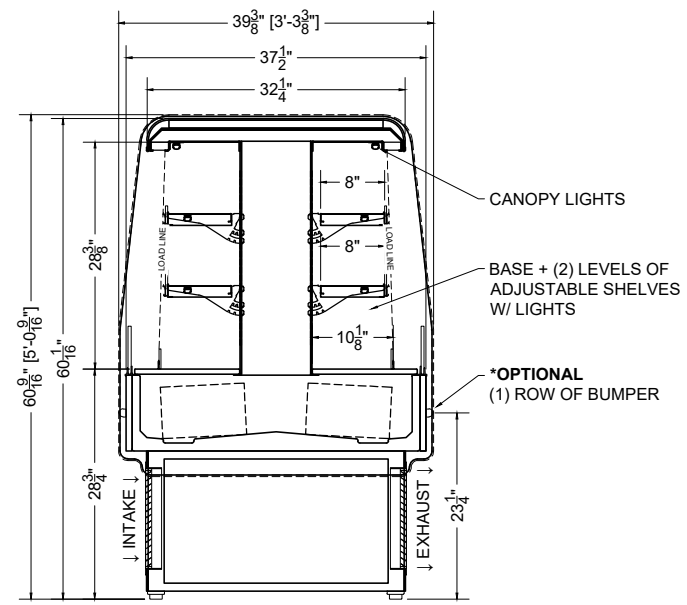
03.5-MDI-3N1F-S = 2' CENTER + (1) FULL-RADIUS END (SELF-CONTAINED)

PLACID

QTY	DESCRIPTION	PART NUMBER	VOLTAGE	PHASE	AMPS	TOTAL AMPS
4	12" LED 3500K, FROSTED, 24V	LG-FX-XXX-X	115V	1	0.02	0.08
6	23" LED 3500K, FROSTED, 24V	LG-FX-XXX-X	115V	1	0.04	0.24
6	EVAPORATOR FAN	AFXXX	115V	1	0.24	1.44
1	CONDENSING UNIT	RF-CU-0388-A	208/230V	1	9.80	9.80
1	CONDENSATE EVAP PAN / 1500W / HALF	EL-EV-XXXX	208V	1	7.21	7.21

CIRCUIT#1 TOTAL AMPS:18.77 VOLTAGE:208-230/1/60, 3-WIRE CONNECTION:L14-30P
 SHIPPING DIMENSIONS: 56" X 48" X 72" PACKOUT VOLUME: 12.54 CUBIC FT.
 WEIGHT: 710 LBS INTERNAL VOLUME: 17.75 CUBIC FT.

CONFORMS TO UL STD 471.
 CONFORMS TO NSF STD 7.
 CERTIFIED TO CAN/CSA STD C22.2 NO. 120.



SECTION VIEW

