

PLAN MECHANICAL VIEW

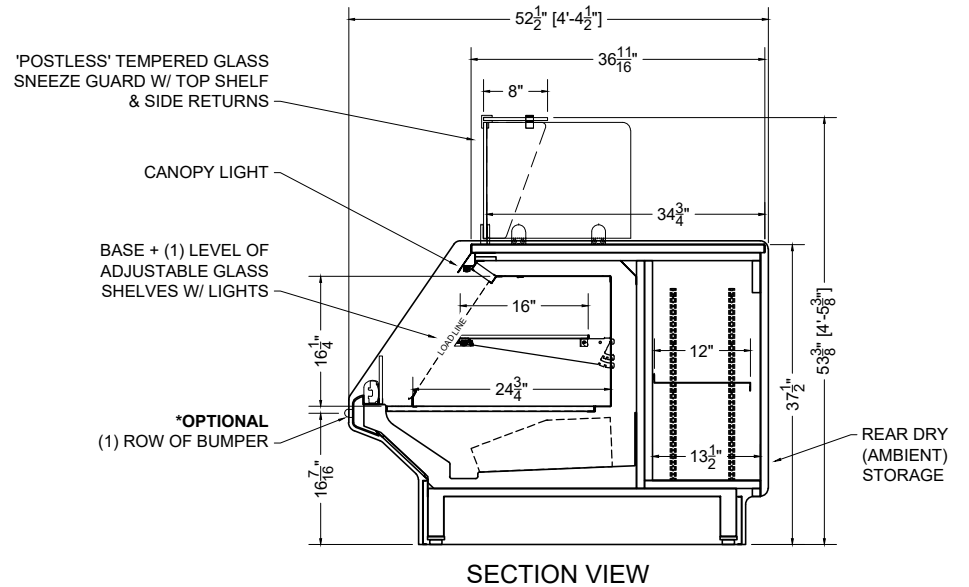
04.0-BCX-BYWC-R

QTY	DESCRIPTION	PART NUMBER	VOLTAGE	PHASE	AMPS	TOTAL AMPS
3	45" LED 3500K, FROSTED, 24V	LG-FX-XXX-X	115V	1	0.09	0.27
2	EVAPORATOR FAN	RF-FA-XXXX	115V	1	0.17	0.34

CIRCUIT#1 (LIGHTS) TOTAL AMPS:0.27 VOLTAGE:115/1/60 CONNECTION:HARDWIRED
 CIRCUIT#2 (FANS) TOTAL AMPS:0.34 VOLTAGE:115/1/60 CONNECTION:HARDWIRED
 MODEL:BCX-BYWC APPLICATION: BAKERY / PASTRY BTUH:2000 EVAP TEMP: 22
 DEFROST: TIME-OFF, 4/30MIN, 47° TEMP TERMINATION

* OPTIONAL COMPONENT LOAD INCLUDED

CONFORMS TO UL STD 471.
 CONFORMS TO NSF STD 7.
 CERTIFIED TO CAN/CSA STD C22.2 NO. 120.



SECTION VIEW

