

PLAN MECHANICAL VIEW

04.0-MDC-59AVBH-S (SELF-CONTAINED)

HICKORY

QTY	DESCRIPTION	PART NUMBER	VOLTAGE	PHASE	AMPS	TOTAL AMPS
1	CANOPY LIGHT	LG-FX-XXX-X	115V	1	0.13	0.13
3	SHELF LIGHTS	LG-FX-XXX-X	115V	1	0.07	0.21
1	EVAPORATOR FAN	---	115V	1	0.31	0.31
1	COMPRESSOR	---	115V	1	5.95	5.95
1	CONDENSER FAN	---	115V	1	0.31	0.31
1	CONTROLS	---	115V	1	0.09	0.09
1	ANTI-CONDENSATE HEATER	---	115V	1	3.04	3.04

CIRCUIT#1

TOTAL AMPS: 10.04

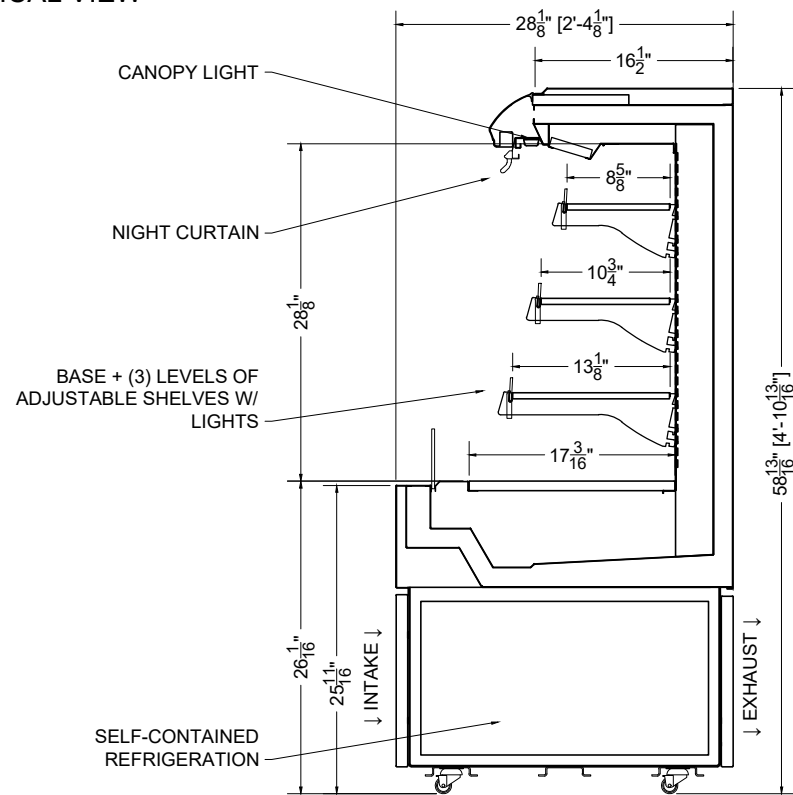
VOLTAGE: 115/1/60

CONNECTION: 5-15P

PACKOUT VOLUME: 9.45 CUBIC FT.

INTERNAL VOLUME: 13.83 CUBIC FT.

* R290 (PROPANE) REFRIGERATION AVAILABLE



SECTION VIEW

PROJ SPECIFICATION SHEET

Des: 04.0-MDC-59AVBH-S Spot Merchandiser (S/C)

Name: AME Dwg#: 038568 Rev: #01- 06/21/24

CONFIDENTIAL DOCUMENT: THIS DRAWING IS CONFIDENTIAL AND THE PROPERTY OF SOUTHERN CASEARTS, INC AND IS NOT TO BE REPRODUCED OR EXCHANGED WITH ANY OTHER PERSON OR COMPANY WITHOUT THE EXPRESS WRITTEN CONSENT OF SOUTHERN CASEARTS, INC.

COPYRIGHT ©2024 SOUTHERN CASEARTS, INC. ALL RIGHTS RESERVED

3/4" = 1"

DRAWING DETAILS SUBJECT TO CHANGE DURING THE ENGINEERING PROCESS



SOUTHERN CaseArts