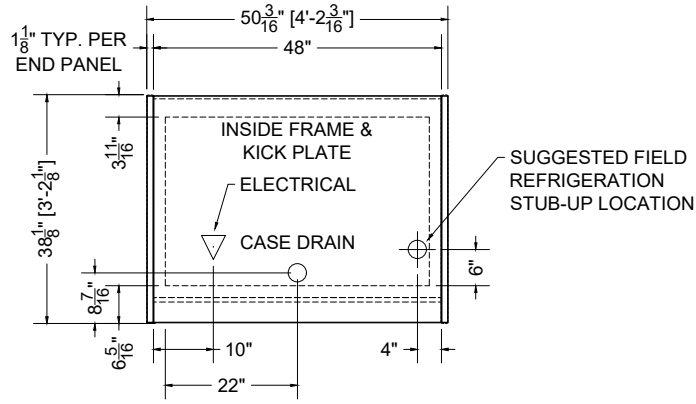


QTY	DESCRIPTION	PART NUMBER	VOLTAGE	PHASE	AMPS	TOTAL AMPS
4	45° LED 3500K, FROSTED, 24V	LG-FX-XXX-X	115V	1	0.09	0.36
2	EVAPORATOR FAN	RF-FA-XXXX	115V	1	0.17	0.34

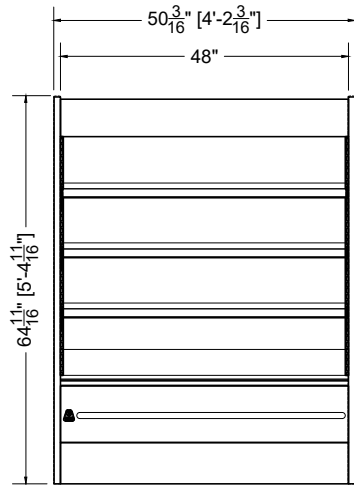
CIRCUIT#1 (LIGHTS) TOTAL AMPS: 0.36 VOLTAGE: 115/1/60 CONNECTION: HARDWIRED
 CIRCUIT#2 (FANS) TOTAL AMPS: 0.34 VOLTAGE: 115/1/60 CONNECTION: HARDWIRED
 MODEL: MDC-64LS APPLICATION: DELI BTUH: 4725 EVAP TEMP: 24°F
 DEFROST: TIME-OFF, 4/40MIN, 47° TEMP TERMINATION

PACKOUT VOLUME: 29.18 CUBIC FT.
 INTERNAL VOLUME: 35.69 CUBIC FT.

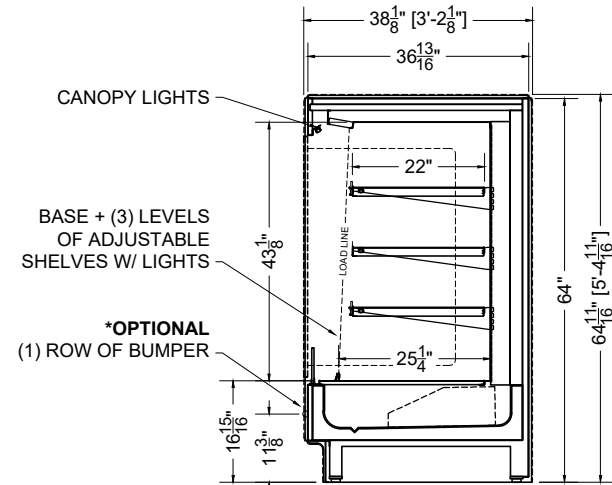
CONFORMS TO UL STD 471.
 CONFORMS TO NSF STD 7.
 CERTIFIED TO CAN/CSA STD C22.2 NO. 120.



CUSTOMER SIDE
PLAN MECHANICAL VIEW



FRONT VIEW



SECTION VIEW

