

PLAN MECHANICAL VIEW

04.0-MDC-HT02-H (REAR CONTROLS)

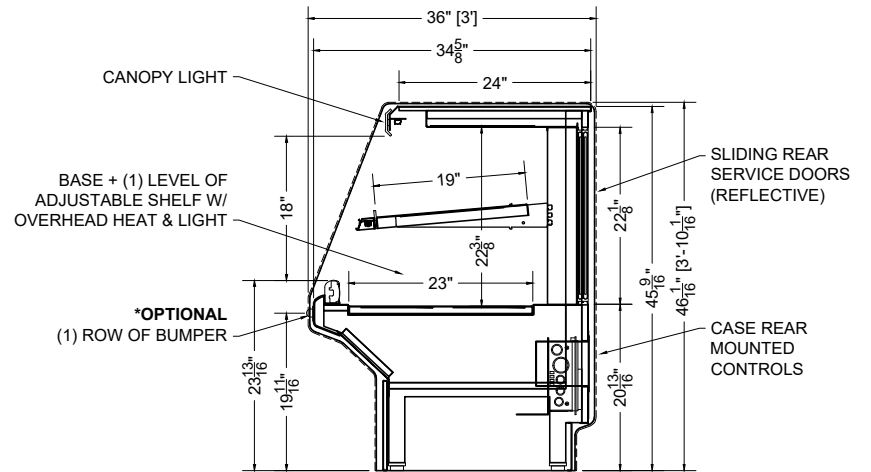
								<i>GRANDE</i>	
QTY	DESCRIPTION	PART NUMBER	VOLTAGE	PHASE	AMPS	TOTAL AMPS	L1	L2	
2	45° LED 3500K, FROSTED, 24V	LG-FX-XXX-X	115V	1	0.09	0.18	0.18	---	
1	FOIL HEATER, CANOPY, 4"	FS-HT-0514-A	208V	1	3.60	3.60	3.60	3.60	
1	FOIL HEATER, SHELF, 4"	FS-HT-0514-A	208V	1	3.60	3.60	3.60	3.60	
2	FOIL HEATER, BASE DECK, 4"	FS-HT-0274-A	208V	1	2.50	5.00	5.00	5.00	
CIRCUIT#1 (LOAD CENTER)		TOTAL AMPS: (L1 = 12.38 / L2 = 12.20)		VOLTAGE: 208/1/60, 3-WIRE		CONNECTION: HARDWIRED			

INTERNAL VOLUME: 14.54 CUBIC FT.

CONFORMS TO UL STD 197.  
CONFORMS TO NSF STD 4.  
CERTIFIED TO CAN/CSA STD  
C22.2 NO. 120.



IMPORTANT NOTE:  
CUSTOMER TO SET CONTROLLERS IN STORE BASED ON OPTIMUM PRODUCT TEMPERATURE AND STORE ENVIRONMENT



SECTION VIEW

