

CUSTOMER SIDE
PLAN MECHANICAL VIEW

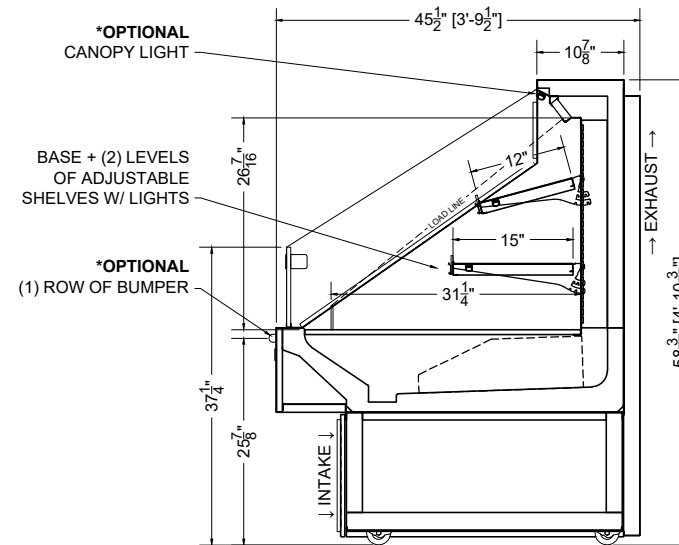
04.0-ODC-03S-S (WITH CASTERS, SELF-CONTAINED)

QTY	DESCRIPTION	PART NUMBER	VOLTAGE	PHASE	AMPS	TOTAL AMPS
3	45° LED 3500K, FROSTED, 24V	LG-FX-XXX-X	115V	1	0.09	0.27
2	EVAPORATOR FAN	RF-FA-XXXX	115V	1	0.17	0.34
1	CONDENSATE EVAP PAN / 800W / HALF	EL-EV-XXXX	115V	1	6.90	6.90
1	CONDENSING UNIT	RF-CU-0480-A	115V	1	10.90	10.90

CIRCUIT#1 TOTAL AMPS: 18.41 VOLTAGE: 115/1/60 CONNECTION: L5-30P
 PACKOUT VOLUME: 13.44 CUBIC FT. INTERNAL VOLUME: 21.22 CUBIC FT.

* OPTIONAL COMPONENT LOAD INCLUDED

CONFORMS TO UL STD 471.
 CONFORMS TO NSF STD 7.
 CERTIFIED TO CAN/CSA STD C22.2 NO. 120.



SECTION VIEW

