

PLAN MECHANICAL VIEW

04.0-ODC-TS-S (WITH CASTERS, SELF-CONTAINED)

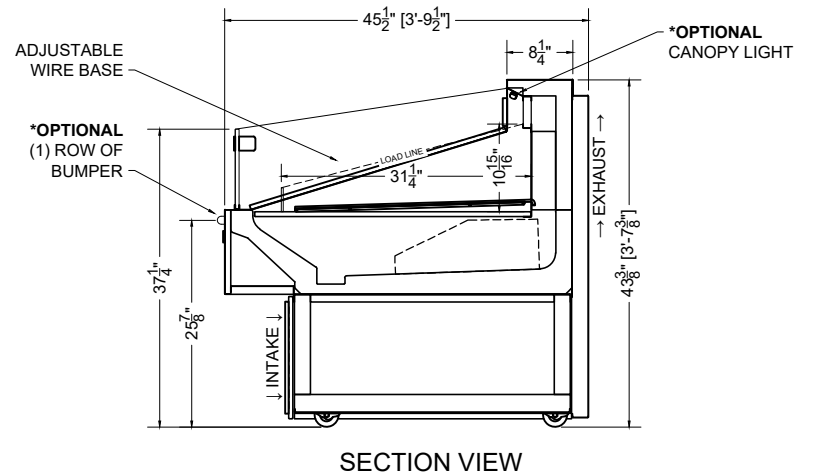
GILA

| QTY | DESCRIPTION                       | PART NUMBER  | VOLTAGE | PHASE | AMPS | TOTAL AMPS |
|-----|-----------------------------------|--------------|---------|-------|------|------------|
| 1   | 45° LED 3500K, FROSTED, 24V       | LG-FX-XXX-X  | 115V    | 1     | 0.09 | 0.09       |
| 2   | EVAPORATOR FAN                    | RF-FA-XXXX   | 115V    | 1     | 0.17 | 0.34       |
| 1   | CONDENSATE EVAP PAN / 800W / HALF | EL-EV-XXXX   | 115V    | 1     | 6.90 | 6.90       |
| 1   | CONDENSING UNIT                   | RF-CU-0375-A | 115V    | 1     | 8.24 | 8.24       |

CIRCUIT#1 TOTAL AMPS: 15.57 VOLTAGE: 115V/60 CONNECTION: L5-20P  
 PACKOUT VOLUME: 6.14 CUBIC FT.  
 INTERNAL VOLUME: 12.65 CUBIC FT.

\* OPTIONAL COMPONENT LOAD INCLUDED

CONFORMS TO UL STD 471.  
 CONFORMS TO NSF STD 7.  
 CERTIFIED TO CAN/CSA STD C22.2 NO. 120.



SECTION VIEW

PROJ SPECIFICATION SHEET

Des 04.0-ODC-TS-S Tall Open Display Case (W/ CASTERS, S/C)

Name AME Dwg# 037926 Rev #01- 12/12/23

CONFIDENTIAL DOCUMENT: THIS DRAWING IS CONFIDENTIAL AND THE PROPERTY OF SOUTHERN CASEARTS, INC AND IS NOT TO BE REPRODUCED OR EXCHANGED WITH ANY OTHER PERSON OR COMPANY WITHOUT THE EXPRESS WRITTEN CONSENT OF SOUTHERN CASEARTS, INC.

COPYRIGHT ©2023 SOUTHERN CASEARTS, INC. ALL RIGHTS RESERVED

1/2" = 1'

DRAWING DETAILS SUBJECT TO CHANGE DURING THE ENGINEERING PROCESS



SOUTHERN CaseArts