

PLAN MECHANICAL VIEW

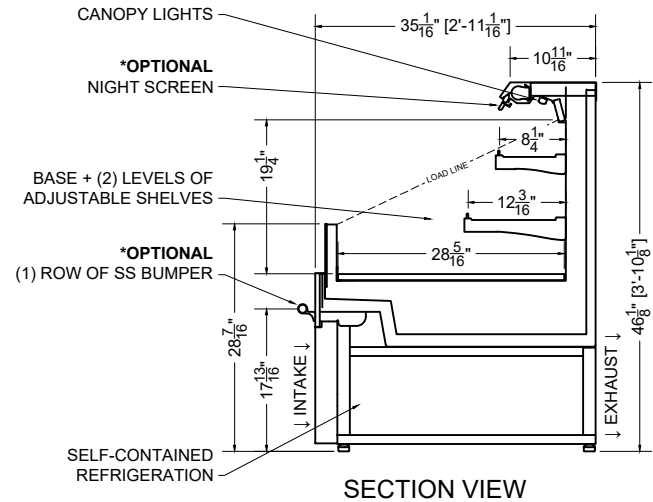
04.1-ODC-46AN-S (SELF-CONTAINED)

MARQUETTE

QTY	DESCRIPTION	PART NUMBER	VOLTAGE	PHASE	AMPS	TOTAL AMPS
3	45° LED 4000K 24V	LG-FX-XXX-X	115V	1	0.50	1.50
2	EVAPORATOR FAN	AFXXX	115V	1	0.08	0.16
1	COMPRESSOR	---	115V	1	6.96	6.96
2	CONDENSER COIL FAN MOTOR	---	115V	1	0.20	0.40
1	EVAP PAN	---	115V	1	6.09	6.09

CIRCUIT#1 TOTAL AMPS: 15.11 VOLTAGE: 115/1/60 CONNECTION: 5-20P
 MODEL: ODC-46AN APPLICATION: DELI BTUH: 4692 EVAP TEMP: 14°F
 DEFROST: TIME-OFF, 4/45MIN, 50° TEMP TERMINATION
 * R290 (PROPANE) REFRIGERATION AVAILABLE

PACKOUT VOLUME: 11.24 CUBIC FT.
 INTERNAL VOLUME: 14.26 CUBIC FT.



SECTION VIEW

