

PLAN MECHANICAL VIEW

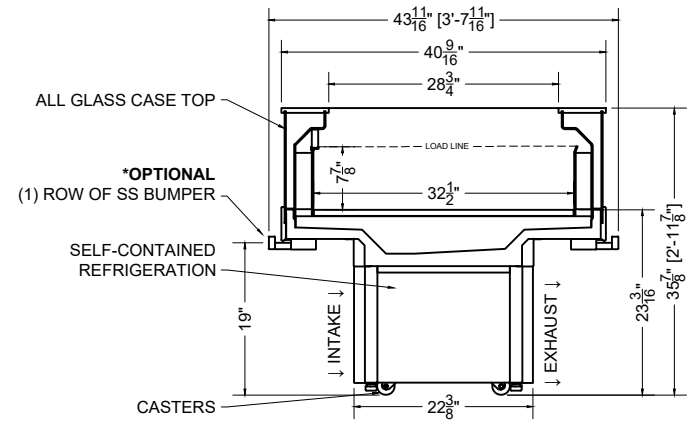
04.1-SAR-36ASM-S (SELF-CONTAINED)

PINE

QTY	DESCRIPTION	PART NUMBER	VOLTAGE	PHASE	AMPS	TOTAL AMPS
2	EVAPORATOR FAN	AFXXX	115V	1	0.08	0.16
1	COMPRESSOR	---	115V	1	4.68	4.68
1	CONDENSER COIL FAN MOTOR	---	115V	1	0.20	0.20
1	EVAP PAN	---	115V	1	3.48	3.48

CIRCUIT#1 TOTAL AMPS: 8.52 VOLTAGE: 115/1/60 CONNECTION: 5-15P  
 MODEL: SAR-36ASM APPLICATION: DELI BTUH: 3849 EVAP TEMP: 14°F  
 DEFROST: TIME-OFF, 4/45MIN, 50° TEMP TERMINATION  
 \* R290 (PROPANE) REFRIGERATION AVAILABLE

PACKOUT VOLUME: 7.33 CUBIC FT.  
 INTERNAL VOLUME: 11.52 CUBIC FT.



SECTION VIEW

