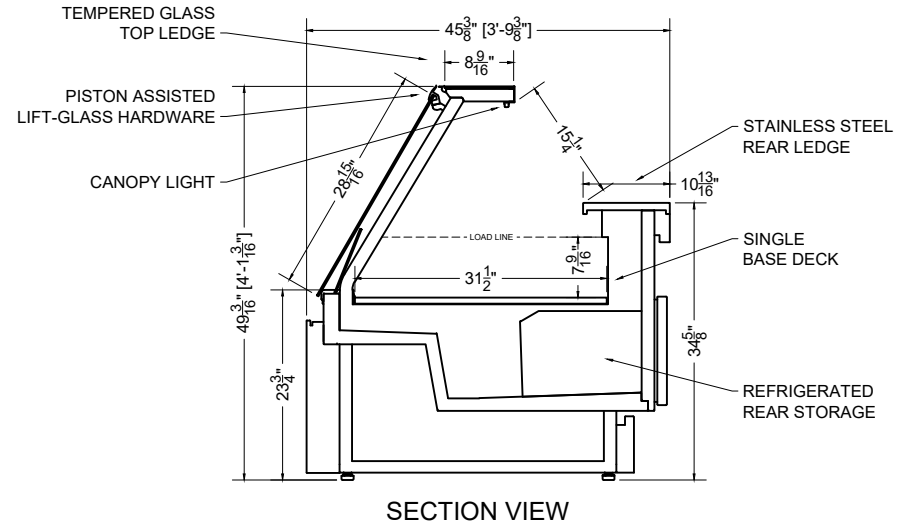


PLAN MECHANICAL VIEW



SECTION VIEW

04.1-SCS-49ASIR-R

CORONADO

QTY	DESCRIPTION	PART NUMBER	VOLTAGE	PHASE	AMPS	TOTAL AMPS
1	45" LED 2700K 24V	LG-FX-XXX-X	115V	1	0.50	0.50
1	EVAPORATOR FAN	AFXXX	115V	1	0.08	0.08
1	AIR SWEEP FAN	AFXXX	115V	1	0.08	0.08

CIRCUIT#1 (LIGHTS)	TOTAL AMPS:0.50	VOLTAGE:115/1/60	CONNECTION:HARDWIRED
CIRCUIT#2 (FANS)	TOTAL AMPS:0.08	VOLTAGE:115/1/60	CONNECTION:HARDWIRED
CIRCUIT#3 (ANTI-COND.)	TOTAL AMPS:0.08	VOLTAGE:115/1/60	CONNECTION:HARDWIRED
MODEL:SCS-49ASIR	APPLICATION: FRESH MEAT	BTUH:2346	EVAP TEMP: 14°F
DEFROST: TIME-OFF, 4/45MIN, 50° TEMP TERMINATION			

PACKOUT VOLUME: 6.48 CUBIC FT.  
INTERNAL VOLUME: 17.43 CUBIC FT.  
REAR STORAGE: 4.23 CUBIC FT.

