

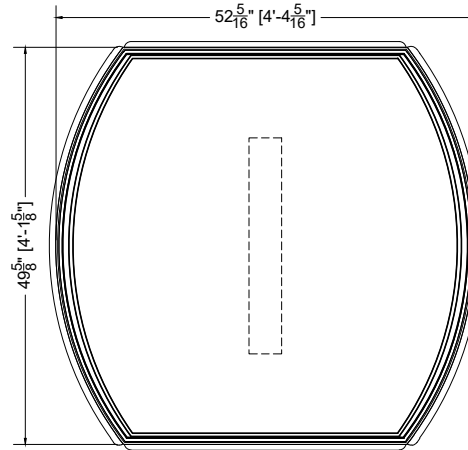
CONFORMS TO UL STD 197.  
 CONFORMS TO NSF STD 4.  
 CERTIFIED TO CAN/CSA STD  
 C22.2 NO. 120.



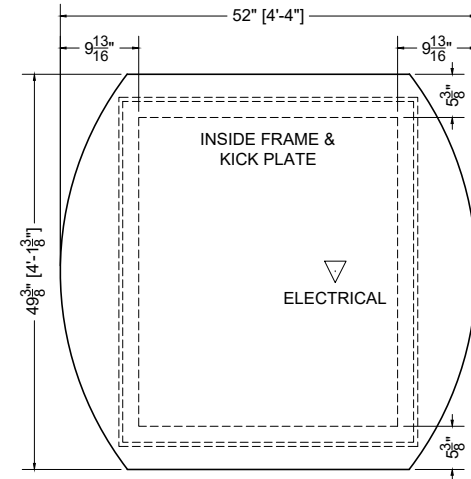
04.3-FSE-HLI-H

QTY	DESCRIPTION	PART NUMBER	VOLTAGE	PHASE	AMPS	TOTAL AMPS	L1	L2
20	12" LED 3500K FROSTED, 24V	LG-FX-XXX-X	115V	1	0.02	0.40	0.40	---
2	FOIL HEATER, BASE DECK, RADIUS	FS-HT-0848	208V	1	4.94	9.88	9.88	9.88
4	FOIL HEATER, BASE DECK, RADIUS	FS-HT-0263	208V	1	3.48	13.92	13.92	13.92

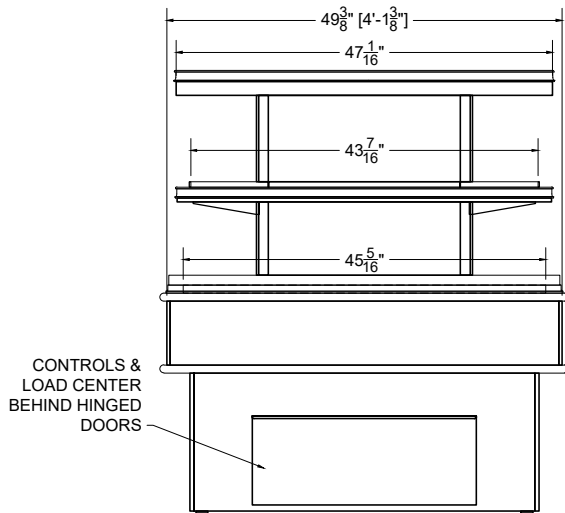
CIRCUIT#1 (LOAD CENTER) TOTAL AMPS: (L1 = 24.20 / L2 = 23.80) VOLTAGE: 208V/160, 3-WIRE CONNECTION: HARDWIRED



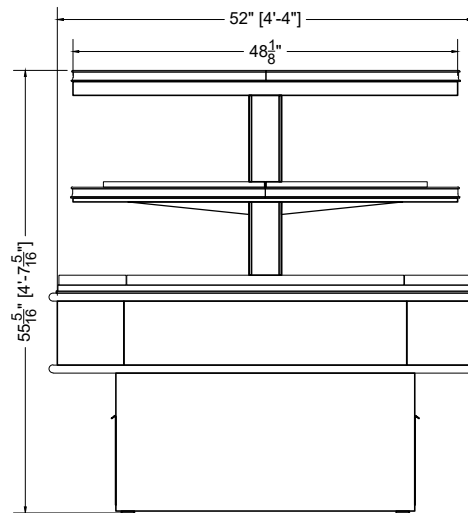
PLAN VIEW



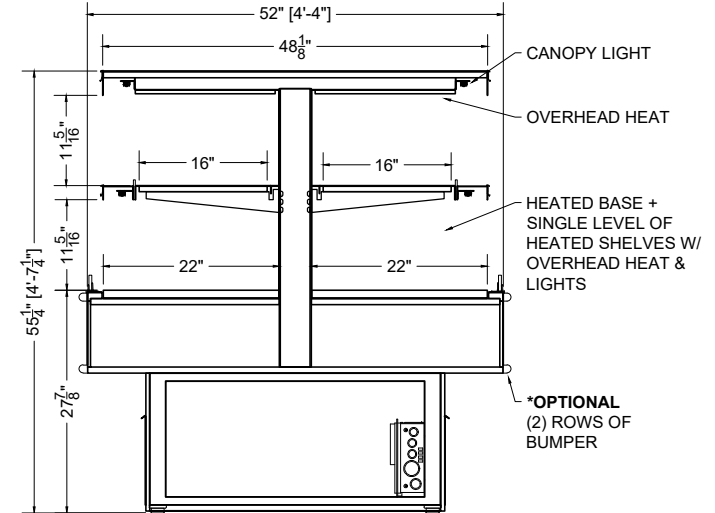
PLAN MECHANICAL VIEW



END VIEW



FRONT VIEW



SECTION VIEW

PROJ SPECIFICATION SHEET

Des 04.3-FSE-HIL-H Hot Island Display Case

Name AME Dwg# 037462 Rev #IR - 08/25/23

CONFIDENTIAL DOCUMENT: THIS DRAWING IS CONFIDENTIAL AND THE PROPERTY OF SOUTHERN CASEARTS, INC AND IS NOT TO BE REPRODUCED OR EXCHANGED WITH ANY OTHER PERSON OR COMPANY WITHOUT THE EXPRESS WRITTEN CONSENT OF SOUTHERN CASEARTS, INC.

COPYRIGHT ©2022 SOUTHERN CASEARTS, INC. ALL RIGHTS RESERVED

1/2" = 1'

DRAWING DETAILS SUBJECT TO CHANGE DURING THE ENGINEERING PROCESS



SOUTHERN CaseArts