

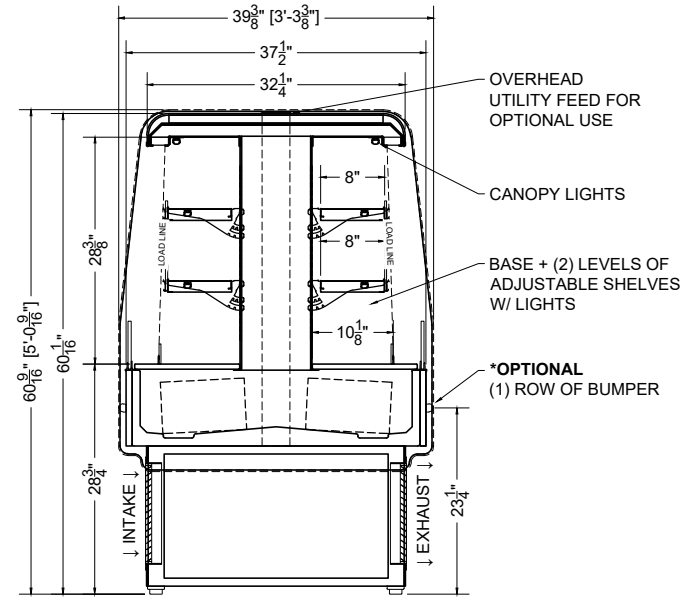
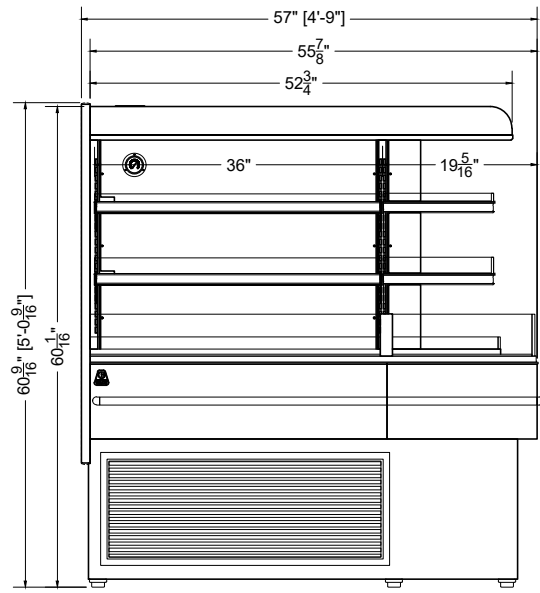
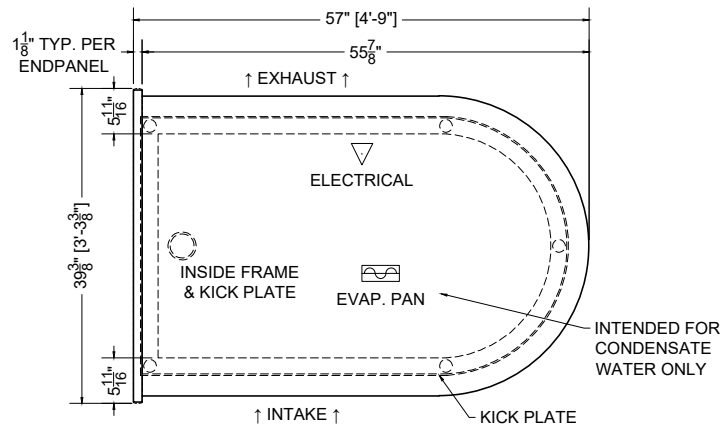
04.5-MDI-3N1F-S = 3' CENTER + (1) FULL-RADIUS END (SELF-CONTAINED)

PLACID

QTY	DESCRIPTION	PART NUMBER	VOLTAGE	PHASE	AMPS	TOTAL AMPS
4	12" LED 3500K, FROSTED, 24V	LG-FX-XXX-X	115V	1	0.02	0.08
6	34" LED 3500K, FROSTED, 24V	LG-FX-XXX-X	115V	1	0.07	0.42
6	EVAPORATOR FAN	AFXXX	115V	1	0.24	1.44
1	CONDENSING UNIT	RF-CU-0388-A	208/230V	1	9.80	9.80
1	CONDENSATE EVAP PAN / 1500W / FULL	EL-EV-XXXX	208V	1	7.21	7.21
1	CONDENSATE PUMP	RF-MS-0442	115V	1	2.0	2.00

CIRCUIT#1 TOTAL AMPS: 18.95 VOLTAGE: 208-230/1/60, 3-WIRE CONNECTION: L14-30P  
 SHIPPING DIMENSIONS: 68" X 48" X 72" PACKOUT VOLUME: 16.42 CUBIC FT.  
 WEIGHT: 820 LBS INTERNAL VOLUME: 22.82 CUBIC FT.  
 \* OPTIONAL COMPONENT LOAD INCLUDED: EVAP PAN CAN BE REPLACED WITH PUMP

CONFORMS TO UL STD 471.  
 CONFORMS TO NSF STD 7.  
 CERTIFIED TO CAN/CSA STD  
 C22.2 NO. 120.



PROJ SPECIFICATION SHEET

Des 04.5-MDI-3N1F-S - (1) Full-Radius End (S/C)

Name AME Dwg# 038423 Rev #09-05/01/24

CONFIDENTIAL DOCUMENT: THIS DRAWING IS CONFIDENTIAL AND THE PROPERTY OF SOUTHERN CASEARTS, INC AND IS NOT TO BE REPRODUCED OR EXCHANGED WITH ANY OTHER PERSON OR COMPANY WITHOUT THE EXPRESS WRITTEN CONSENT OF SOUTHERN CASEARTS, INC.

COPYRIGHT ©2023 SOUTHERN CASEARTS, INC. ALL RIGHTS RESERVED

1/2" = 1'

DRAWING DETAILS SUBJECT TO CHANGE DURING THE ENGINEERING PROCESS



SOUTHERN CaseArts