

PLAN MECHANICAL VIEW

04.6-SAR-41TSDS-S (SELF-CONTAINED, WITH DOORS)

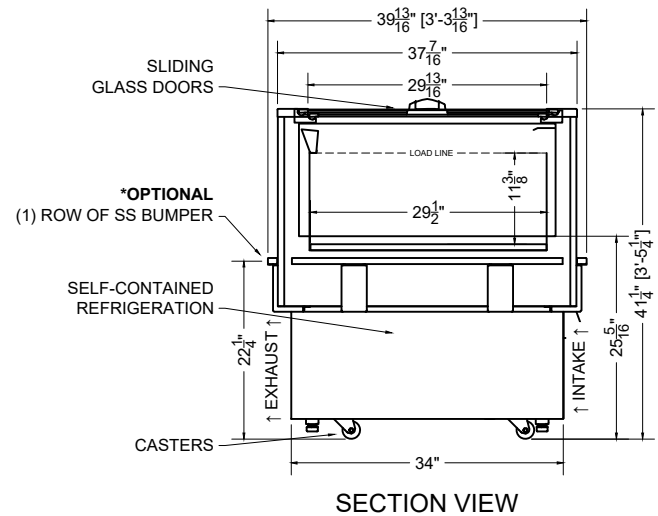
CIBOLA

QTY	DESCRIPTION	PART NUMBER	VOLTAGE	PHASE	AMPS	TOTAL AMPS
1	EVAPORATOR FAN	AFXXX	208-230V	1	0.08	0.08
2	COMPRESSOR	---	208-230V	1	2.21	4.42
2	CONDENSER COIL FAN MOTOR	---	208-230V	1	0.10	0.20
1	EVAP PAN	---	208-230V	1	1.82	1.82
1	DRAIN HEATERS	---	208-230V	1	1.14	1.14
1	ANTI-COND. HEATERS	---	208-230V	1	0.68	0.68
2	DEFROST HEATERS	---	208-230V	1	5.00	10.00

\*NOT INCLUDED IN TOTAL

CIRCUIT#1 TOTAL AMPS: 13.91 VOLTAGE: 208-230/1/60 CONNECTION: 6-20P  
 \* NOT ALL ELECTRICAL COMPONENTS RUN CONCURRENTLY (COMPRESSOR WILL NOT RUN DURING DEFROST)  
 MODEL: SAR-41TSDS APPLICATION: DUAL BTUH: 1781/2900 EVAP TEMP: -31/14°F  
 DEFROST: TIME-OFF, 4/45MIN, 50° TEMP TERMINATION  
 \* R290 (PROPANE) REFRIGERATION AVAILABLE

PACKOUT VOLUME: 10.75 CUBIC FT.  
 INTERNAL VOLUME: 14.94 CUBIC FT.



SECTION VIEW

