

05.0-FSE-CHSI-H

SENECA

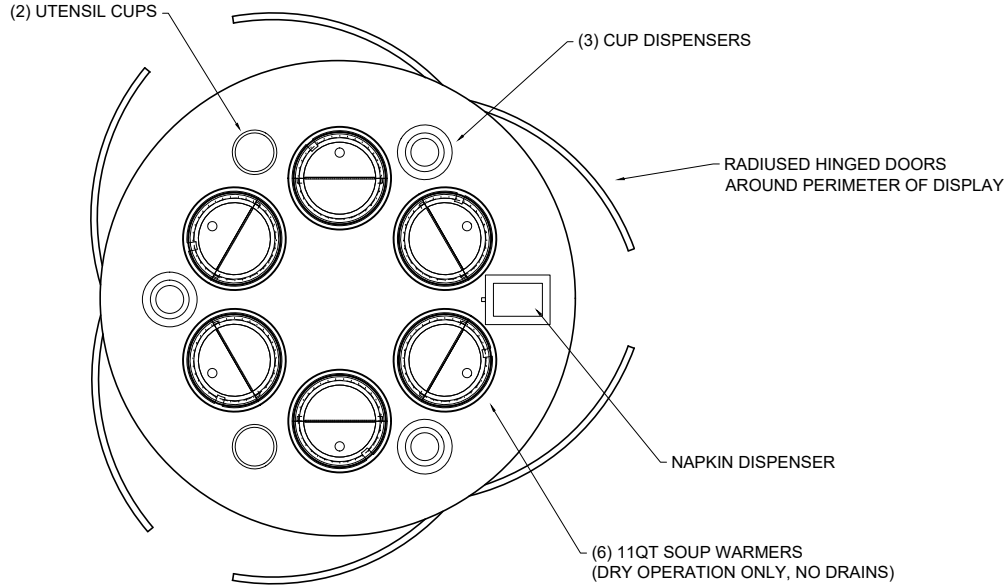
QTY	DESCRIPTION	PART NUMBER	VOLTAGE	PHASE	AMPS	TOTAL AMPS
6	11QT SOUP WARMER, NO DRAIN	FS-HT-0836-A06-A	208V	1	1.8	10.80
CIRCUIT#1		TOTAL AMPS:10.80	VOLTAGE:208-230/1/60	CONNECTION:HARDWIRED		

CONFORMS TO UL STD 197.
CONFORMS TO NSF STD 4.
CERTIFIED TO CAN/CSA STD
C22.2 NO. 120.

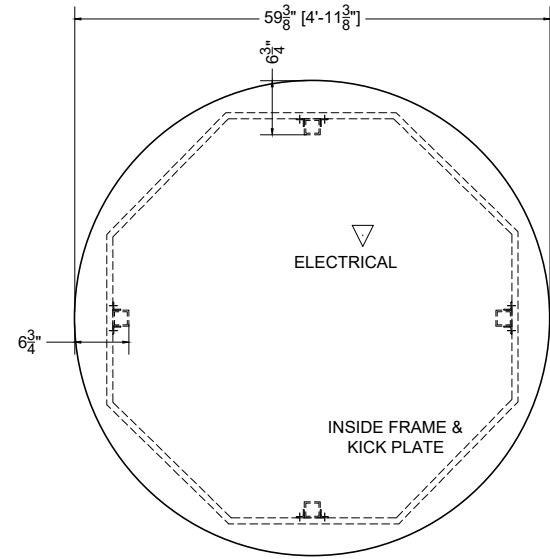


SOUP WELL CAPACITY:
(6) 11-QUART SOUP WARMERS
(DRY OPERATION ONLY, NO DRAINS)

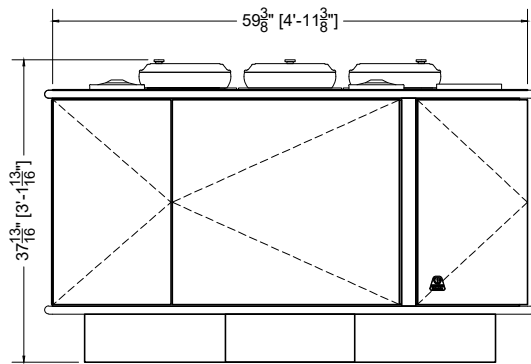
*(1) SET OF POTS W/ HINGED LIDS
INCLUDED



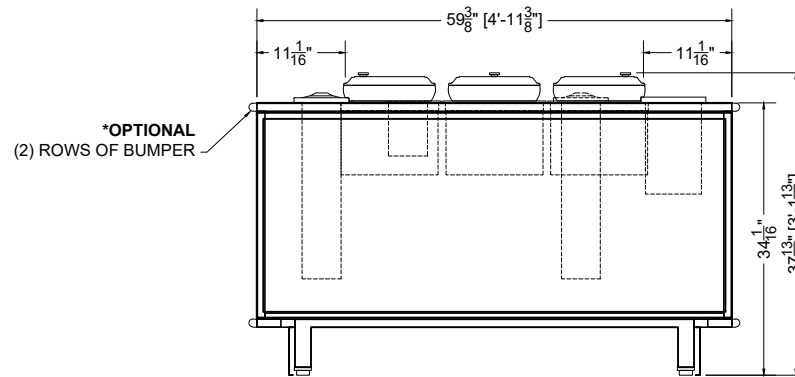
PLAN VIEW



PLAN MECHANICAL VIEW



FRONT VIEW



SECTION VIEW

PROJ SPECIFICATION SHEET

Des: 05.0-FSE-CHSI-H Circular Hot Soup Island

Name AME Dwg# 037751 Rev #01 - 10/05/23

CONFIDENTIAL DOCUMENT: THIS DRAWING IS CONFIDENTIAL AND THE PROPERTY OF SOUTHERN CASEARTS, INC AND IS NOT TO BE REPRODUCED OR EXCHANGED WITH ANY OTHER PERSON OR COMPANY WITHOUT THE EXPRESS WRITTEN CONSENT OF SOUTHERN CASEARTS, INC.

COPYRIGHT ©2023 SOUTHERN CASEARTS, INC. ALL RIGHTS RESERVED

1/2" = 1'

DRAWING DETAILS SUBJECT TO CHANGE DURING THE ENGINEERING PROCESS



SOUTHERN CaseArts