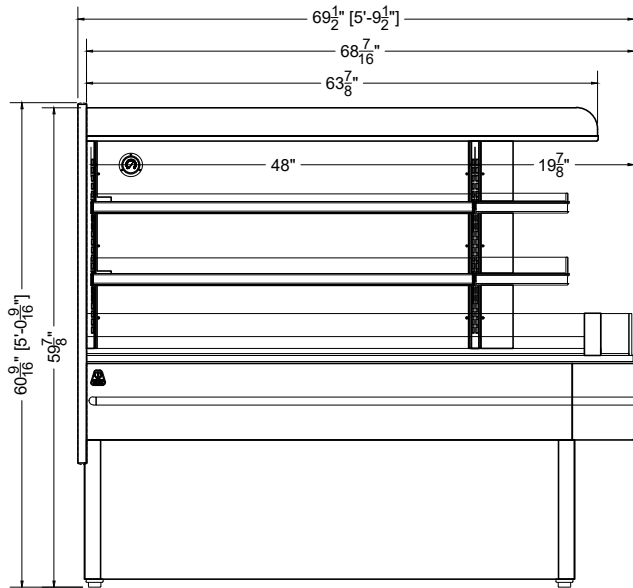
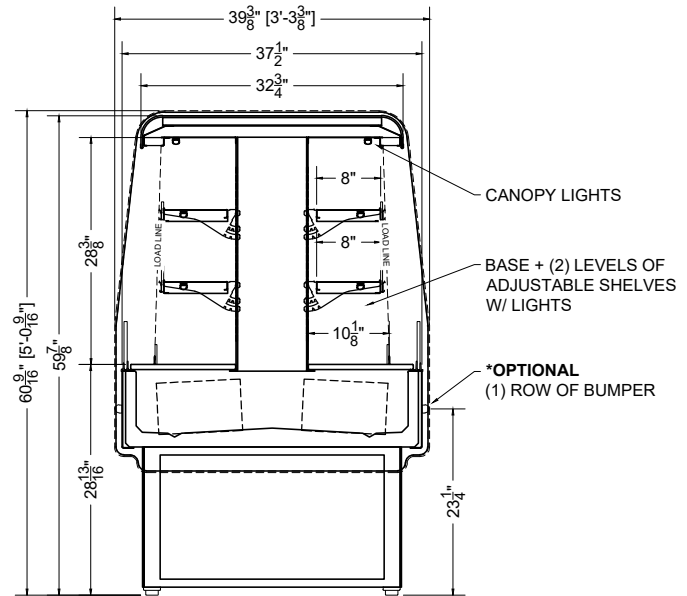


PLAN MECHANICAL VIEW



SIDE VIEW



SECTION VIEW

05.6-MDI-3N1P-R = 4' CENTER + (1) PARTIAL-RADIUS END

PLACID

QTY	DESCRIPTION	PART NUMBER	VOLTAGE	PHASE	AMPS	TOTAL AMPS
2	12" LED 3500K, FROSTED, 24V	LG-FX-XXX-X	115V	1	0.02	0.04
2	18" LED 3500K, FROSTED, 24V	LG-FX-XXX-X	115V	1	0.03	0.06
6	45" LED 3500K, FROSTED, 24V	LG-FX-XXX-X	115V	1	0.09	0.54
8	EVAPORATOR FAN	AFXXX	115V	1	0.24	1.92

CIRCUIT#1 (LIGHTS) TOTAL AMPS:0.64 VOLTAGE:115/1/60 CONNECTION:HARDWIRED
 CIRCUIT#2 (FANS) TOTAL AMPS:1.92 VOLTAGE:115/1/60 CONNECTION:HARDWIRED
 MODEL:MDI-3N APPLICATION:DELI BTUH:7910 EVAP TEMP: 20°F
 DEFROST: TIME-OFF, 4/40MIN, 47° TEMP TERMINATION
 SHIPPING DIMENSIONS: 80" X 48" X 72"
 WEIGHT: 860 LBS

PACKOUT VOLUME: 21.65 CUBIC FT.
 INTERNAL VOLUME: 29.08 CUBIC FT.

CONFORMS TO UL STD 471.
 CONFORMS TO NSF STD 7.
 CERTIFIED TO CAN/CSA STD C22.2 NO. 120.

