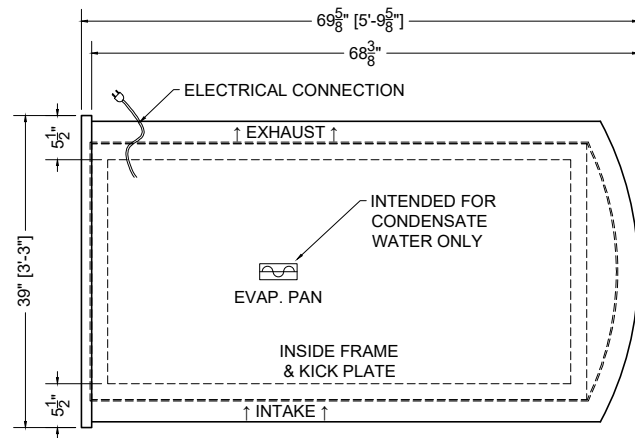


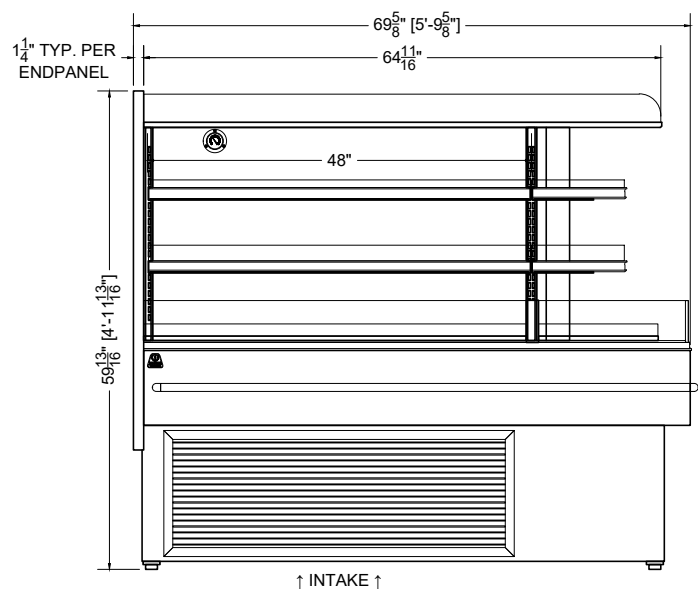
05.6-MDI-3N1P-S = 4' CENTER + (1) PARTIAL RADIUS END (SELF-CONTAINED)

QTY	DESCRIPTION	PART NUMBER	VOLTAGE	PHASE	AMPS	TOTAL AMPS
2	12" LED 3500K, FROSTED, 24V	LG-FX-XXX-X	115V	1	0.02	0.04
2	18" LED 3500K, FROSTED, 24V	LG-FX-XXX-X	115V	1	0.03	0.06
6	45" LED 3500K, FROSTED, 24V	LG-FX-XXX-X	115V	1	0.09	0.54
8	EVAPORATOR FAN	AFXXX	115V	1	0.24	1.92
1	CONDENSING UNIT	RF-CU-0419	208/230V	1	11.70	11.70
1	CONDENSATE EVAP PAN / 1500W / FULL	EL-EV-XXXX	208V	1	7.21	7.21
CIRCUIT#1		TOTAL AMPS:21.47	VOLTAGE:208-230/1/60, 3-WIRE		CONNECTION:L14-30P	

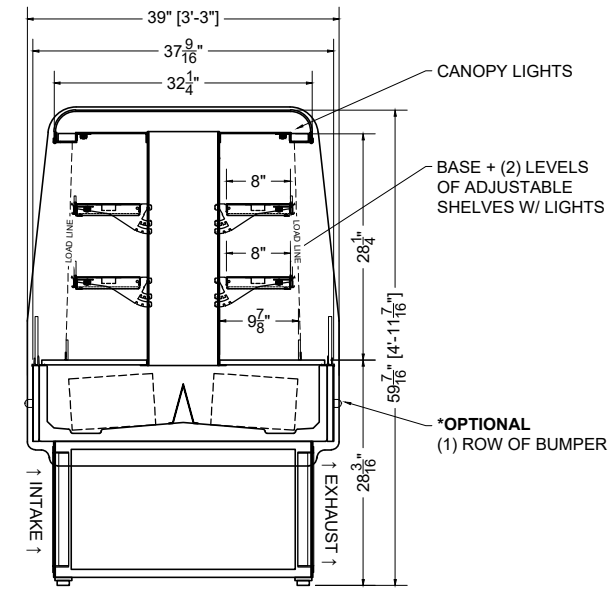
CONFORMS TO UL STD 471.
CONFORMS TO NSF STD 7.
CERTIFIED TO CAN/CSA STD
C22.2 NO. 120.



PLAN MECHANICAL VIEW



FRONT VIEW



SECTION VIEW

