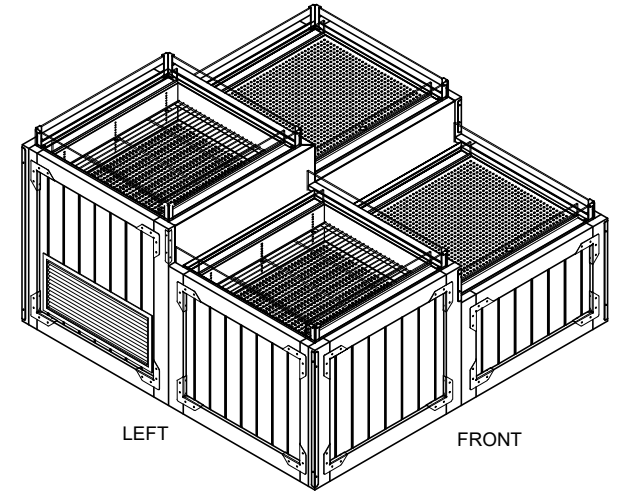
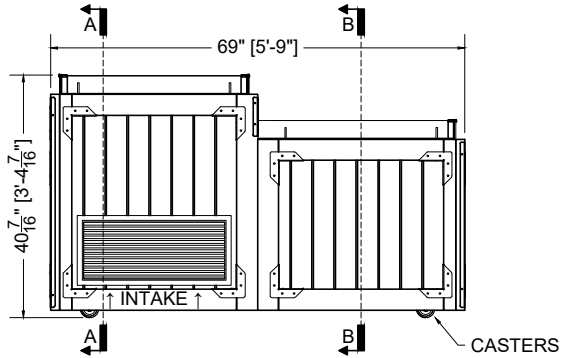


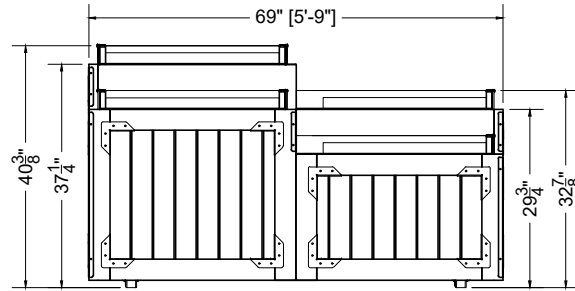
PLAN VIEW



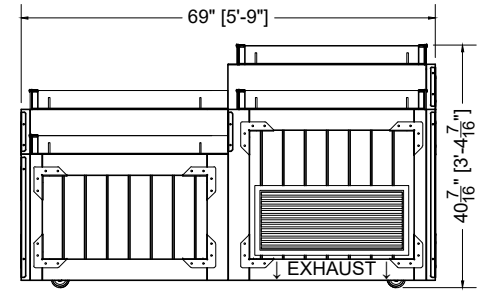
ISOMETRIC VIEW



LEFT VIEW



FRONT VIEW



RIGHT VIEW

05.8-SAR-BIN4-S (WITH CASTERS, SELF-CONTAINED)

SYCAMORE

QTY	DESCRIPTION	PART NUMBER	VOLTAGE	PHASE	AMPS	TOTAL AMPS
4	EVAPORATOR FAN	RF-FA-XXXX	115V	1	0.17	0.68
1	CONDENSING UNIT	RF-CU-0378-A	208/230V	1	5.75	5.75
1	CONDENSATE EVAP PAN / 1500W / FULL	EL-EV-XXXX	208V	1	7.21	7.21

CIRCUIT#1

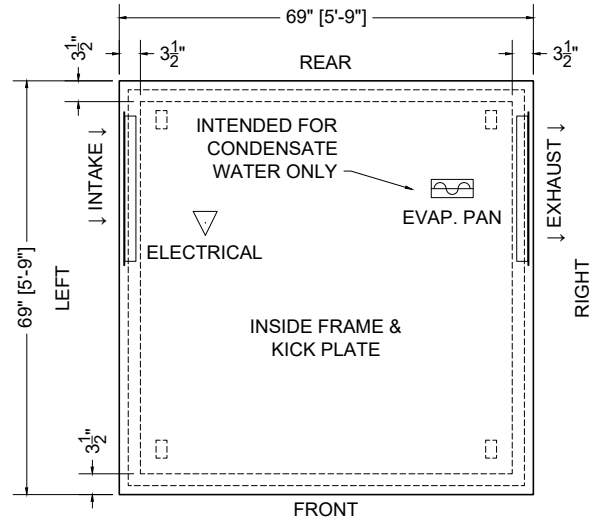
TOTAL AMPS:13.64

VOLTAGE:208-230/1/60, 3-WIRE CONNECTION:L14-20P

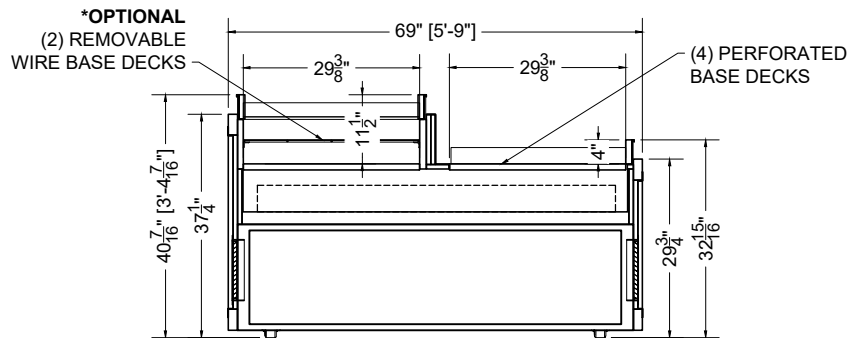
PACKOUT VOLUME: 11.02 CUBIC FT.

INTERNAL VOLUME: 18.06 CUBIC FT.

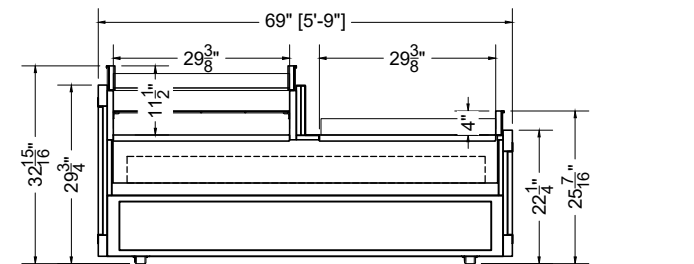
NOTICE:
THIS MERCHANDISER IS NOT INTENDED FOR THE DISPLAY OF POTENTIALLY HAZARDOUS FOODS.



PLAN MECHANICAL VIEW



SECTION A:A VIEW
HIGH & MID HEIGHT SECTIONS



SECTION B:B VIEW
MID & LOW HEIGHT SECTIONS

