

PLAN MECHANICAL VIEW

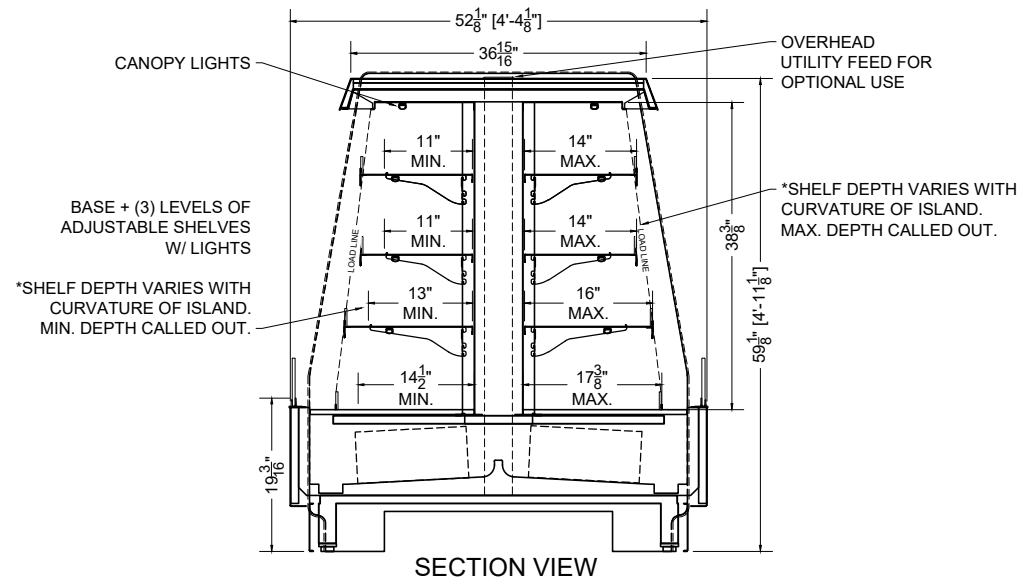
05.9-MDI-4T1-R

							CHAMPLAIN
QTY	DESCRIPTION	PART NUMBER	VOLTAGE	PHASE	AMPS	TOTAL AMPS	
6	7" LED 3500K, FROSTED, 24V	LG-FX-XXX-X	115V	1	0.01	0.06	
5	12" LED 3500K, FROSTED, 24V	LG-FX-XXX-X	115V	1	0.02	0.10	
1	18" LED 3500K, FROSTED, 24V	LG-FX-XXX-X	115V	1	0.03	0.03	
8	40" LED 3500K, FROSTED, 24V	LG-FX-XXX-X	115V	1	0.08	0.64	
10	EVAPORATOR FAN	AFXXX	115V	1	0.24	2.40	

CIRCUIT#1 (LIGHTS) TOTAL AMPS: 0.83 VOLTAGE: 115V/60 CONNECTION: HARDWIRED
 CIRCUIT#2 (FANS) TOTAL AMPS: 2.40 VOLTAGE: 115V/60 CONNECTION: HARDWIRED
 MODEL: MDI-4T1 APPLICATION: DELI BTUH: 15930 CONNECTION: HARDWIRED
 DEFROST: TIME-OFF, 4/40MIN, 47°F TEMP TERMINATION EVAP TEMP: 22°F
 SHIPPING DIMENSIONS: 86" X 60" X 70"
 WEIGHT: 1116 LBS

PACKOUT VOLUME: 38.92 CUBIC FT.
 INTERNAL VOLUME: 56.44 CUBIC FT.

CONFORMS TO UL STD 471.
 CONFORMS TO NSF STD 7.
 CERTIFIED TO CAN/CSA STD C22.2 NO. 120.



SECTION VIEW

