

HOT WELL CAPACITY:
 (4) FULL-SIZE STANDARD PANS 4" DEPTH
 (WET/DRY OPERATION, NO DRAINS)

*FOOD PAN INCLUSION **OPTIONAL**

CONFORMS TO UL STD 197.
 CONFORMS TO NSF STD 4.
 CERTIFIED TO CAN/CSA STD
 C22.2 NO. 120.

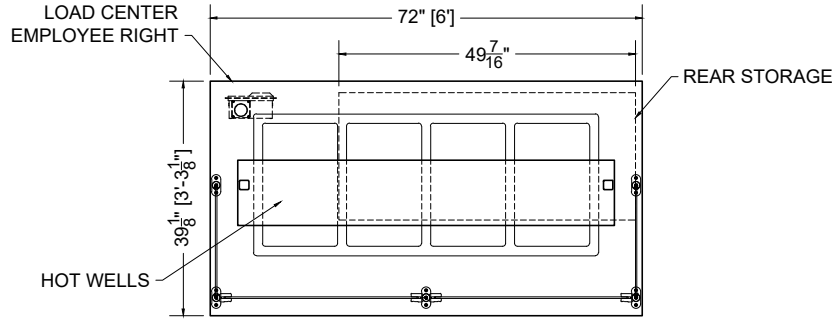


06.0-FSE-CSSS-H

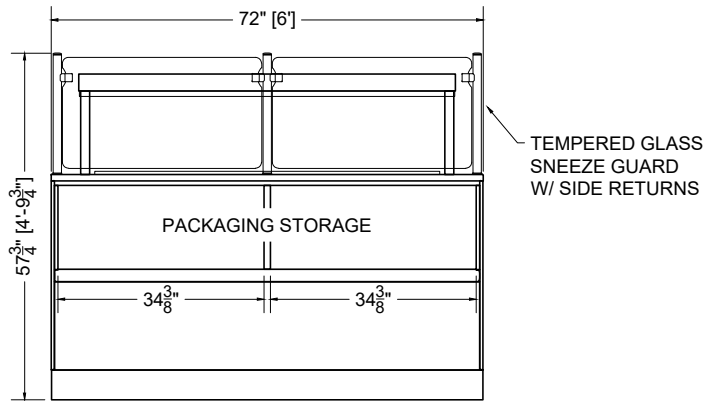
BRYCE

QTY	DESCRIPTION	PART NUMBER	VOLTAGE	PHASE	AMPS	TOTAL AMPS	L1	L2
4	12" LED 3500K, FROSTED, 24V	LG-FX-XXX-X	115V	1	0.02	0.08	0.08	---
1	OVERHEAD HEAT, HIGH WATT STRIP, 54"	FS-HT-0535-A	208V	1	6.01	6.01	6.01	6.01
1	4-PAN, FULL-SIZE, HOT WELL, NO DRAIN	FS-HT-0609-A01-A	208V	1	23.1	23.10	23.10	23.10
1	20A OUTLET, GFI	EL-MS-0397	115V	1	20.0	20.00	20.00	---
1	20A OUTLET, GFI	EL-MS-0397	115V	1	20.0	20.00	---	20.00

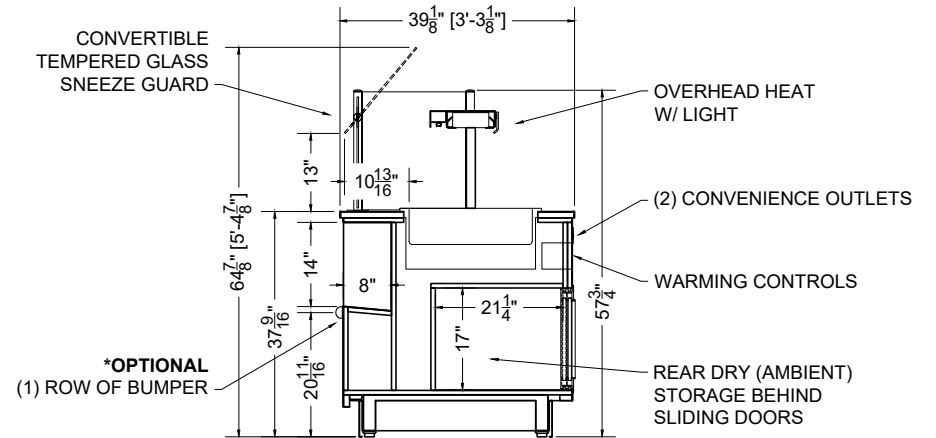
CIRCUIT#1 (LOAD CENTER) TOTAL AMPS:(L1 = 49.19 / L2 = 49.11) VOLTAGE:208/1/60, 3-WIRE CONNECTION:HARDWIRED
 FRONT STORAGE VOLUME: 4.54 CUBIC FT.
 REAR STORAGE VOLUME: 10.32 CUBIC FT.



PLAN VIEW



FRONT VIEW



SECTION VIEW

