

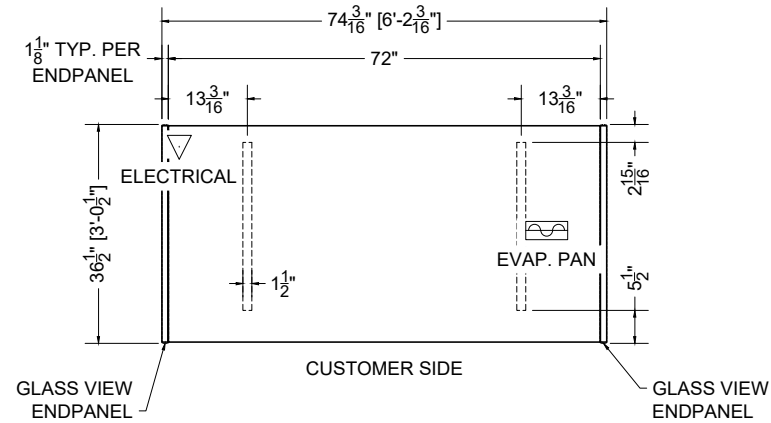
06.0-MDC-73LS-S (SELF-CONTAINED)

HUDSON

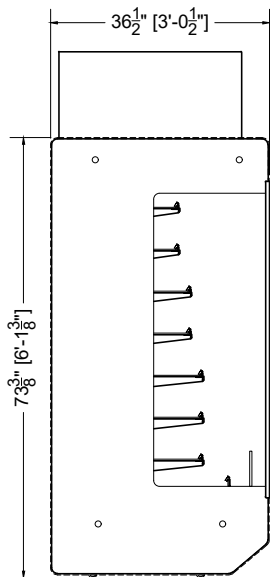
QTY	DESCRIPTION	PART NUMBER	VOLTAGE	PHASE	AMPS	TOTAL AMPS
1	67" LED 3500K, FROSTED, 24V	LG-FX-XXX-X	115V	1	0.13	0.13
3	EVAPORATOR FAN	RF-FA-XXXX	115V	1	0.17	0.51
1	CONDENSING UNIT	RF-CU-0419	208/230V	1	11.70	11.70
1	CONDENSATE EVAP PAN / 1500W / FULL	EL-EV-XXXX	208V	1	7.21	7.21
1	CONDENSATE PUMP	RF-MS-0442	115V	1	1.00	1.00

CIRCUIT#1 TOTAL AMPS:20.55 VOLTAGE:208-230/1/60, 3-WIRE CONNECTION:L14-30P
 PACKOUT VOLUME: 46.76 CUBIC FT.
 INTERNAL VOLUME: 64.01 CUBIC FT.

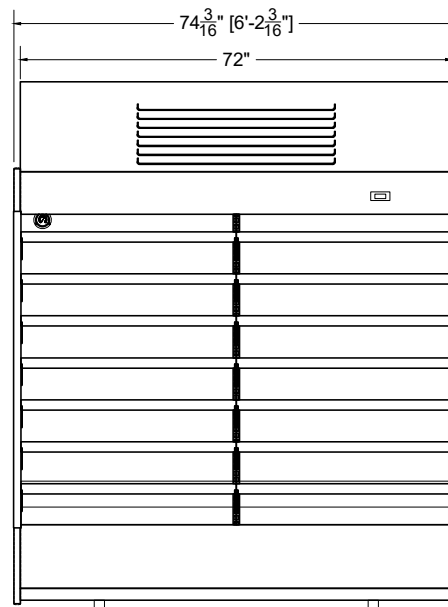
CONFORMS TO UL STD 471.
 CONFORMS TO NSF STD 7.
 CERTIFIED TO CAN/CSA STD
 C22.2 NO. 120.



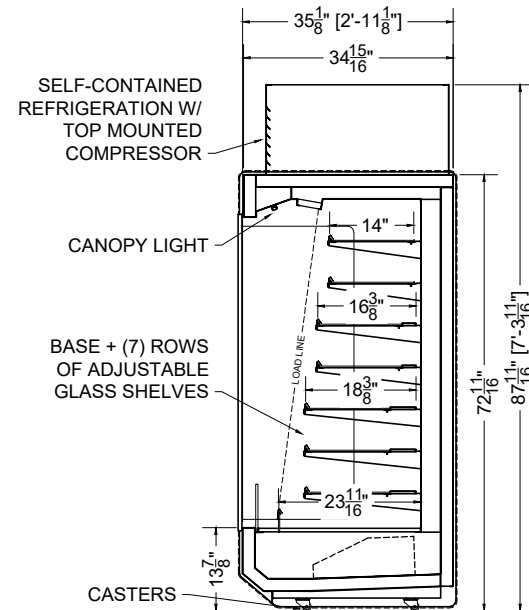
PLAN MECHANICAL VIEW



END VIEW



FRONT VIEW



SECTION VIEW

