

PLAN MECHANICAL VIEW

06.0-MDC-87LD-R

MCKENZIE

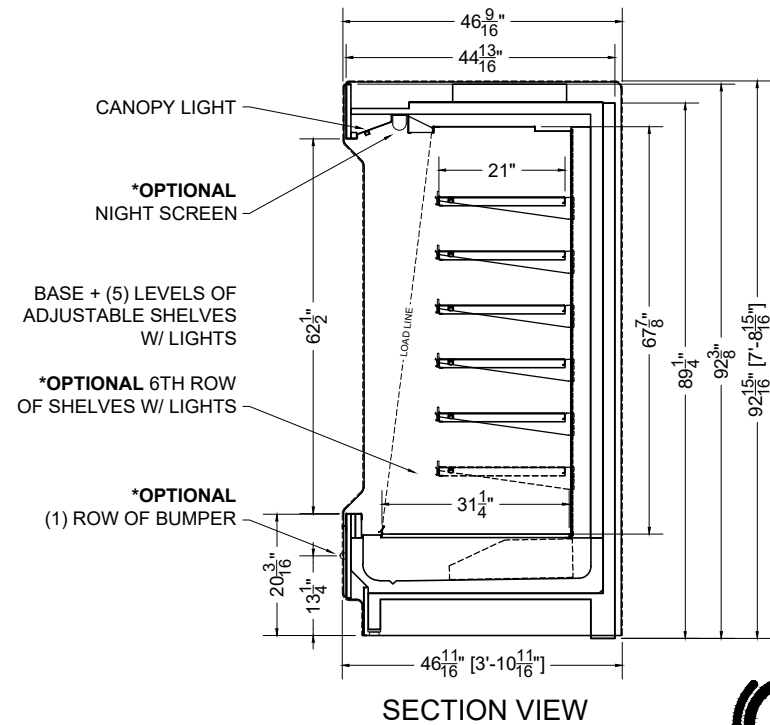
QTY	DESCRIPTION	PART NUMBER	VOLTAGE	PHASE	AMPS	TOTAL AMPS
14	34" LED 3500K, FROSTED, 24V	LG-FX-XXX-X	115V	1	0.07	0.98
3	EVAPORATOR FAN	RF-FA-XXXX	115V	1	0.17	0.51

CIRCUIT#1 (LIGHTS)	TOTAL AMPS:0.98	VOLTAGE:115/1/60	CONNECTION:HARDWIRED
CIRCUIT#2 (FANS)	TOTAL AMPS:0.51	VOLTAGE:115/1/60	CONNECTION:HARDWIRED
MODEL:MDC-87LD	APPLICATION:DELI	BTUH:11420	EVAP TEMP: 24°F
DEFROST: TIME-OFF, 4/40MIN, 47° TEMP TERMINATION			

PACKOUT VOLUME: 77.04 CUBIC FT.  
 INTERNAL VOLUME: 104.37 CUBIC FT.

\* OPTIONAL COMPONENT LOAD INCLUDED

CONFORMS TO UL STD 471.  
 CONFORMS TO NSF STD 7.  
 CERTIFIED TO CAN/CSA STD  
 C22.2 NO. 120.



PROJ SPECIFICATION SHEET

Des 06.0-MDC-87LD-R Low Nose Multi-Deck

Name AME Dwg# 037872 Rev #01- 11/27/23

CONFIDENTIAL DOCUMENT: THIS DRAWING IS CONFIDENTIAL AND THE PROPERTY OF SOUTHERN CASEARTS, INC AND IS NOT TO BE REPRODUCED OR EXCHANGED WITH ANY OTHER PERSON OR COMPANY WITHOUT THE EXPRESS WRITTEN CONSENT OF SOUTHERN CASEARTS, INC.

COPYRIGHT ©2023 SOUTHERN CASEARTS, INC. ALL RIGHTS RESERVED

3/8" = 1"

DRAWING DETAILS SUBJECT TO CHANGE DURING THE ENGINEERING PROCESS



SOUTHERN  
CaseArts