

PLAN MECHANICAL VIEW

06.0-MDC-HT02-H (REAR CONTROLS)

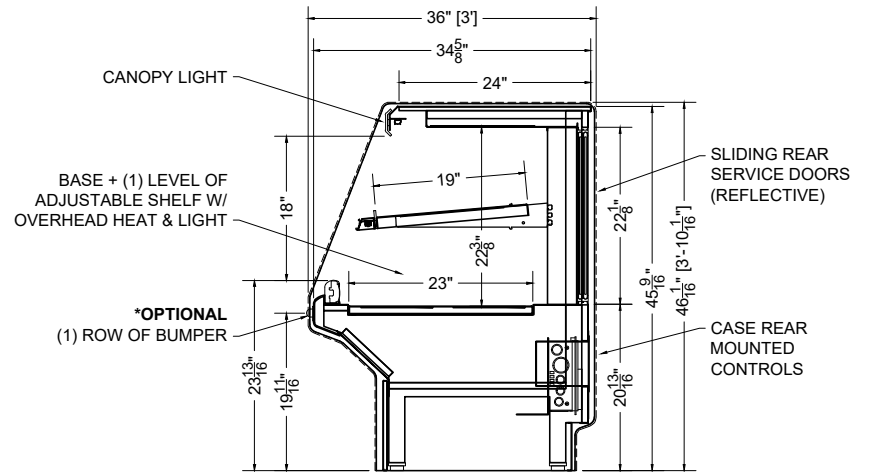
								<i>GRANDE</i>	
QTY	DESCRIPTION	PART NUMBER	VOLTAGE	PHASE	AMPS	TOTAL AMPS	L1	L2	
4	34" LED 3500K, FROSTED, 24V	LG-FX-XXX-X	115V	1	0.07	0.28	0.28	---	
1	FOIL HEATER, CANOPY, 6"	FS-HT-0508-A	208V	1	5.40	5.40	5.40	5.40	
1	FOIL HEATER, SHELF, 6"	FS-HT-0508-A	208V	1	5.40	5.40	5.40	5.40	
2	FOIL HEATER, BASE DECK, 6"	FS-HT-0364-A	208V	1	3.80	7.60	7.60	7.60	

CIRCUIT#1 (LOAD CENTER) TOTAL AMPS: (L1 = 18.68 / L2 = 18.40) VOLTAGE: 208/1/60, 3-WIRE CONNECTION: HARDWIRED INTERNAL VOLUME: 21.81 CUBIC FT.

CONFORMS TO UL STD 197.
CONFORMS TO NSF STD 4.
CERTIFIED TO CAN/CSA STD
C22.2 NO. 120.



IMPORTANT NOTE:
CUSTOMER TO SET CONTROLLERS IN STORE BASED ON OPTIMUM PRODUCT TEMPERATURE AND STORE ENVIRONMENT



SECTION VIEW

